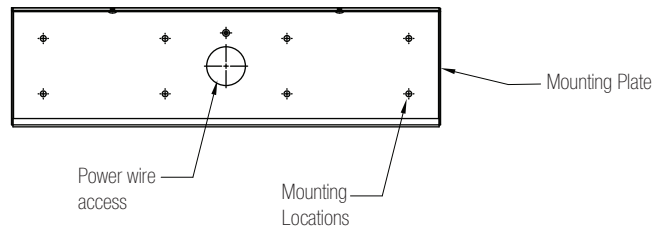


# Peak Large / Peak DE/DF Installation

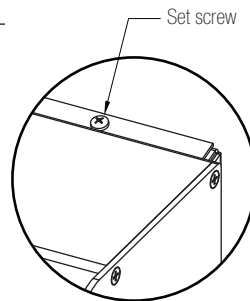
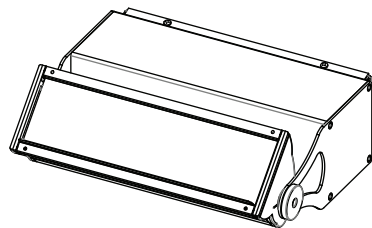
## Step 1: Layout/ Mounting

1. Layout J box/ mounting locations for fixtures.
2. Bring building power out from wall/ ceiling.
3. Remove mount plate from back of fixture and mount to wall/ ceiling.
4. Bring building power through center hole of mount plate.



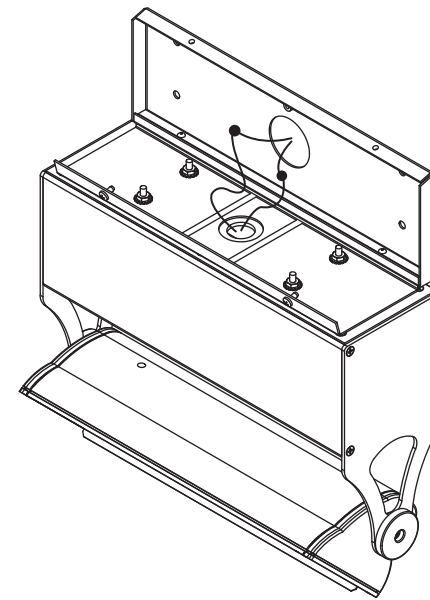
## Removing/ Attaching Mount Plate

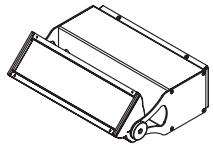
To remove/ attach the mount plate to the fixture remove the two (2) set screws and unhook the mount plate from fixture.



## Step 2: Wiring/ Hanging

1. Hang fixture on mount plate by hooking the back of the fixture onto the tab on the mount plate.
  2. Make all necessary wiring connections and recess wires into J box.
- (Note: for ceiling installation fixture will not be able to hook onto mounting plate.)*

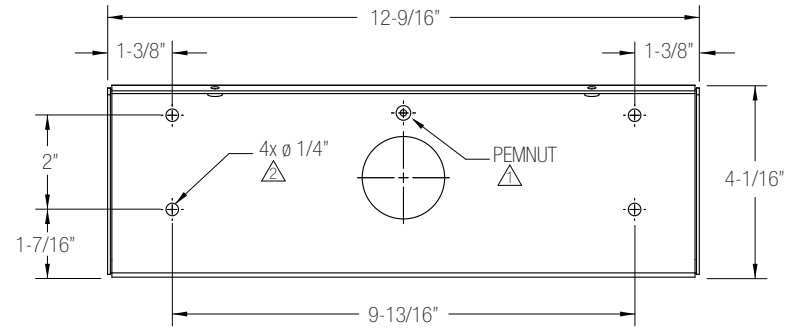




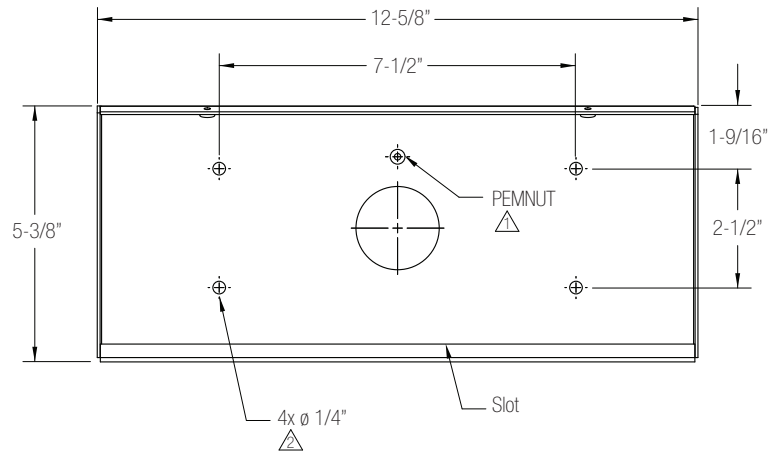
# Peak / Peak DE/ DF Installation

- ① PEM NUT Provided for ground wire
- ② Fixture must be mounted to structure using all holes (1/4" hardware by others)

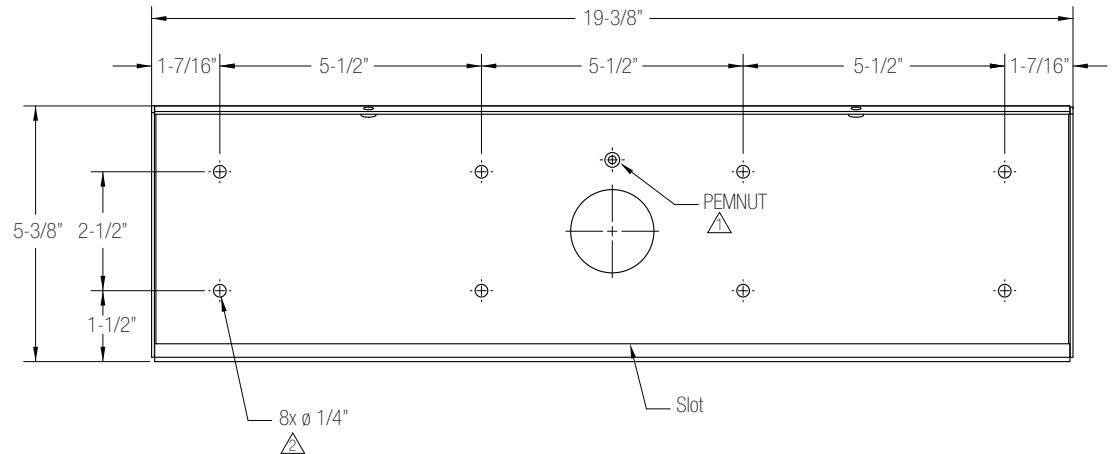
Peak DE/ DF Mount Plate



Peak Large 12" DE/ DF Mount Plate



Peak Large 20" & 25" DE/ DF Mount Plate



1. This product must be installed in accordance with applicable installation and electrical codes by a professional familiar with the construction and operation of the product.
2. Minimum 90°C supply conductors
3. All electrical connections must be performed by a certified electrician to applicable local and national electrical codes.
4. Fixtures must be mounted directly to structure.