

For Indoor Lighting Applications

**CONSTRUCTION** Extruded aluminum housing, die-cast gasketed end caps. Luminaire head attaches to cold rolled steel recessed box in one of four field adjustable positions.

**REFLECTOR** Highly reflective specular anodized aluminum.

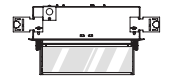
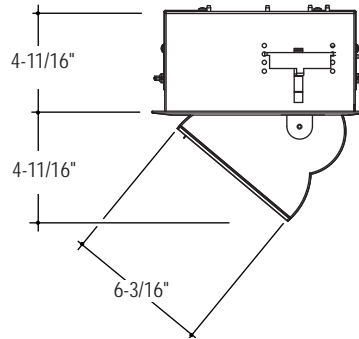
**LENS** Micro-prismatic tempered glass and die-formed aluminum trim (spring secured) for tool-less lamp access.

**ELECTRICAL** Available in 120 volt only.

**MOUNTING** Fully rotatable head mounts to structure at ceiling.

**FINISH** Standard powder-coat white textured painted finish. Consult factory for custom color and finishes.

**LABELS** UL and cUL Listed and approved for dry/damp location.



12"

(1) 300W T3, RSC  
(1) 350W T3, RSC  
(1) 500W T3, RSC

**LUMINAIRE SPECIFICATION**

Sample Catalog #: PLS-Q350T3-SR-120-1C-W-V

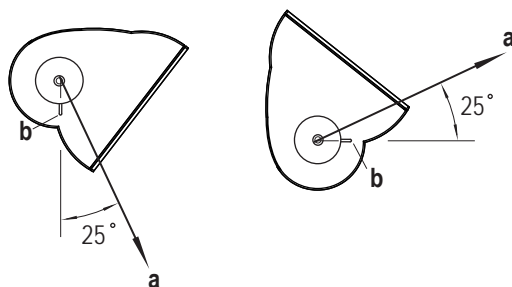
PL_-	Q_--_-	SR-	120-	1C-	W-	__
PRODUCT	LAMPS / LENGTH	MOUNTING	VOLTAGE	CIRCUITING	FINISH	OPTIONS
PLS- Peak Large indoor luminaire, Smooth Housing, dry/damp label  PLR- Peak Large indoor luminaire, Ribbed Housing, dry/damp label	LAMP LENGTH Q300T3- (1) 300W T3, RSC 12" Q350T3- (1) 350W T3, RSC 12" Q500T3- (1) 500W T3, RSC 12"	SR- Ceiling Semi-Recessed	120- 120 V	1C- Single Circuit <sup>2</sup>	W- Matte White	B- Baffle <sup>1</sup> V- Visor <sup>1</sup>

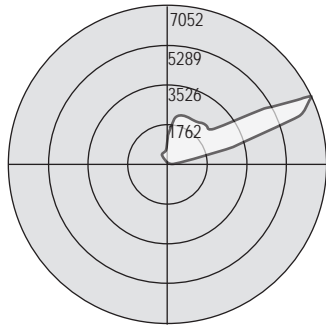
<sup>1</sup>Color will match housing unless otherwise specified.

<sup>2</sup>Some Peak Large configurations will not accommodate all electrical options. Consult factory.

**AIMING**

Fixture achieves optimal beam angle (a) when "aiming notch" (b) aligns with horizontal or vertical axis. Luminaire head rotates and locks for easy field adjustability.





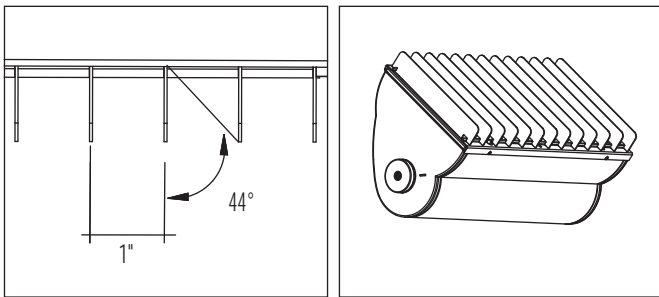
Test # JTL-100014  
 Catalog # PL-Q500  
 Total Luminaire Efficiency = 69.10%

Zone	Lumens	%Lamp	%Fixt
0-30	0	0	0
0-40	0	0	0
0-60	.03	0	0
0-90	91.7	1	1.4
90-120	2716.9	28.6	41.4
90-130	3717.9	39.1	56.7
90-150	5381.7	56.6	82.0
90-180	6468.2	68.1	98.6
0-180	6560.0	69.1	100

	0	45	90	135	180
60	0	0	0	0	0
65	0	1	0	0	0
70	0	2	0	0	0
75	0	7	0	0	0
80	164	36	0	0	0
85	356	131	2	0	0
90	278	246	20	0	0
95	336	411	100	1	0
100	1168	711	188	7	0
105	3438	1247	279	30	5
110	6297	1938	364	65	24
115	7052	2118	430	102	53
120	4848	1922	506	137	85
125	2819	1913	600	182	126
130	2347	2018	701	233	151
135	2400	2079	798	333	185
140	2332	2144	932	420	226
145	2202	2197	1021	465	360
150	2195	2235	1072	497	447
155	2226	2254	1115	534	459
160	2187	2225	1116	567	497
165	2214	2102	1110	590	533
170	2044	1879	1099	653	568
175	1758	1543	1084	738	671
180	1087	1087	1087	1087	1087

FEATURES AND OPTIONS

• EXTERNAL BAFFLE

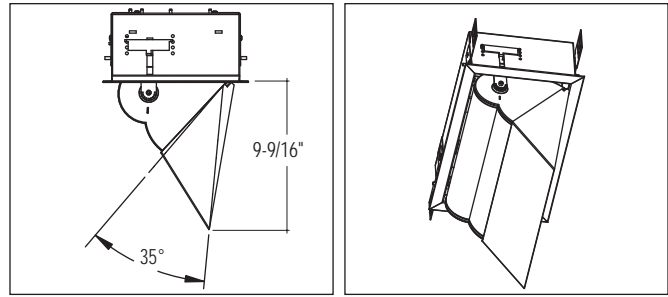


Application: External Baffle controls glare and reduces light output by 15%. Recommended when lengthwise shielding of lamp is required.

Construction: Straight baffles are high reflective white painted aluminum blades. Blade height is 1-1/8" and spaced 1" on center. Baffles are factory installed and can be easily removed for lamp replacement.

Ordering Information: Indicate "B" in the Options section of the part number. (Sample Catalog #: PLS-Q350T3-SR-120-1C-W-B).

• VISOR



Application: Provides 35 degrees of shielding with no interference to peak beam angle. Recommended when glare from the lens or reflector must be shielded.

Construction: Solid formed visor mounts to fixture with 2 screws. Visors are field installed. Visors are painted to match fixture housing unless otherwise specified.

Ordering Information: Indicate a "V" in the Options section of the part number. (Sample Catalog #: PLS-Q350T3-SR-120-1C-W-V)

• MOUNTING DETAIL

Heavy gauge metal tabs allow mounting to any ceiling type. Toolless adjustment of tabs allows for easy field adjustment of luminaire for a clean fit to sheet rock and layin ceilings

Metal tabs easily bend to enabling luminaire to adapt to bar hangers from either direction

After luminaire is installed, aluminum frame easily mounts to luminaire cleanly with torsion springs.

