

For Indoor Lighting Applications

CONSTRUCTION Extruded aluminum housing, die-cast gasketed end caps.

REFLECTOR Highly reflective specular anodized aluminum.

LENS Micro-prismatic tempered glass and die-formed aluminum trim (spring secured) for tool-less lamp access.

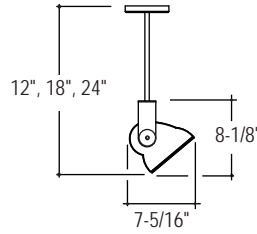
ELECTRICAL Available in 120 volt only.

MOUNTING Fully rotatable head mounts to structure at ceiling.

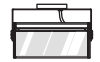
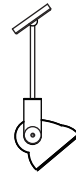
FINISH Standard powder-coat white textured painted finish. Consult factory for custom color and finishes.

LABELS UL and cUL Listed and approved for dry/damp location.

Pendant



Pendant Swivel


 12"
 (1) 300W T3, RSC
 (1) 350W T3, RSC
 (1) 500W T3, RSC

LUMINAIRE SPECIFICATION

Sample Catalog #: PLS-Q300T3-P12-120-1C-W-V

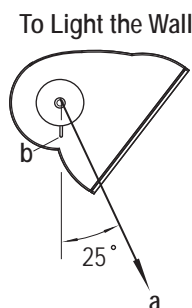
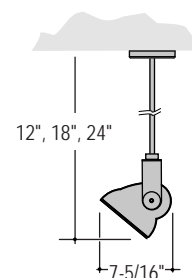
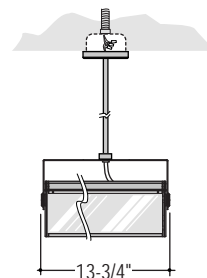
PL_-	Q_		120-	1C-		
PRODUCT	LAMPS / LENGTH	MOUNTING	VOLTAGE	CIRCUITING	FINISH	OPTIONS
PLS- Peak Large indoor luminaire, Smooth Housing, dry/damp label PLR- Peak Large indoor luminaire, Ribbed Housing, dry/damp label	LAMP Q300T3- (1) 300W T3, RSC 12" Q350T3- (1) 350W T3, RSC 12" Q500T3- (1) 500W T3, RSC 12"	P_- Pendant (specify O.A.L., 12", 18" or 24") PS_- Pendant Swivel (specify O.A.L., 12", 18" or 24")	120- 120 V	1C- Single Circuit ²	W- Matte White S- Metallic Silver BR- Bronze CC- Custom Color	B- Baffle ¹ V- Visor ¹

¹Color will match housing unless otherwise specified.

²Some Peak Large configurations will not accommodate all electrical options. Consult factory.

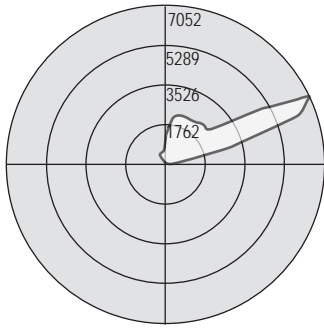
AIMING

Fixture achieves optimal beam angle (a) when "aiming notch" (b) aligns with horizontal or vertical axis. Luminaire head rotates and locks for easy field adjustability.


MOUNTING DIMENSION
P - Pendant
PS-"Pendant Swivel", 45 degree swivel


PHOTOMETRICS

PEAK Large / P & PS MOUNT



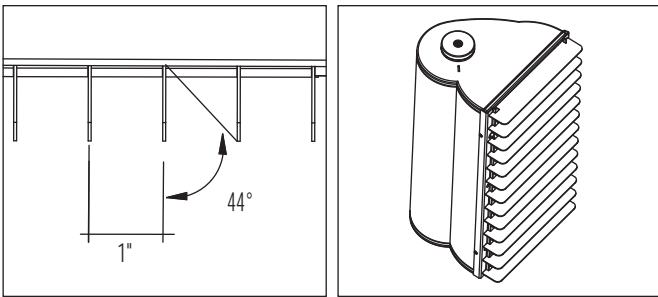
Test # JTL-100014
 Catalog # PL-Q500
 Total Luminaire Efficiency = 69.10%

Zone	Lumens	%Lamp	%Fixt
0-30	0	0	0
0-40	0	0	0
0-60	.03	0	0
0-90	91.7	1	1.4
90-120	2716.9	28.6	41.4
90-130	3717.9	39.1	56.7
90-150	5381.7	56.6	82.0
90-180	6468.2	68.1	98.6
0-180	6560.0	69.1	100

	0	45	90	135	180
60	0	0	0	0	0
65	0	1	0	0	0
70	0	2	0	0	0
75	0	7	0	0	0
80	164	36	0	0	0
85	356	131	2	0	0
90	278	246	20	0	0
95	336	411	100	1	0
100	1168	711	188	7	0
105	3438	1247	279	30	5
110	6297	1938	364	65	24
115	7052	2118	430	102	53
120	4848	1922	506	137	85
125	2819	1913	600	182	126
130	2347	2018	701	233	151
135	2400	2079	798	333	185
140	2332	2144	932	420	226
145	2202	2197	1021	465	360
150	2195	2235	1072	497	447
155	2226	2254	1115	534	459
160	2187	2225	1116	567	497
165	2214	2102	1110	590	533
170	2044	1879	1099	653	568
175	1758	1543	1084	738	671
180	1087	1087	1087	1087	1087

FEATURES AND OPTIONS

• **EXTERNAL BAFFLE**

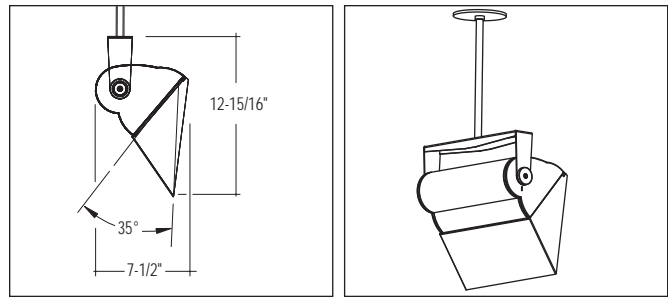


Application: External Baffle controls glare and reduces light output by 15%. Recommended when lengthwise shielding of lamp is required.

Construction: Straight baffles are high reflective white painted aluminum blades. Blade height is 1-1/8" and spaced 1" on center. Baffles are factory installed and can be easily removed for lamp replacement.

Ordering Information: Indicate "B" in the Options section of the part number. (Sample Catalog #: PLS-Q300T3-P12-120-1C-W-B).

• **VISOR**

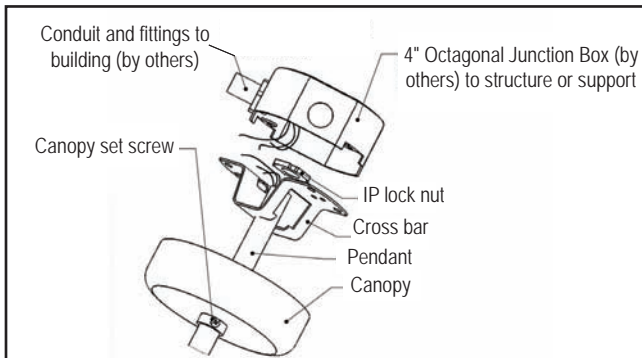


Application: Provides 35 degrees of shielding with no interference to peak beam angle. Recommended when glare from the lens or reflector must be shielded.

Construction: Solid formed visor mounts to fixture with 2 screws. Visors are field installed. Visors are painted to match fixture housing unless otherwise specified.

Ordering Information: Indicate a "V" in the Options section of the part number. (Sample Catalog #: PLS-Q300T3-P12-120-1C-W-V)

• **MOUNTING DETAIL**



Assembly: Fixture wires are fed through pendant and attached to building power at junction box. Pendant hooks into crossbar using IP lock nut. Crossbar is then attached to junction box using #8 hardware (by others). Slide canopy onto pendant and raise to crossbar. Tighten set screw to secure. See installation instructions when installing fixtures. Spec sheets are not to be used as installation instructions.