

For Indoor and Outdoor Lighting Applications

CONSTRUCTION Extruded aluminum housing, die-cast gasketed end caps. Outdoor rated luminaires include mechanically attached and gasketed aluminum door frame.

REFLECTOR Highly reflective specular anodized aluminum.

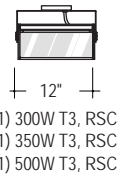
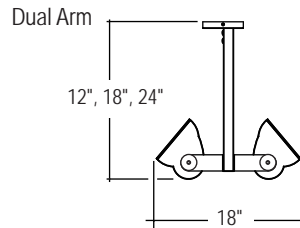
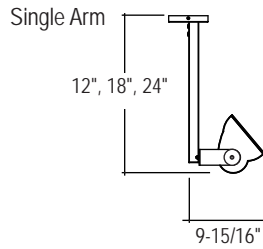
LENS Micro-prismatic tempered glass and die-formed aluminum trim (spring secured) for tool-less lamp access. For outdoor luminaires, glass is secured to aluminum door frame and mechanically attaches to housing.

ELECTRICAL Available in 120 volt only.

MOUNTING Fully rotatable head mounts to structure either at ceiling or wall.

FINISH Standard powder-coat white textured painted finish. Consult factory for custom color and finishes.

LABELS UL and cUL Listed and approved for dry/damp location or wet location. Specify label required under "Product" section of catalog number.



LUMINAIRE SPECIFICATION

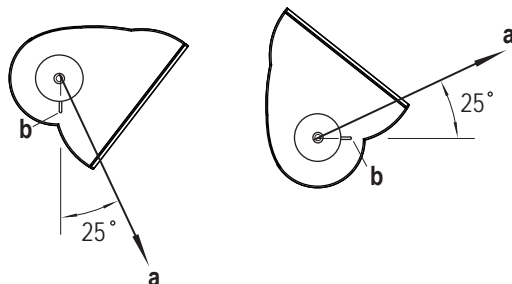
Sample Catalog #: PLS-Q350T3-A112-120-W-V

PRODUCT	LAMPS / LENGTH	MOUNTING	VOLTAGE	CIRCUITING	FINISH	OPTIONS	
PLS- Peak Large indoor luminaire, Smooth Housing, dry/damp label	LAMP Q300T3- (1) 300W T3, RSC Q350T3- (1) 350W T3, RSC Q500T3- (1) 500W T3, RSC	LENGTH 12" 12" 12"	A1__ - Arm Mount/Single Head ¹ (specify O.A.L., 12", 18" or 24") A2__ - Arm Mount/Dual Head ¹ (specify O.A.L., 12", 18" or 24")	120- 120 V	1C- Single Circuit ²	W- Matte White S- Metallic Silver BR- Bronze CC- Custom Color	B- Baffle ³ V- Visor ³
PLR- Peak Large indoor luminaire, Ribbed Housing, dry/damp label							
PLSW- Peak Large outdoor luminaire, Smooth Housing, wet label							
PLRW- Peak Large outdoor luminaire, Ribbed Housing, wet label							
PLSN- Peak Large natorium luminaire, Smooth Housing, wet label							
PLRN- Peak Large natorium luminaire, Ribbed Housing, wet label							

¹ Arm lengths 24" or longer require aircraft cable support when mounted to the wall. Consult factory.
² Some Peak Large configurations will not accommodate all electrical options. Consult factory.
³ Color will match housing unless otherwise specified.

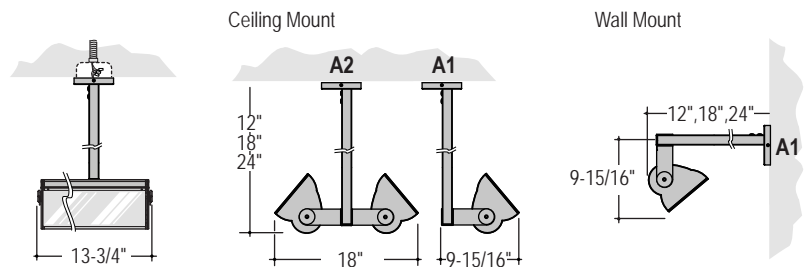
AIMING

Fixture achieves optimal beam angle (a) when "aiming notch" (b) aligns with horizontal or vertical axis. Luminaire head rotates and locks for easy field adjustability.



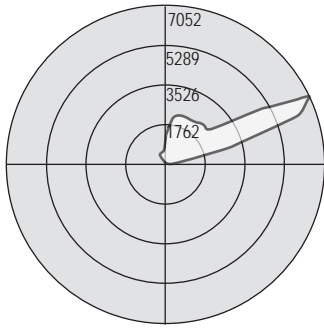
MOUNTING DIMENSION

A1, A2 - Arm Mount



PHOTOMETRICS

PEAK Large / A1 & A2 MOUNT



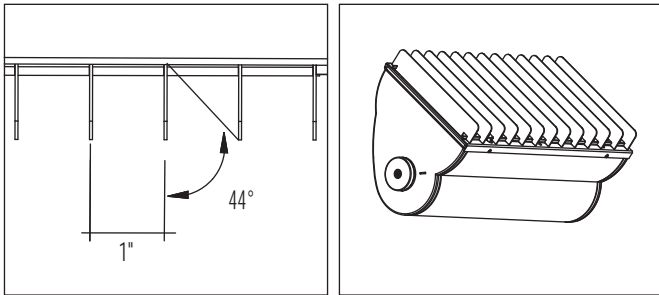
Test # JTL-100014
 Catalog # PL-Q500
 Total Luminaire Efficiency = 69.10%

Zone	Lumens	%Lamp	%Fixt
0-30	0	0	0
0-40	0	0	0
0-60	.03	0	0
0-90	91.7	1	1.4
90-120	2716.9	28.6	41.4
90-130	3717.9	39.1	56.7
90-150	5381.7	56.6	82.0
90-180	6468.2	68.1	98.6
0-180	6560.0	69.1	100

	0	45	90	135	180
60	0	0	0	0	0
65	0	1	0	0	0
70	0	2	0	0	0
75	0	7	0	0	0
80	164	36	0	0	0
85	356	131	2	0	0
90	278	246	20	0	0
95	336	411	100	1	0
100	1168	711	188	7	0
105	3438	1247	279	30	5
110	6297	1938	364	65	24
115	7052	2118	430	102	53
120	4848	1922	506	137	85
125	2819	1913	600	182	126
130	2347	2018	701	233	151
135	2400	2079	798	333	185
140	2332	2144	932	420	226
145	2202	2197	1021	465	360
150	2195	2235	1072	497	447
155	2226	2254	1115	534	459
160	2187	2225	1116	567	497
165	2214	2102	1110	590	533
170	2044	1879	1099	653	568
175	1758	1543	1084	738	671
180	1087	1087	1087	1087	1087

FEATURES AND OPTIONS

• **EXTERNAL BAFFLE**

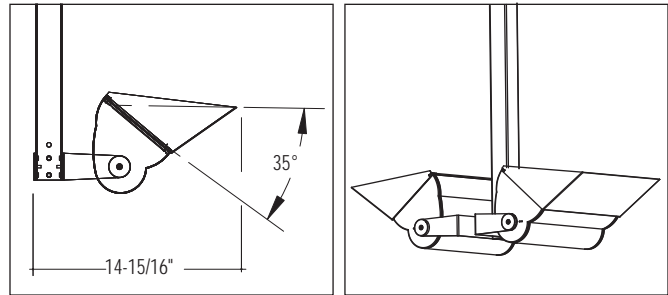


Application: External Baffle controls glare and reduces light output by 15%. Recommended when lengthwise shielding of lamp is required.

Construction: Straight baffles are high reflective white painted aluminum blades. Blade height is 1-1/8" and spaced 1" on center. Baffles are factory installed and can be easily removed for lamp replacement.

Ordering Information: Indicate "B" in the Options section of the part number. (Sample Catalog #: PLS-Q350T3-A112-120-W-B).

• **VISOR**

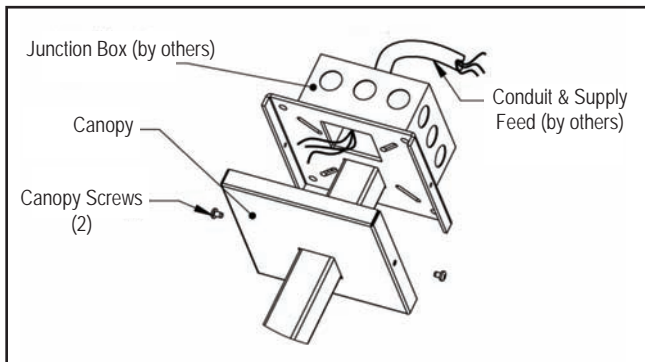


Application: Provides 35 degrees of shielding with no interference to peak beam angle. Recommended when glare from the lens or reflector must be shielded.

Construction: Solid formed visor mounts to fixture with 2 screws. Visors are field installed. Visors are painted to match fixture housing unless otherwise specified.

Ordering Information: Indicate a "V" in the Options section of the part number. (Sample Catalog #: PLS-Q350T3-A112-120-W-V)

• **MOUNTING DETAIL**



Assembly: Pendant easily installs to junction box and/or structure. Canopy slides down allowing for fixture wires to be fed through arm. Attach to building power, slide canopy back into place and attach using canopy screws. See installation instructions when installing fixtures. Spec sheets are not to be used as installation instructions.