

**CONSTRUCTION** Extruded aluminum housing, die-cast gasketed end caps.

**REFLECTOR** Highly reflective specular anodized aluminum.

**LENS** Micro-prismatic tempered glass and die-formed aluminum trim (spring secured) for tool-less lamp access.

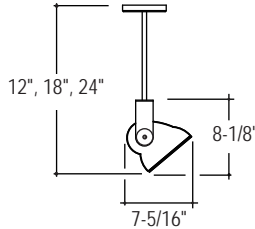
**ELECTRICAL** Standard 100-150 watt: Low frequency electronic HID Universal Voltage (120/277) ballast. Standard 200-350 watt: EISA compliant Pulse Start Core and Coil magnetic ballast with long range ignitor mounted in enclosure box-not to be located over 50' from lamp. Consult factory for availability of electronic ballasts with integral ballast applications.

**MOUNTING** Fully rotatable head mounts to structure at ceiling.

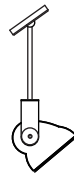
**FINISH** Standard powder-coat white textured painted finish. Consult factory for custom color and finishes.

**LABELS** UL and cUL Listed and approved for dry/damp location.

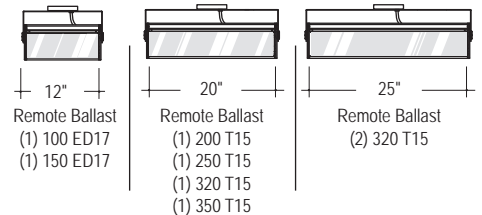
Pendant



Pendant Swivel



For Indoor Lighting Applications



**LUMINAIRE SPECIFICATION**

Sample Catalog #: PLS-M100PS-P12-120-1C-W-V

PRODUCT	LAMPS / LENGTH	MOUNTING	VOLTAGE	CIRCUITING	FINISH	OPTIONS
PLS- Peak Large indoor luminaire, Smooth Housing, dry/damp label	REMOTE BALLAST <sup>1</sup> LENGTH M100PS- (1) 100W ED17 PS 12" M150PS- (1) 150W ED17 PS 12" M200PS- (1) 200W T15 PS <sup>1</sup> 20" M250PS- (1) 250W T15 PS <sup>1</sup> 20" M320PS- (1) 320W T15 PS <sup>1</sup> 20" M350PS- (1) 350W T15 PS <sup>1</sup> 20" 2M320PS- (2) 320W T15 PS <sup>1</sup> 25"	REMOTE BALLAST <sup>1,2</sup> P__- Pendant (specify O.A.L., 12", 18" or 24") PS__- Pendant Swivel (specify O.A.L., 12", 18" or 24")	120- 120 V 277- 277 V UNV- UNV <sup>3</sup> (120/277)	1C- Single Circuit <sup>4</sup>	W- Matte White S- Metallic Silver BR- Bronze CC- Custom Color	Q- Quartz Restrike <sup>4</sup> B- Baffle <sup>5</sup> V- Visor <sup>5</sup>
PLR- Peak Large indoor luminaire, Ribbed Housing, dry/damp label						

<sup>1</sup>Consult factory for remote distances greater than 50' with 200W, 250W, 320W and 350W lamps.

<sup>2</sup>Consult factory for additional lengths.

<sup>3</sup>Not available on 200W - 350W lamps.

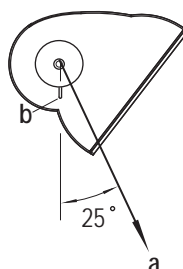
<sup>4</sup>Some Peak Large configurations will not accommodate all electrical options. Consult factory.

<sup>5</sup>Color will match housing unless otherwise specified.

**AIMING**

Fixture achieves optimal beam angle (a) when "aiming notch" (b) aligns with horizontal or vertical axis. Luminaire head rotates and locks for easy field adjustability.

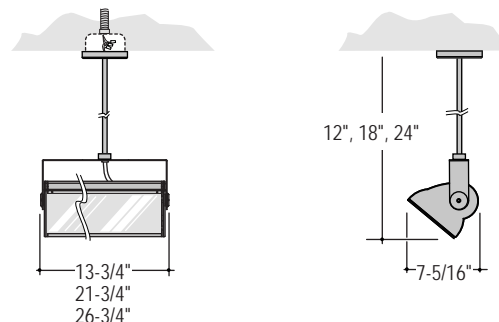
To Light the Wall



**MOUNTING DIMENSIONS**

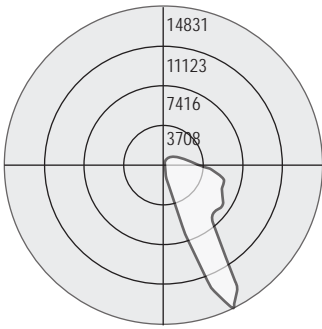
**P - Pendant, Remote Ballast**

PS-"Pendant Swivel", 45 degree swivel



<sup>1</sup>Consult factory for remote distances greater than 50' with 200W, 250W, 320W and 350W lamps.

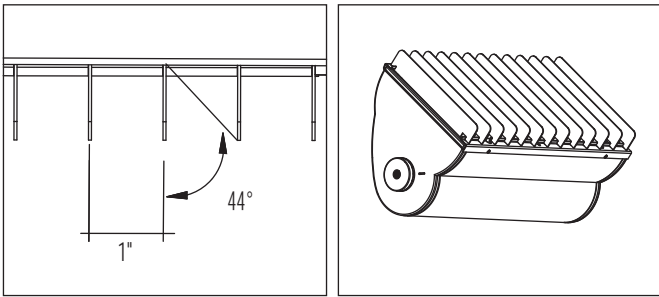
Test # 202927  
 Catalog # PL-M320PS\_C  
 Total Luminaire Efficiency = 60.30%



Zone	Lumens	%Lamp	%Fixt
0-30	2576.9	8.6	14.2
0-40	5372.5	17.9	29.7
0-60	10593.7	35.3	58.6
0-90	16046.0	53.5	88.7
90-120	1648.7	5.5	9.1
90-130	1854.6	6.2	10.3
90-150	2021.8	6.7	11.2
90-180	2041.6	6.8	11.3
0-180	18087.5	60.3	100

FEATURES AND OPTIONS

• EXTERNAL BAFFLE

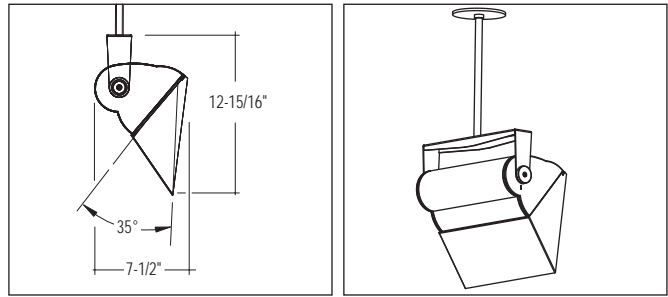


**Application:** External Baffle controls glare and reduces light output by 15%. Recommended when lengthwise shielding of lamp is required.

**Construction:** Straight baffles are high reflective white painted aluminum blades. Blade height is 1-1/8" and spaced 1" on center. Baffles are factory installed and can be easily removed for lamp replacement.

**Ordering Information:** Indicate "B" in the Options section of the part number. (Sample Catalog #: PLS-M100PS-P12-120-1C-W-B).

• VISOR

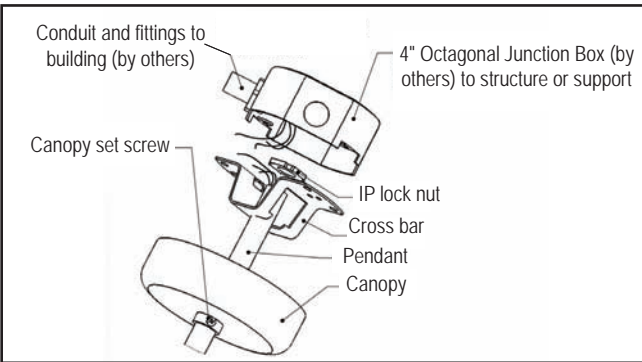


**Application:** Provides 35 degrees of shielding with no interference to peak beam angle. Recommended when glare from the lens or reflector must be shielded.

**Construction:** Solid formed visor mounts to fixture with 2 screws. Visors are field installed. Visors are painted to match fixture housing unless otherwise specified.

**Ordering Information:** Indicate a "V" in the Options section of the part number. (Sample Catalog #: PLS-M100PS-P12-120-1C-W-V)

• MOUNTING DETAIL



**Assembly:** Fixture wires are fed through pendant and attached to building power at junction box. Pendant hooks into crossbar using IP lock nut. Crossbar is then attached to junction box using #8 hardware (by others). Slide canopy onto pendant and raise to cross bar. Tighten set screw to secure. See installation instructions when installing fixtures. Specification sheets are not to be used as installation instructions.