

CONSTRUCTION Extruded aluminum housing, die-cast gasketed end caps.

REFLECTOR Highly reflective specular anodized aluminum.

LENS Micro-prismatic tempered glass and die-formed aluminum trim (spring secured) for tool-less lamp access.

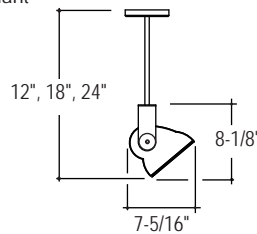
ELECTRICAL Standard 120/277 volt integral electronic ballast with a power factor greater than 90% and less than 15% THD. Consult factory for battery packs and dimming. Each ballast provided with disconnects to meet luminaire disconnect code requirement.

MOUNTING Fully rotatable head mounts to structure at ceiling.

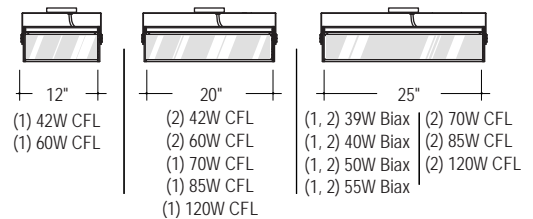
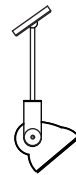
FINISH Standard powder-coat white textured painted finish. Consult factory for custom color and finishes.

LABELS UL and cUL Listed and approved for dry/damp location.

Pendant



Pendant Swivel



LUMINAIRE SPECIFICATION

Sample Catalog #: PLS-CF85-P18-120-1C-W-V

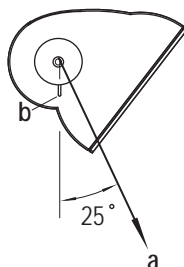
PRODUCT	LAMPS / LENGTH	MOUNTING	VOLTAGE	CIRCUITING	FINISH	OPTIONS
PLS- Peak Large indoor luminaire, Smooth Housing, dry/damp label	LAMP LENGTH CF42- (1) 42W CFL 12" CF60- (1) 60W CFL 12"	REMOTE BALLAST ^{1,2} P__- Pendant (specify O.A.L., 12", 18" or 24") PS__- Pendant Swivel (specify O.A.L., 12", 18" or 24")	120- 120 V 277- 277 V 347- 347 V ³ UNV- UNV (120/277)	1C- Single Circuit 2C- Dual Circuit ⁴ 1D- Single Circuit with Dimming ⁴ 2D- Dual Circuit with Dimming ⁴ 1B- Single Circuit with Battery Pack ⁴ 2B- Dual Circuit with Battery Pack ⁴	W- Matte White S- Metallic Silver BR- Bronze CC- Custom Color	B- Baffle ⁵ V- Visor ⁵
PLR- Peak Large indoor luminaire, Ribbed Housing, dry/damp label	2CF42- (2) 42W CFL 20" 2CF60- (2) 60W CFL 20" CF70- (1) 70W CFL 20" CF85- (1) 85W CFL 20" CF120- (1) 120 W CFL 20" 2CF70- (2) 70W CFL 25" 2CF85- (2) 85W CFL 25" 2CF120- (2) 120W CFL 25" BX39- (1) 39W Biax 25" 2BX39- (2) 39W Biax 25" BX40- (1) 40W Biax 25" 2BX40- (2) 40W Biax 25" BX50- (1) 50W Biax 25" 2BX50- (2) 50W Biax 25" BX55- (1) 55W Biax 25" 2BX55- (2) 55W Biax 25"					

¹ Remote wiring for CFL allowed to a maximum of 6' for 2-lamp or 15' for 1-lamp between ballast and lamp holder.
² Biax ballast installed into fixture head.
³ Not available with compact fluorescent. Consult factory for biax lamp. Not all lamping options are available.
⁴ Some Peak Large configurations will not accommodate all electrical options. Consult factory.
⁵ Color will match housing unless otherwise specified.

AIMING

Fixture achieves optimal beam angle (a) when "aiming notch" (b) aligns with horizontal or vertical axis. Luminaire head rotates and locks for easy field adjustability.

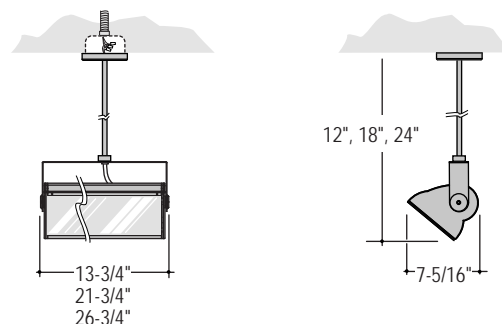
To Light the Wall

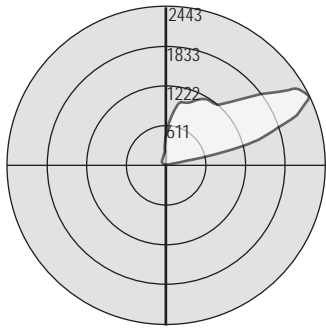


MOUNTING DIMENSION

P - Pendant, Remote Ballast (Biax ballast installed into fixture head.)

PS - "Pendant Swivel", 45 degree swivel





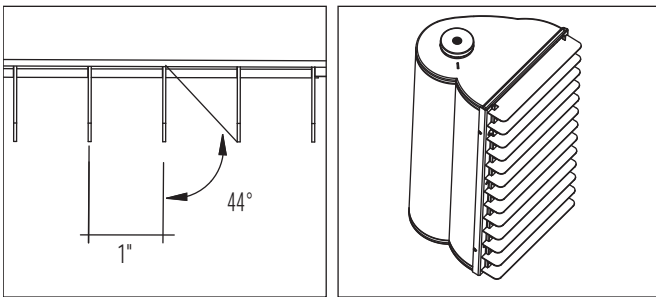
Test # JTL-200046
 Catalog # PL-BX55
 Total Luminaire Efficiency = 66.20%

Zone	Lumens	%Lamp	%Fixt
0-30	0	0	0
0-40	0	0	0
0-60	0	0	0
0-90	34.0	.7	1.1
90-120	1390.9	29	43.8
90-130	1953.5	40.7	61.5
90-150	2719.7	56.7	85.6
90-180	3141.6	65.5	98.9
0-180	3175.6	66.2	100

0	0	45	90	135	180
0	0	0	0	0	0
5	0	0	0	0	0
15	0	0	0	0	0
25	0	0	0	0	0
35	0	0	0	0	0
45	0	0	0	0	0
55	0	0	0	0	0
65	0	0	0	0	0
75	0	.35	0	0	0
85	126	84	.17	0	0
95	105	180	36	.07	.04
105	1504	1292	131	11	2.5
115	2443	1480	221	37	23
125	1920	1090	270	61	44
135	1307	1070	359	76	67
145	1211	1068	364	94	77
155	1084	985	410	98	89
165	1007	896	424	108	93
170	886	762	397	108	96

FEATURES AND OPTIONS

• EXTERNAL BAFFLE

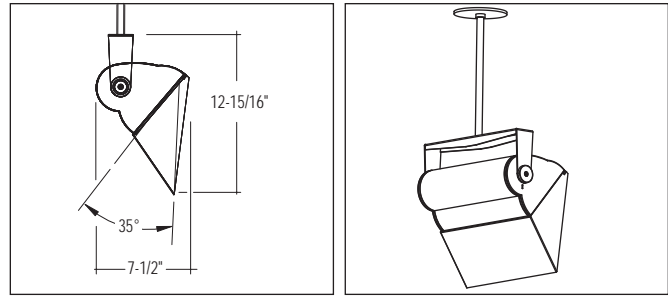


Application: External Baffle controls glare and reduces light output by 15%. Recommended when lengthwise shielding of lamp is required.

Construction: Straight baffles are high reflective white painted aluminum blades. Blade height is 1-1/8" and spaced 1" on center. Baffles are factory installed and can be easily removed for lamp replacement.

Ordering Information: Indicate "B" in the Options section of the part number. (Sample Catalog #: PLS-CF85-P18-120-1C-W-B).

• VISOR

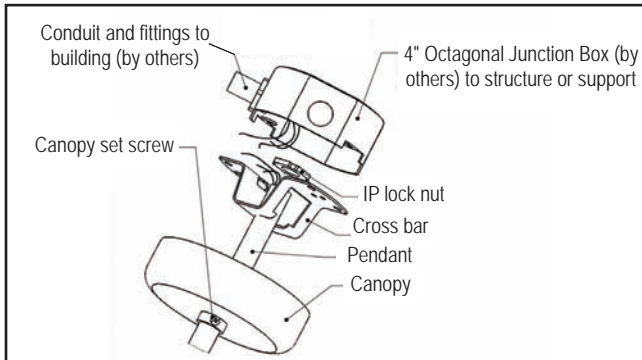


Application: Provides 35 degrees of shielding with no interference to peak beam angle. Recommended when glare from the lens or reflector must be shielded.

Construction: Solid formed visor mounts to fixture with 2 screws. Visors are field installed. Visors are painted to match fixture housing unless otherwise specified.

Ordering Information: Indicate a "V" in the Options section of the part number. (Sample Catalog #: PLS-CF85-P18-120-1C-W-V)

• MOUNTING DETAIL



Assembly: Fixture wires are fed through pendant and attached to building power at junction box. Pendant hooks into crossbar using IP lock nut. Crossbar is then attached to junction box using #8 hardware (by others). Slide canopy onto pendant and raise to cross bar. Tighten set screw to secure. See installation instructions when installing fixtures. Specification sheets are not to be used as installation instructions.