

For Indoor Lighting Applications

CONSTRUCTION Extruded aluminum housing, die-cast gasketed end caps. Luminaire head mechanically attaches to cold rolled steel recessed box in one of four adjustable positions.

REFLECTOR Highly reflective specular anodized aluminum.

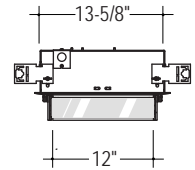
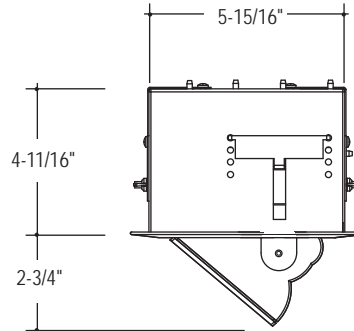
LENS Micro-prismatic tempered glass and die-formed aluminum trim (spring secured) for tool-less lamp access.

ELECTRICAL Available in 120 volt only.

MOUNTING Fully rotatable head mounts to structure at ceiling.

FINISH Standard powder-coat white textured painted finish. Consult factory for custom color and finishes.

LABELS UL and cUL Listed and approved for dry/damp location.



(1) 100W T4, DC (1) 200W T3, RSC
(1) 150W T4, DC (1) 250W T4, DC

LUMINAIRE SPECIFICATION

Sample Catalog #: PS-Q100T4-SR-120-1C-W-V

P_-	Q_---	SR-	120-	1C-	W-	---
PRODUCT	LAMPS / LENGTH	MOUNTING	VOLTAGE	CIRCUITING	FINISH	OPTIONS
PS- Peak indoor luminaire, Smooth Housing, dry/damp label	LAMP Q100T4- (1) 100W T4, DC 12" Q150T4- (1) 150W T4, DC 12" Q200T3- (1) 200W T3, RSC 12" Q250T4- (1) 250W T4, DC 12"	SR- Ceiling Semi-Recessed	120- 120 V	1C- Single Circuit ¹	W- Matte White	B- Baffle ² V- Visor ²
PR- Peak indoor luminaire, Ribbed Housing, dry/damp label						

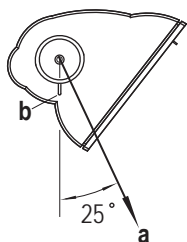
¹Some Peak configurations will not accommodate all electrical options. Consult factory.

²Color will match housing unless otherwise specified.

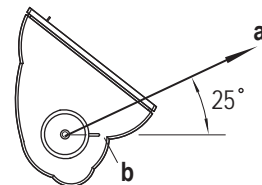
AIMING

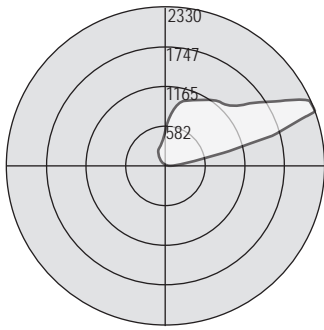
Fixture achieves optimal beam angle (a) when "aiming notch" (b) aligns with horizontal or vertical axis. Luminaire head rotates and locks for easy field adjustability.

To light the wall



To light the ceiling





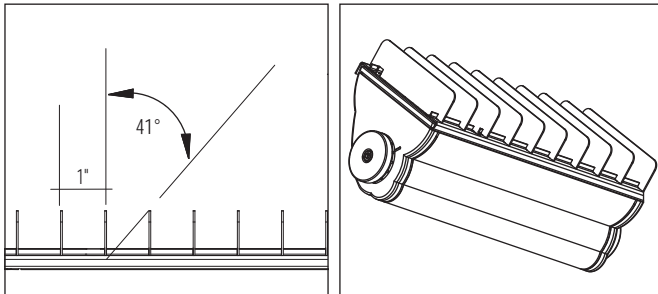
Test # JTL100022
 Catalog # PS-Q250
 Total Luminaire Efficiency = 66.60%

Zone	Lumens	%Lamp	%Fixt
0-30	0	0	0
0-40	0.01	0	0
0-60	0.06	0	0
0-90	30.4	0.6	0.9
90-120	1346.4	26.9	40.4
90-130	1916.8	38.3	57.6
90-150	2785.0	55.7	83.7
90-180	3298.9	66	99.1
0-180	3329.3	66.6	100

	0	45	90	135	180
0	0	0	0	0	0
5	0	0	0	0	0
15	0	0	0	0	0
25	0	0	0	0	0
35	0	.04	0	0	0
45	.04	.08	0	0	0
55	.14	.11	0	0	0
65	.19	.17	0	0	0
75	6	.31	.1	0	0
85	72	54	.41	.01	0
90	107	117	7	.01	0
95	195	249	42	.03	0
105	1341	1203	134	11	.31
115	2321	1584	227	41	18
125	1591	1243	336	76	46
135	1191	1174	447	138	77
145	1194	1114	523	218	140
155	1084	1044	568	258	223
165	947	906	577	294	264
170	884	835	572	340	295

FEATURES AND OPTIONS

• EXTERNAL BAFFLE

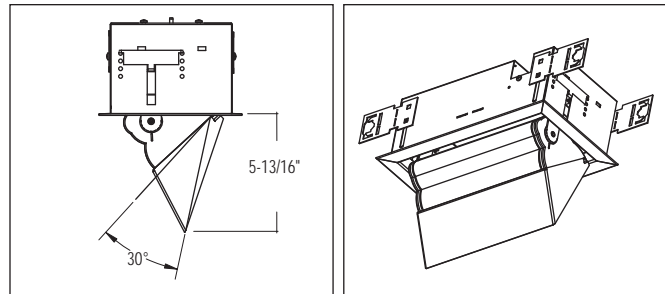


Application: External Baffle controls glare and reduces light output by 15%. Recommended when lengthwise shielding of lamp is required.

Construction: Straigh baffles are high reflective white painted aluminum blades. Blade height is 1-1/8" and spaced 1" on center. Baffles are factory installed and can be easily removed for lamp replacement.

Ordering Information: Indicate "B" in the Options section of the part number. (Sample Catalog #: PS-Q150T4-SR-120-1C-W-B).

• VISOR



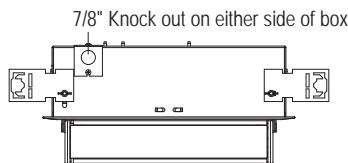
Application: Provides 30 degrees of shielding with no interference to peak beam angle. Recommended when glare from the lens or reflector must be shielded.

Construction: Solid formed visor mounts to fixture with 2 screws. Visors are field installed. Visors are painted to match fixture housing unless otherwise specified.

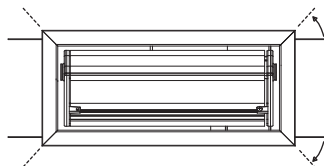
Ordering Information: Indicate a "V" in the Options section of the part number. (Sample Catalog #: PS-Q150T4-SR-120-1C-W-V)

• MOUNTING DETAIL

Heavy gauge metal tabs allow mounting to any ceiling type. Toolless adjustment of tabs allows for easy field adjustment of luminaire for a clean fit to sheet rock and lay-in ceilings.



Metal tabs easily bend enabling luminaire to adapt to bar hangers from either direction.



After luminaire is installed, aluminum frame easily mounts to luminaire cleanly with torsion springs.

