

CONSTRUCTION Extruded aluminum housing, die-cast gasketed end caps. Outdoor rated luminaires include mechanically attached and gasketed aluminum door frame.

REFLECTOR Highly reflective specular anodized aluminum.

LENS Micro-prismatic tempered glass and die-formed aluminum trim (spring secured) for tool-less lamp access. For outdoor luminaires, glass is secured to aluminum door frame and mechanically attaches to housing.

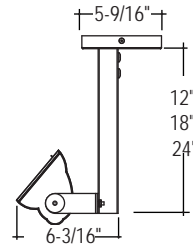
ELECTRICAL Available in 120 volt only.

MOUNTING Fully rotatable head mounts to structure either at ceiling or wall.

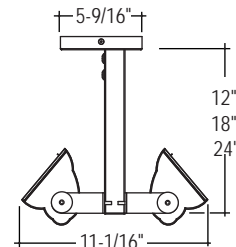
FINISH Standard powder-coat white textured painted finish. Consult factory for custom color and finishes.

LABELS UL and cUL Listed and approved for dry/damp location or wet location. Specify label required under "Product" section of catalog number.

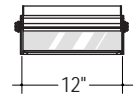
Single Head Arm



Dual Head Arm



For Indoor and Outdoor Lighting Applications



- (1) 100W T4, DC
- (1) 150W T4, DC
- (1) 200W T3, RSC
- (1) 250W T4, DC

LUMINAIRE SPECIFICATION

Sample Catalog #: PS-Q100T4-A112-120-1C-W-V

P__-	Q_____	A___-	120-	1C-	__-	__
PRODUCT	LAMPS / LENGTH	MOUNTING	VOLTAGE	CIRCUITING	FINISH	OPTIONS
PS- Peak indoor luminaire, Smooth Housing, dry/damp label	LAMP Q100T4- (1) 100W T4, DC 12" Q150T4- (1) 150W T4, DC 12"	LENGTH 12"	120- 120 V	1C- Single Circuit ²	W- Matte White S- Metallic Silver BR- Bronze CC- Custom Color	B- Baffle ³ V- Visor ³
PR- Peak indoor luminaire, Ribbed Housing, dry/damp label	Q200T3- (1) 200W T3, RSC 12" Q250T4- (1) 250W T4, DC 12"	12"				
PSW- Peak outdoor luminaire, Smooth Housing, wet label						
PRW- Peak outdoor luminaire, Ribbed Housing, wet label						
PSN- Peak natatorium luminaire, Smooth Housing, wet label						
PRN- Peak natatorium luminaire, Ribbed Housing, wet label						

¹ Arm lengths 24" or longer require aircraft cable support when mounted to the wall. Consult factory.

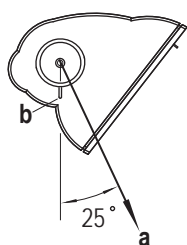
² Some Peak configurations will not accommodate all electrical options. Consult factory.

³ Color will match housing unless otherwise specified.

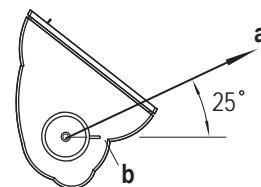
AIMING

Fixture achieves optimal beam angle (a) when "aiming notch" (b) aligns with horizontal or vertical axis. Luminaire head rotates and locks for easy field adjustability.

To light the wall

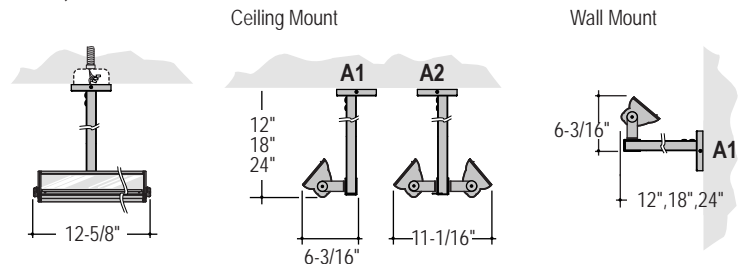


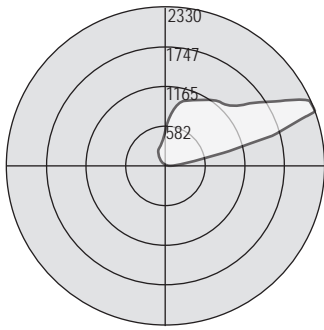
To light the ceiling



MOUNTING DIMENSION

A1, A2 - Arm Mount





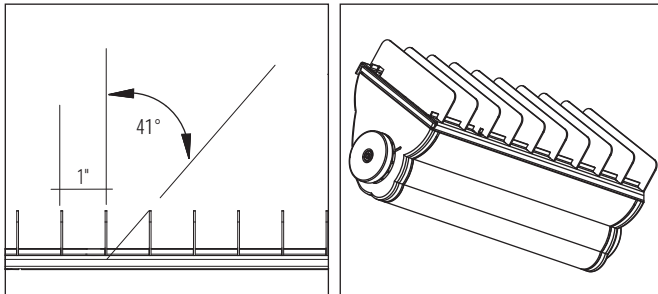
Test # JTL100022
 Catalog # PS-Q250
 Total Luminaire Efficiency = 66.60%

Zone	Lumens	%Lamp	%Fixt
0-30	0	0	0
0-40	0.01	0	0
0-60	0.06	0	0
0-90	30.4	0.6	0.9
90-120	1346.4	26.9	40.4
90-130	1916.8	38.3	57.6
90-150	2785.0	55.7	83.7
90-180	3298.9	66	99.1
0-180	3329.3	66.6	100

	0	45	90	135	180
0	0	0	0	0	0
5	0	0	0	0	0
15	0	0	0	0	0
25	0	0	0	0	0
35	0	.04	0	0	0
45	.04	.08	0	0	0
55	.14	.11	0	0	0
65	.19	.17	0	0	0
75	6	.31	.1	0	0
85	72	54	.41	.01	0
90	107	117	7	.01	0
95	195	249	42	.03	0
105	1341	1203	134	11	.31
115	2321	1584	227	41	18
125	1591	1243	336	76	46
135	1191	1174	447	138	77
145	1194	1114	523	218	140
155	1084	1044	568	258	223
165	947	906	577	294	264
170	884	835	572	340	295

FEATURES AND OPTIONS

• EXTERNAL BAFFLE

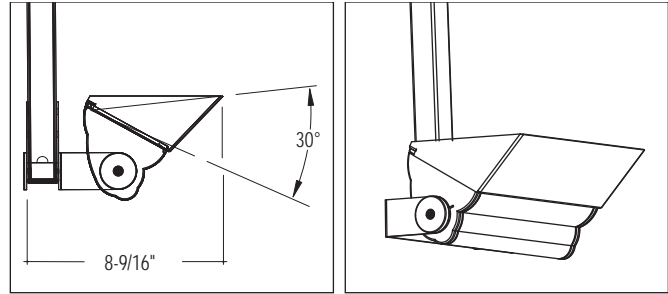


Application: External Baffle controls glare and reduces light output by 15%. Recommended when lengthwise shielding of lamp is required.

Construction: Straight baffles are high reflective white painted aluminum blades. Blade height is 1-1/8" and spaced 1" on center. Baffles are factory installed and can be easily removed for lamp replacement.

Ordering Information: Indicate "B" in the Options section of the part number. (Sample Catalog #: PS-Q100T4-A112-120-1C-W-B).

• VISOR

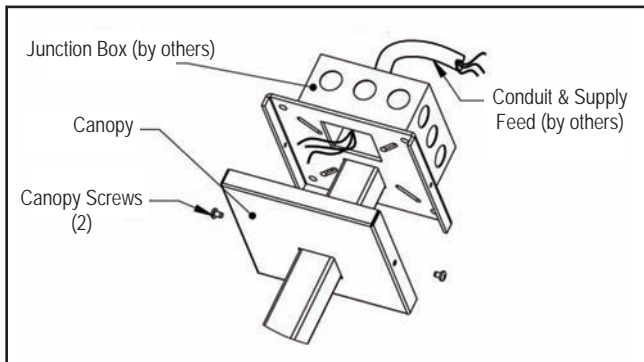


Application: Provides 30 degrees of shielding with no interference to peak beam angle. Recommended when glare from the lens or reflector must be shielded.

Construction: Solid formed visor mounts to fixture with 2 screws. Visors are field installed. Visors are painted to match fixture housing unless otherwise specified.

Ordering Information: Indicate a "V" in the Options section of the part number. (Sample Catalog #: PS-Q100T4-A112-120-1C-W-V)

• MOUNTING DETAIL



Assembly: Pendant easily installs to junction box and/or structure. Canopy slides down allowing for fixture wires to be fed through arm. Attach to building power, slide canopy back into place and attach using canopy screws. See installation instructions when installing fixtures. Specification sheets are not to be used as installation instructions.