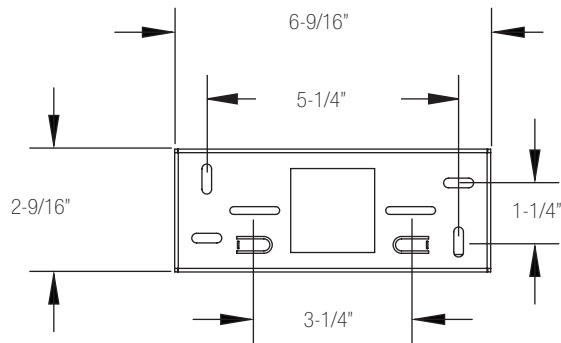
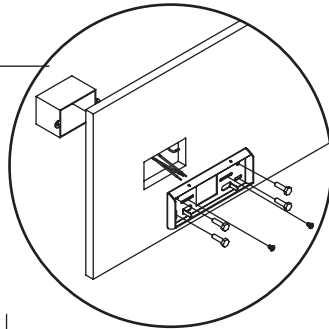


LINERO 8 T5/T5HO & T8 Wall Mount Installation

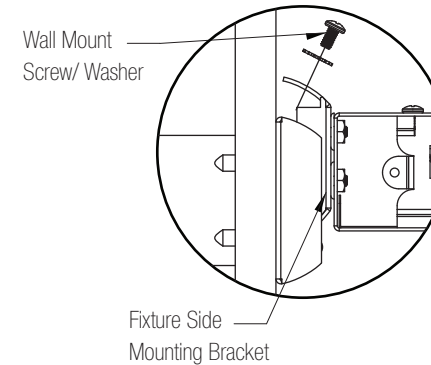
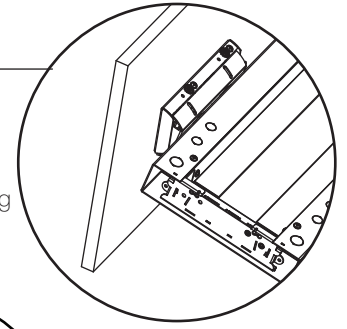
Step 1: Wall Bracket

1. Attach wall side bracket to structure via mounting hardware (by others).
2. If power side, mount bracket in line with 3x2 junction box (by others).
3. Bring power in through junction box.
4. Follow mount spacing on page 2 for additional mounting points.



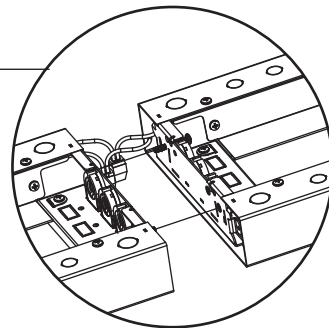
Step 2: Power Mount

1. To power fixture attach building power to fixture power wires using push nuts.
2. Recess connections into junction box.
3. Attach fixture to wall bracket as shown.
4. Make necessary adjustments laterally prior to tightening wall mount screw.



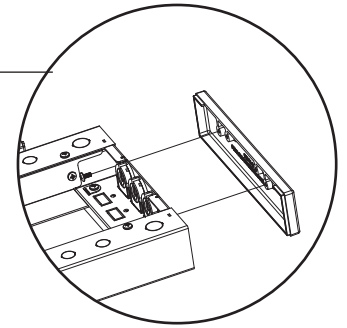
Step 3: Joining Fixtures

1. Make wiring connections between fixtures, and recess wires into one of the fixtures.
2. Feed joining hardware through the slot until you reach the PEM nut.
3. Tighten joining hardware.

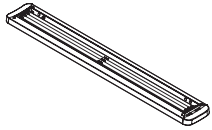


Step 2: Finishing

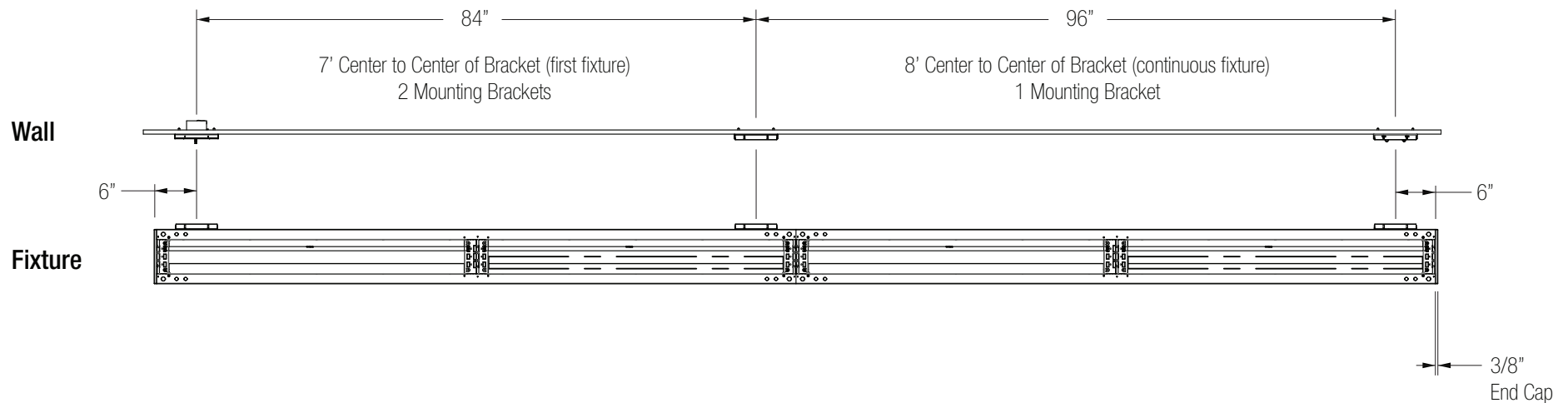
1. Install end caps.
2. Place against end of fixture and secure using two (2) #8-32 screws.



1. This product must be installed in accordance with applicable installation and electrical codes by a professional familiar with the construction and operation of the product.
2. Minimum 90°C supply conductors
3. All electrical connections must be performed by a certified electrician to applicable local and national electrical codes.
4. Do not assemble fixture together on ground and then install.



LINERO 8 T5/T5HO & T8 Wall Mount Installation



First/ Independent Fixture Mounting Example

4' - 36" 3' Center to Center of bracket
8' - 84" 7' Center to center of bracket

Note: 6" dimension from center of bracket to end of fixture is w/o end caps installed.



1. This product must be installed in accordance with applicable installation and electrical codes by a professional familiar with the construction and operation of the product.
2. Minimum 90°C supply conductors
3. All electrical connections must be performed by a certified electrician to applicable local and national electrical codes.
4. Do not assemble fixture together on ground and then install.