

LINERO_{LC6}

Project Name _____

Date _____

Catalog Number _____

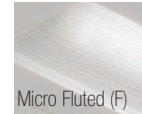
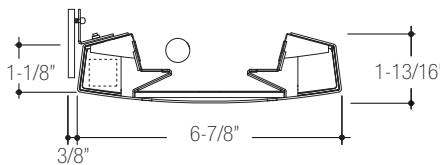
Type _____

1T5, Direct and Indirect Linear Wall



STANDARD SATINE LENS LIGHT DISTRIBUTION

Direct 20%; Indirect 80%



Micro Fluted (F)



Micro Diffuse (D)



Micro Conical (M)

CONSTRUCTION One piece die-formed 18 gauge steel housing in a 6-7/8" by 1-13/16" profile with a 1-1/8" side profile. Standard 4'-0" and 8'-0" fixtures can be joined to create continuous runs.

REFLECTOR Standard high reflectance die-formed white painted aluminum with specular reflector.

ENDCAPS Die-cast aluminum endcaps are fastened with concealed hardware.

LENS Standard satine lens with optional micro-fluted, micro-conical, or micro-diffuse lens.

ELECTRICAL T5, T5HO: Program start 120/277 volt integral electronic ballast with less than 10% THD. Through wiring with quick connects standard. Standard single circuit. Each ballast provided with disconnects to meet luminaire disconnect code requirement.

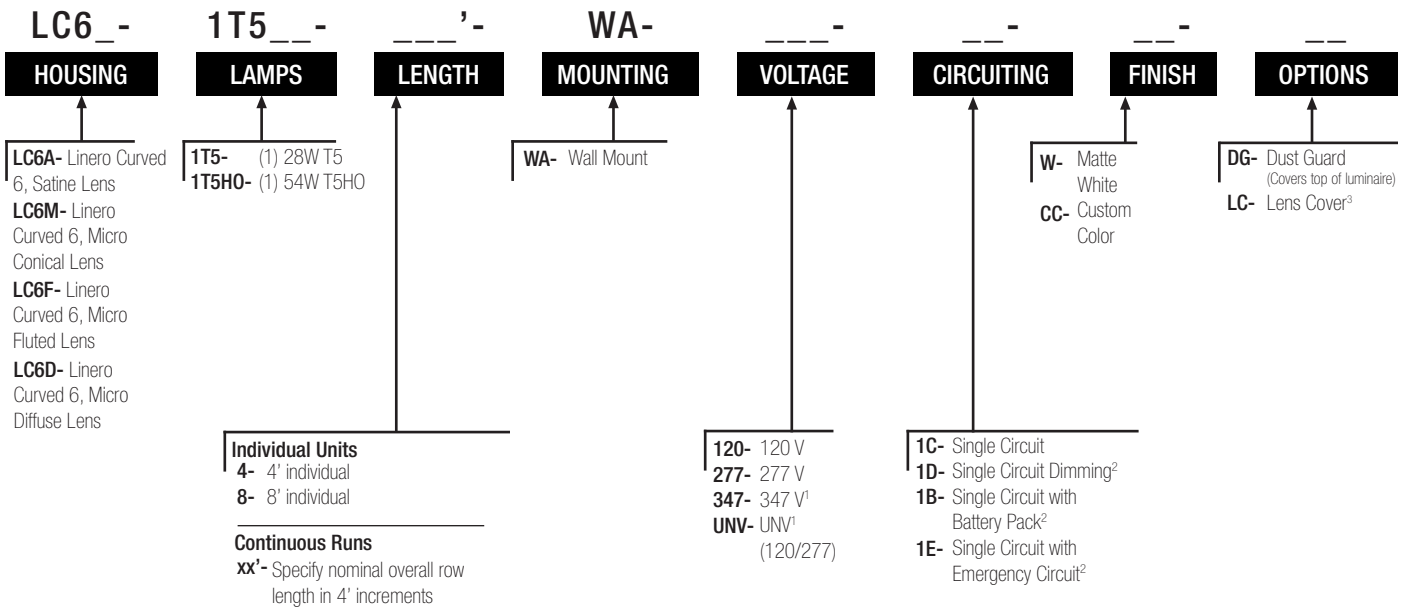
MOUNTING Fixture is mounted to structure over a switch box using a bracket.

FINISH Standard powder-coat textured white painted finish. Consult factory for custom colors and finish options.

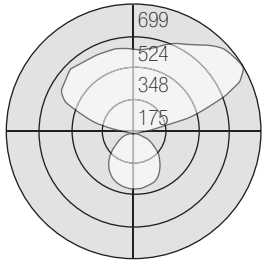
LABELS UL and cUL Listed, approved for dry/damp location unless otherwise noted.

LUMINAIRE SPECIFICATION

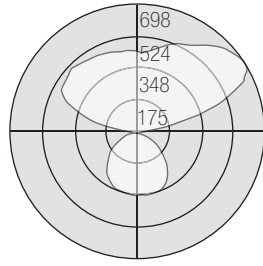
Sample Catalog #: LC6A-1T5-32'-WA-120-1C-W



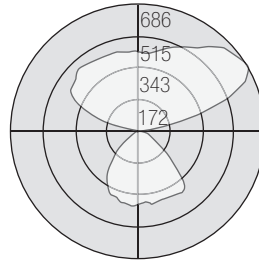
¹347 volt and UNV not available with battery packs. ²Some Linero configurations will not accommodate all electrical options. Consult factory. ³Recommended for highly transmissive lensing options.



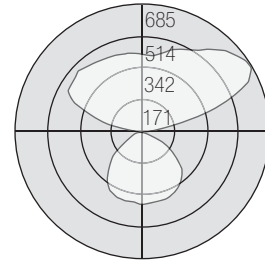
Test # 204335
Part # LC6A-1T5-4-WA
Total Luminaire Efficiency: 100%



Test # 204337
Part # LC6D-1T5-4-WA
Total Luminaire Efficiency: 103%

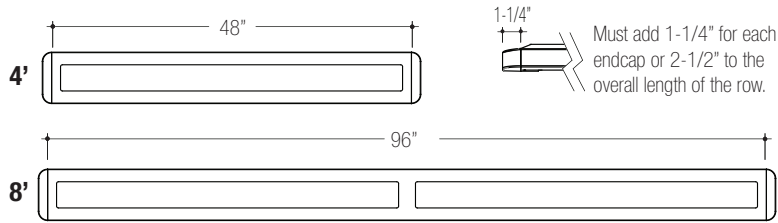


Test # 204341
Part # LC6M-1T5-4-WA
Total Luminaire Efficiency: 102%



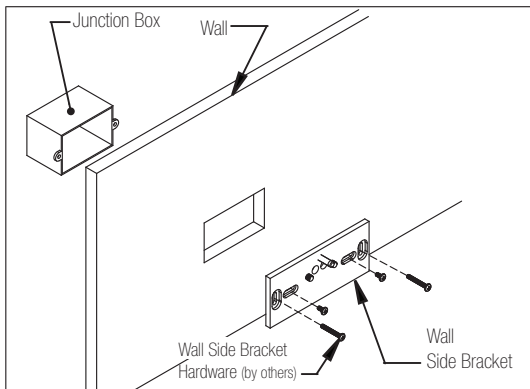
Test # 204339
Part # LC6F-1T5-4-WA
Total Luminaire Efficiency: 103%

• **INDIVIDUAL MODULES**

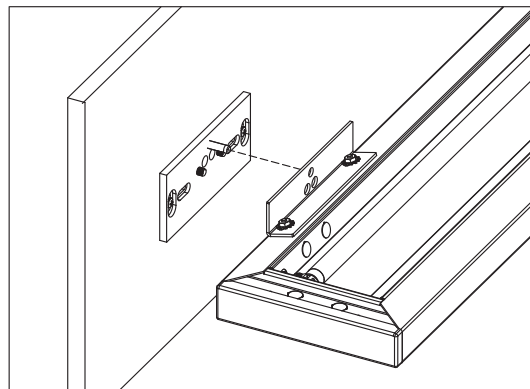


• **MOUNTING DETAILS**

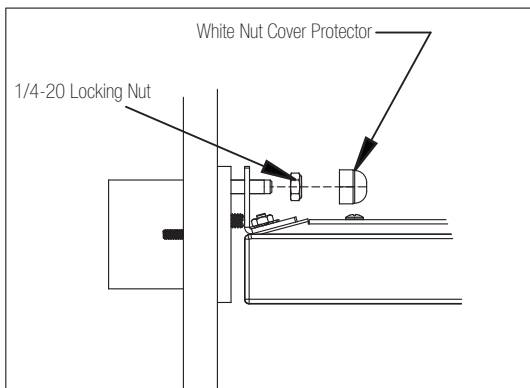
Linero easily mounts to structure using supplied wall and fixture brackets.



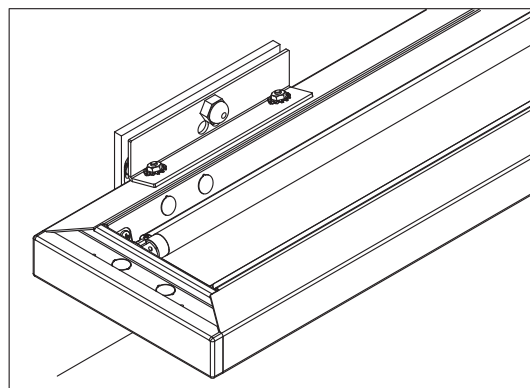
Attach wall bracket to structure



Attach fixture to wall bracket (additional steps required for power mounts)



Secure and level fixture with 1/4-20 locking nut. Cover locking nut with white protector.



Fixture installation completed.