

LINERO_{L8}

Project Name _____

Date _____

Catalog Number _____

Type _____

T5 and T8 Direct and Indirect Linear Wall



STANDARD SATINE LENS LIGHT DISTRIBUTION

Direct 20%; Indirect 80%



CONSTRUCTION One piece die-formed 18 gauge steel housing in a 8-3/16" by 1-13/16" profile. Standard 4'-0" and 8'-0" fixtures can be joined to create continuous runs.

REFLECTOR Standard high reflectance die-formed white painted aluminum with specular reflector.

ENDCAPS Die-cast aluminum endcaps are fastened with concealed hardware.

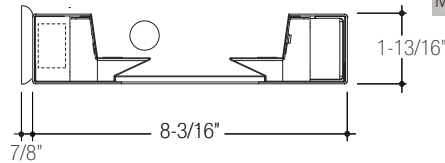
LENS Standard satine lens with optional micro-fluted, micro-conical, or micro-diffuse lens.

ELECTRICAL T5, T5H0: Program start 120/277 volt integral electronic ballast with less than 10% THD. T8: Instant start 120/277 volt electronic ballast with less than 10% THD. Through wiring with quick connects standard. Standard single circuit. Each ballast provided with disconnects to meet luminaire disconnect code requirement.

MOUNTING Fixture is mounted to structure over a switch box using a bracket.

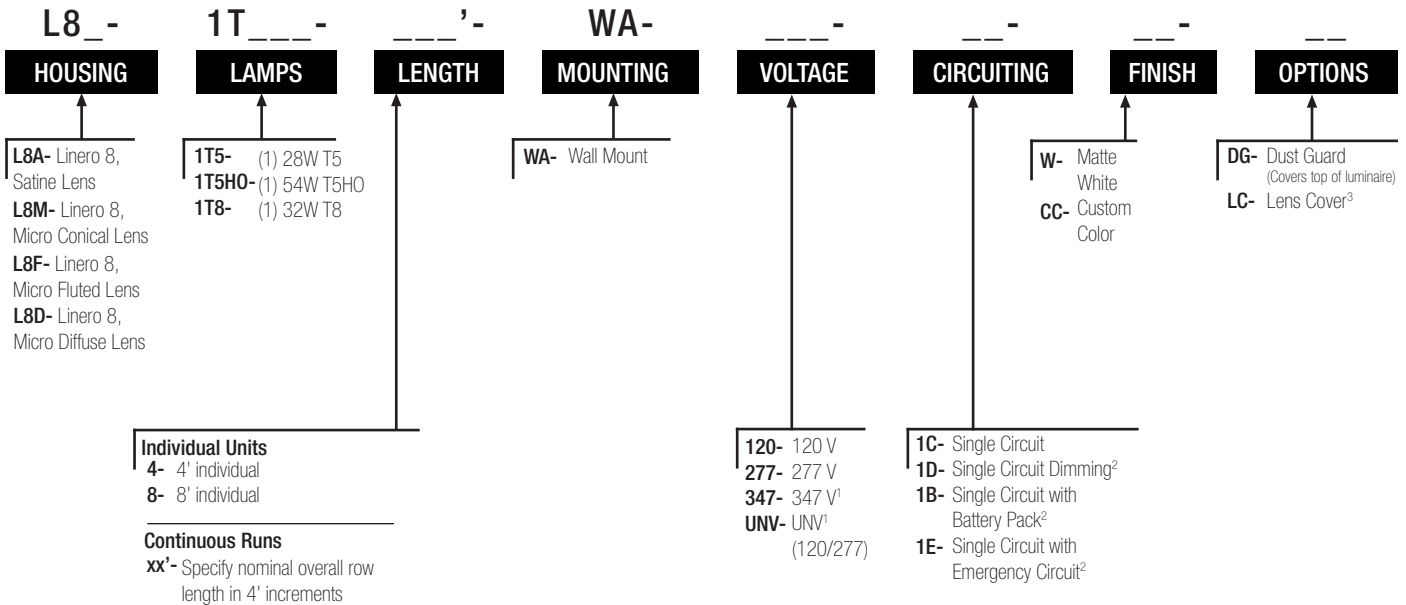
FINISH Standard powder-coat textured white painted finish. Consult factory for custom colors and finish options.

LABELS UL and cUL Listed, approved for dry/damp location unless otherwise noted.



LUMINAIRE SPECIFICATION

Sample Catalog #: L8A-1T5-32'-WA-120-1C-W

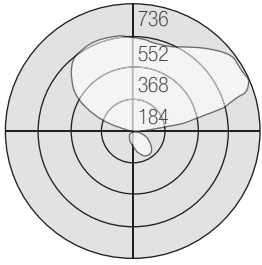


¹347 volt and UNV not available with battery packs. ²Some Linero configurations will not accommodate all electrical options. Consult factory. ³Recommended for highly transmissive lensing options.

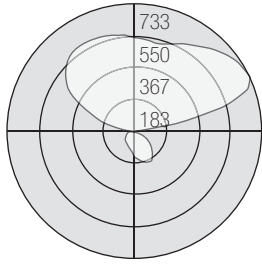


Pinnacle Architectural Lighting 12655 East 42nd Avenue, Suite 50 Denver, CO 80239
 Phone 303.322.5570 Fax 303.322.5568 www.pinnacle-ltg.com
 © 2011 Pinnacle Architectural Lighting® November 2011

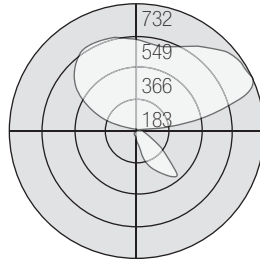
Specifications and dimensions subject to change without notice. Specification sheets that appear on pinnacle-ltg.com are the most recent version and supersede all other previously printed or electronic versions.



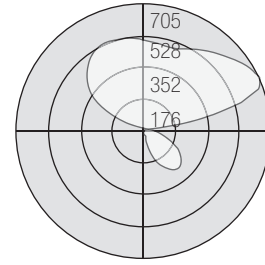
Test # 204039
Part # L8A-1T5-4-WA
Total Luminaire Efficiency: 94%



Test # 204042
Part # L8D-1T5-4-WA
Total Luminaire Efficiency: 94%

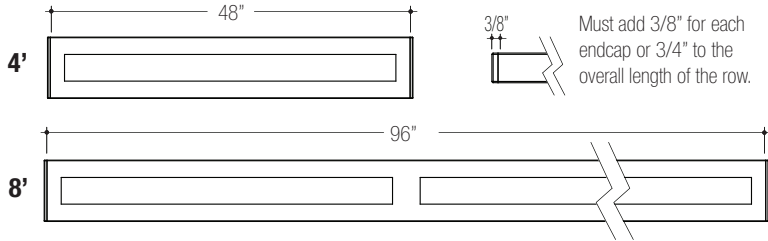


Test # 204048
Part # L8M-1T5-4-WA
Total Luminaire Efficiency: 94%

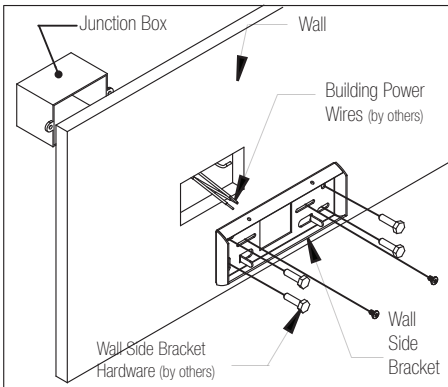


Test # 204045
Part # L8F-1T5-4-WA
Total Luminaire Efficiency: 90%

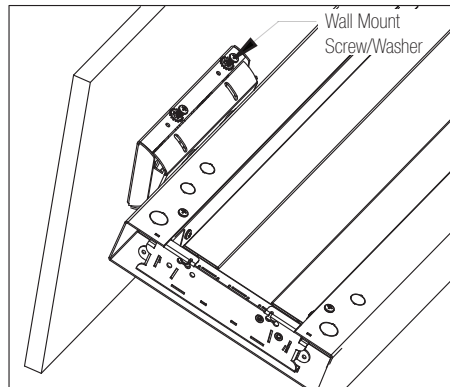
• INDIVIDUAL MODULES



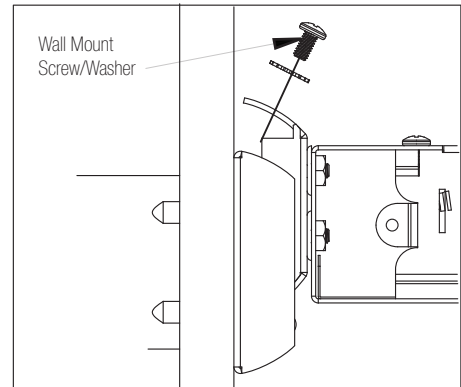
• MOUNTING



Attach wall bracket to structure (additional steps required for power mounts)



Attach fixture to wall bracket



Secure and level fixture with wall mount screw/washer.