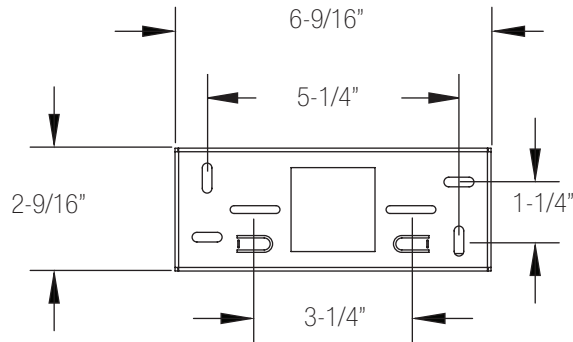
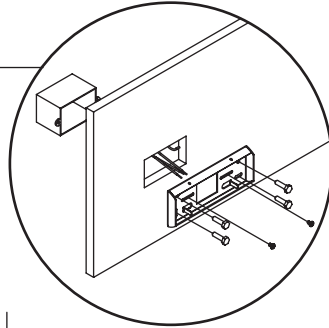


GLIDE T5/T5HO & T8 Wall Mount Instructions

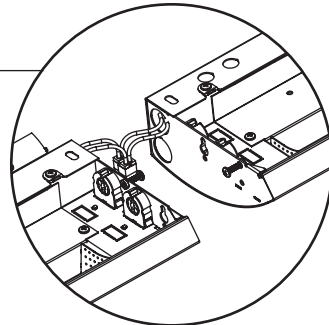
Step 1: Wall Bracket

1. Attach wall side bracket to structure via mounting hardware (by others).
2. If power side, mount bracket in line with 3x2 junction box (by others).
3. Bring power in through junction box.
4. Follow mount spacing on page 2 for additional mounting points.



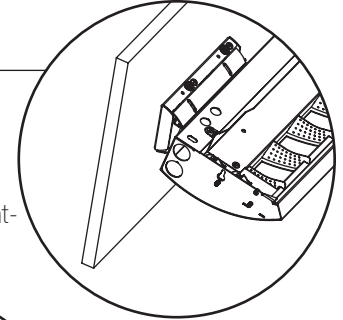
Step 3: Joining Fixtures

1. Install joining kit hardware.
2. Make wiring connections between fixtures, and recess wires into one of the fixtures.
2. Slip adjacent fixture's mounting hardware through the keyhole slots on the end plates.
4. Tighten joining hardware.

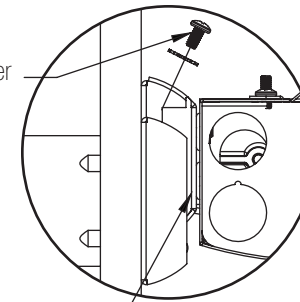


Step 2: Power Mount

1. To power fixture attach building power to fixture power wires using push nuts.
2. Recess connections into junction box.
3. Attach fixture to wall bracket as shown.
4. Make necessary adjustments laterally prior to tightening wall mount screw.



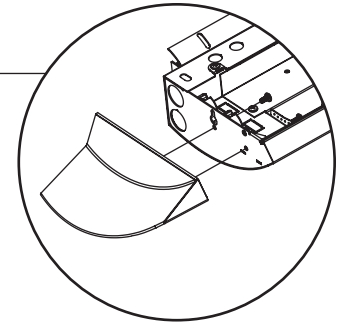
Wall Mount
Screw/ Washer

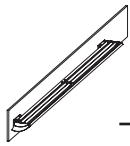


Fixture Side
Mounting Bracket

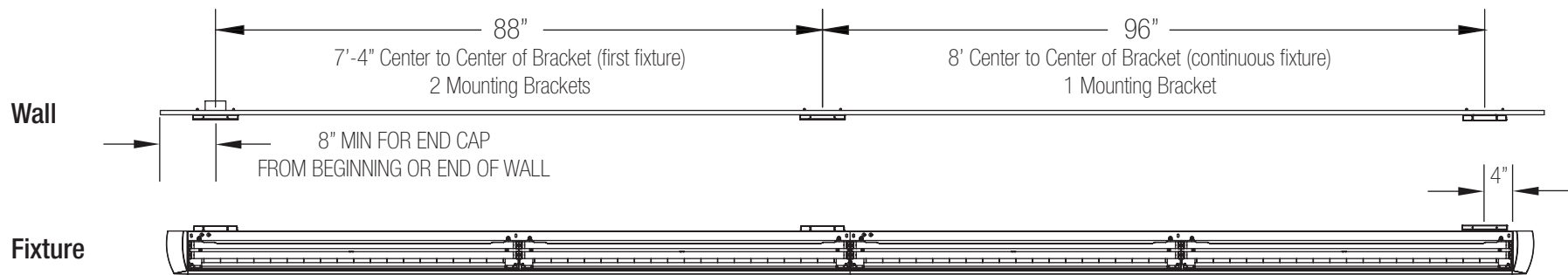
Step 2: Finishing

1. Install end caps.
2. Place against end of fixture and secure using two (2) #8-32 screws.





GLIDE T5/T5HO & T8 Wall Mount Instructions



First/ Independant Fixture Mounting Example

4' - 40" 3'-4" Center to center of bracket
8' - 88" 7'-4" Center to center of bracket

1. This product must be installed in accordance with applicable installation and electrical codes by a professional familiar with the construction and operation of the product.
2. Minimum 90°C supply conductors
3. All electrical connections must be performed by a certified electrician to applicable local and national electrical codes.
4. Do not assemble fixture together on ground and then install.

