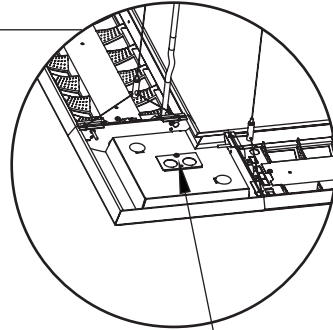




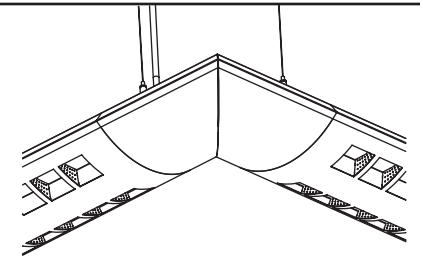
# GLIDE Corner Install Instructions

## Corner

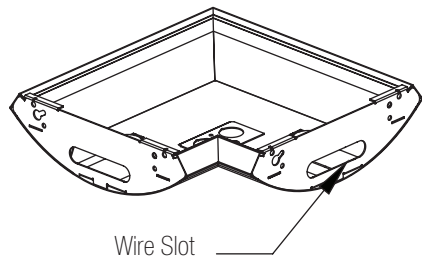
1. Attach corner to one of the fixtures prior to installation.
2. Make necessary wire connections within corner, enclose using supplied push nuts.
3. Ensure wires from housing are fed through the corner.
4. Attach joining hardware to the corner/fixture as shown.
5. Slip adjacent fixtures joining hardware through the keyhole slots.
7. Tighten joining hardware.
8. Mount fixture run according to attached fixture mounting instructions.



Electrical access cover



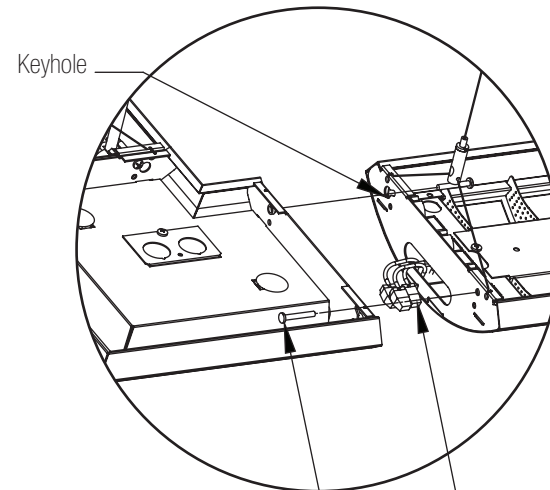
★ Corners should be used to join fixtures together and do not act as mounting location. Mounting must be done utilizing the fixture ends.



Wire Slot



Wire Slot



Keyhole

Joining Hardware Screws

Push Nuts

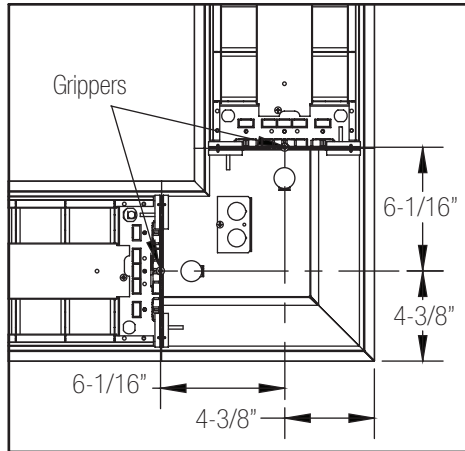
1. This product must be installed in accordance with applicable installation and electrical codes by a professional familiar with the construction and operation of the product.
2. Minimum 90°C supply conductors
3. All electrical connections must be performed by a certified electrician to applicable local and national electrical codes.
4. Do not assemble fixture together on ground and then install.



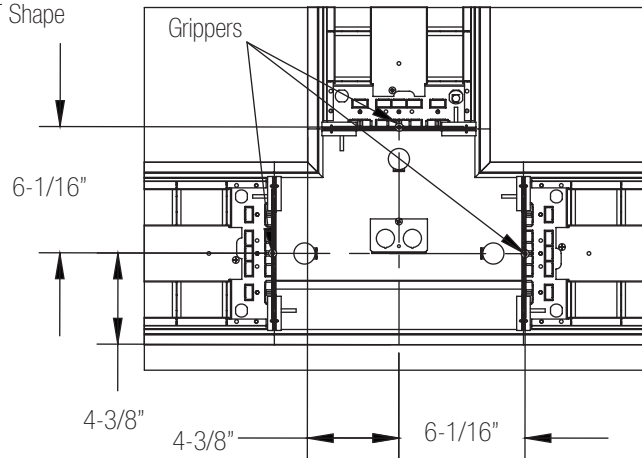


# GLIDE Corner Install Instructions

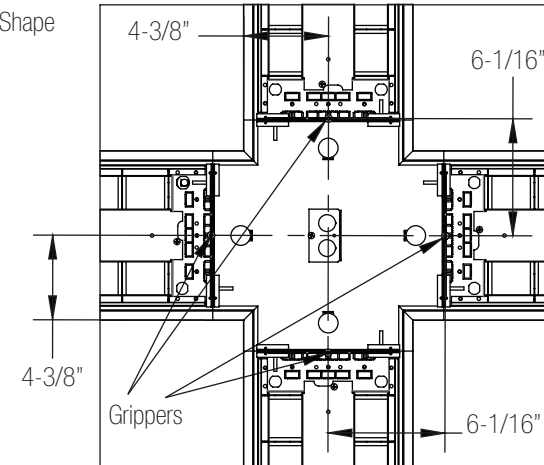
L Shape



T Shape



X Shape



1. This product must be installed in accordance with applicable installation and electrical codes by a professional familiar with the construction and operation of the product.
2. Minimum 90°C supply conductors
3. All electrical connections must be performed by a certified electrician to applicable local and national electrical codes.
4. Do not assemble fixture together on ground and then install.