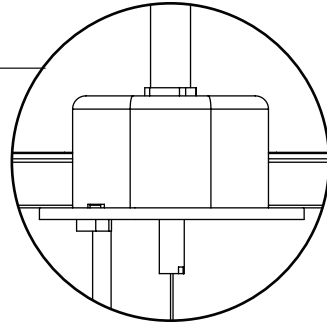


GLIDE T5/T5HO & T8 AC - to - Grid Mount

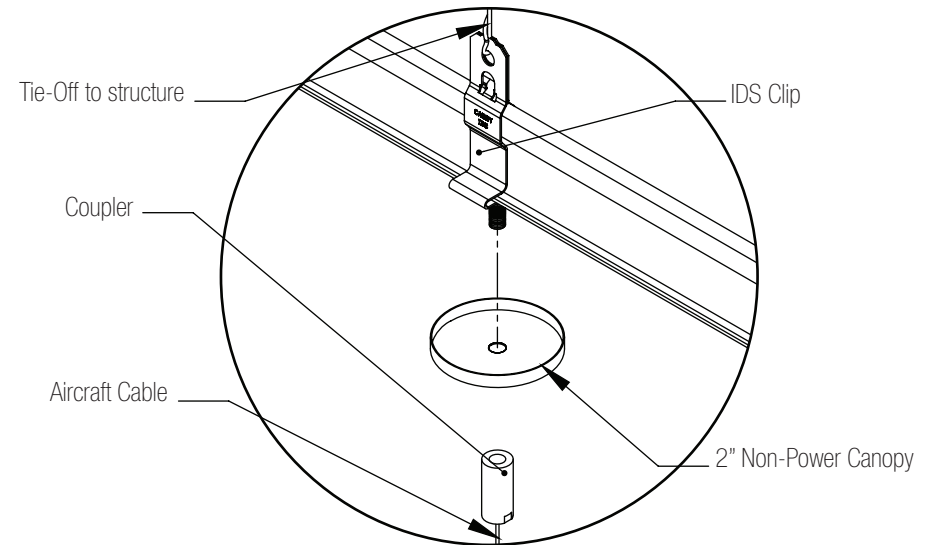
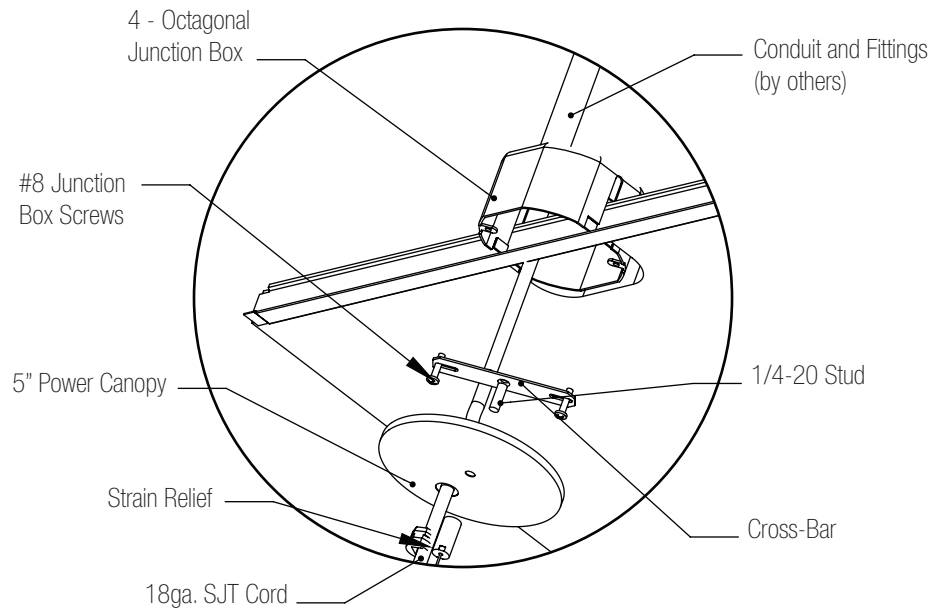
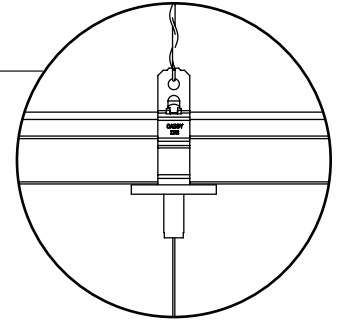
Step 1: Power at Ceiling

1. Install junction box onto T-Bar ceiling. Tie box off to structure. Install conduit from building power
2. Thread 1/4-20 stud to crossbar for power mounts. Install crossbar to junction box.
3. Run SJT cord through canopy, make necessary power connections, secure using strain relief.
4. Feed aircraft cable through coupler.
5. Secure canopy to crossbar bolts using aircraft cable coupler.



Step 2: Non Power Mount

1. Install IDS clips for non-power mounts. Tie off to structure.
2. Feed aircraft cable through coupler.
3. Secure canopy to IDS clip using aircraft cable coupler.

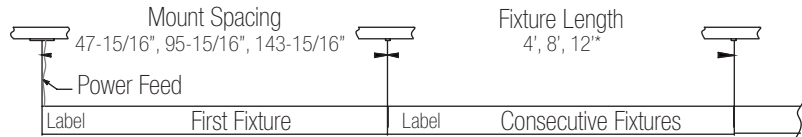
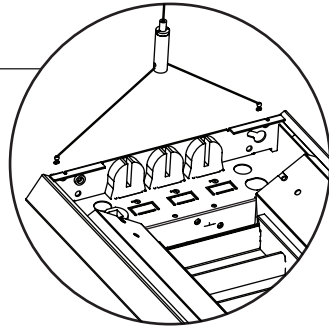




GLIDE T5/T5HO & T8 AC - to - Grid Mount

Step 3: AC Mounting

1. Slide cable ends into mounting slots.
2. Slide aircraft cable through top gripper.
3. Adjust gripper side-to-side to level fixture then tighten.
4. Repeat process for subsequent fixture(s). And re-level previous fixtures as necessary.

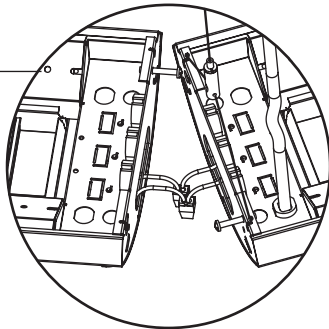


First fixture supported by two(2) mounts consecutive fixture supported by previous fixture one(1) mount.

*12' fixture length only available for some configurations.

Step 5: Joining Fixtures

1. Install joining kit hardware.
2. Make wiring connections between fixtures, and recess wires into one of the fixtures.
2. Slip adjacent fixture's mounting hardware through the keyhole slots on the end plates.
4. Tighten joining hardware.

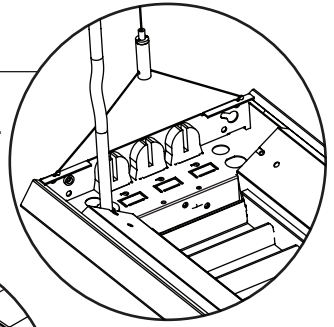
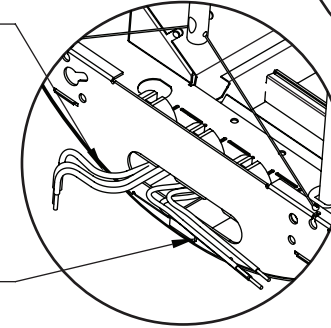


Step 4: Making the connections

1. Remove K.O.(s)
2. Feed SJT through K.O. and route wires out fixture.
3. Attach white plastic strain relief.
4. Make necessary wiring connections.
5. Ensure all wires are properly matched.

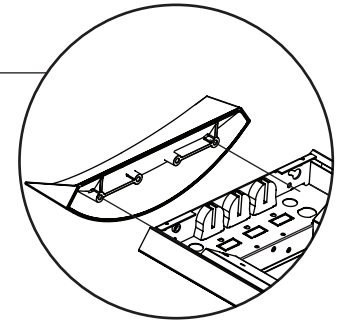
Fixture Power Wires

SJT Power Wires



Step 6: Finishing

1. Install end caps.
2. Place against end of fixture and secure using two (2) #8-32 screws.



1. This product must be installed in accordance with applicable installation and electrical codes by a professional familiar with the construction and operation of the product.
2. Minimum 90°C supply conductors
3. All electrical connections must be performed by a certified electrician to applicable local and national electrical codes.
4. Do not assemble fixture together on ground and then install.