

CONSTRUCTION One piece die-formed steel housing in a 6-1/4" by 2-1/2" profile. Standard 4'-0" and 8'-0" fixtures can be joined to create continuous runs.

REFLECTOR Standard high reflectance die-formed white painted aluminum.

ENDCAPS Precision die-cast sculpted endcaps are fastened with concealed hardware.

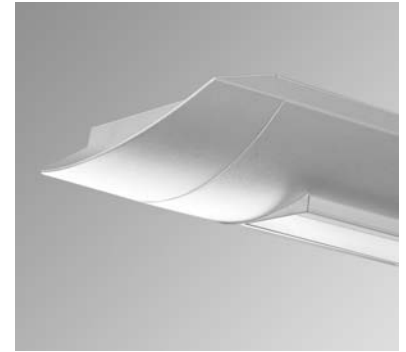
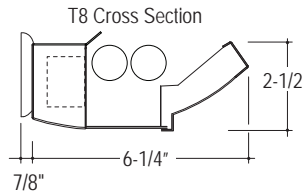
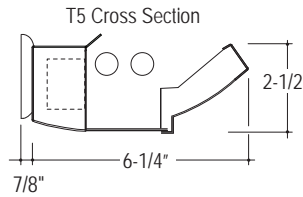
LENS Satine Lens is .125" diffuse acrylic with matte finish.

ELECTRICAL T5, T5HO: Program start 120/277 volt integral electronic ballast with less than 10% THD. T8: Instant start 120/277 volt electronic ballast with less than 10% THD. Through wiring with quick connects standard. Standard single circuit. Each ballast provided with disconnects to meet luminaire disconnect code requirement.

MOUNTING Fixture is mounted to structure mounted over a switch box using an adjustable bracket.

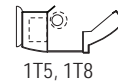
FINISH Standard powder-coat white painted finish. Consult factory for custom color and finish options.

LABELS UL and cUL Listed and approved for dry/damp location.

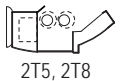


STANDARD LIGHT DISTRIBUTION
Direct 30%; Indirect 70%

Lamp Options



1T5, 1T8



2T5, 2T8

LUMINAIRE SPECIFICATION

Sample Catalog #: G9A-1T5HO-32'-WA-120-1C-W

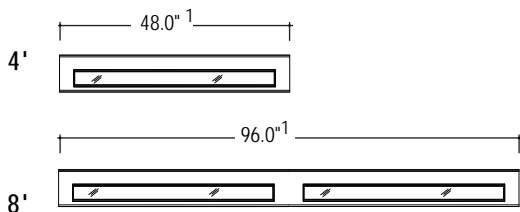
G9A-	T5	---	WA-	---	---	---	---
PRODUCT	LAMPS	LENGTH	MOUNTING	VOLTAGE	CIRCUITING ²	FINISH	OPTIONS
G9A-Glide Direct/Indirect indoor luminaire with satine lens	1T5- (1) 28W T5 2T5- (2) 28W T5 1T5HO-(1) 54W T5HO 2T5HO-(2) 54W T5HO 1T8- (1) 32W T8 2T8- (2) 32W T8	Individual Units 4- 4' 8- 8' Continuous Runs xx'- Specify nominal overall row length in 4' increments	WA- Wall Mount	120- 120 V 277- 277 V 347- 347 V ¹ UNV- UNV ¹ (120/277)	1C- Single Circuit 2C- Dual Circuit ^{2,3} 1D- Single Circuit Dimming ² 2D- Dual Circuit Dimming ^{2,3} 1E- Single Circuit with Emergency Circuit ² 2E- Dual Circuit with Emergency Circuit ^{2,3} 1B- Single Circuit with Battery Pack ²	W- Matte White CC- Custom Color	DG- Dust Guard (Covers top of luminaire)

¹347 volt and UNV not available with battery packs.

²Some Glide configurations will not accommodate all electrical options. Consult factory.

³2 lamps switched side-by-side.

Individual luminaires

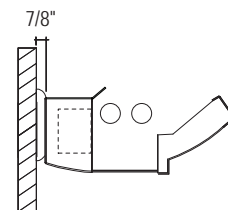


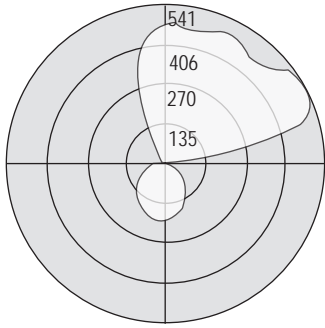
¹Endcaps

Must add 3" for each endcap or 6" to the overall length of the row.

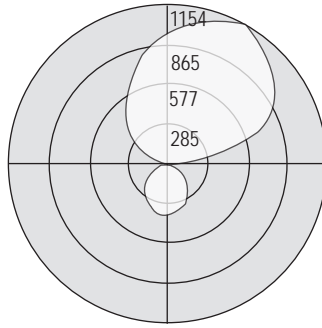


Mounting Detail





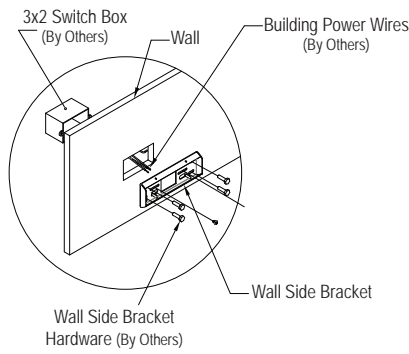
Test #: 203374
 Part #: G9A-1T5-WA
 Total Luminaire Efficiency: 65.0%
 Direct: 30%; Indirect: 70%



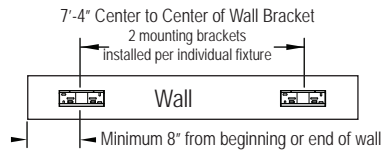
Test #: 203377
 Part #: G9A-2T5-WA
 Total Luminaire Efficiency: 70.4%
 Direct: 30%; Indirect: 70%

● MOUNTING DETAIL

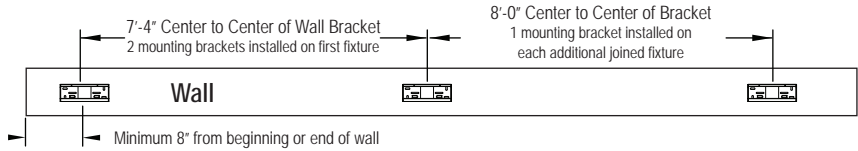
Wall Side Mounting



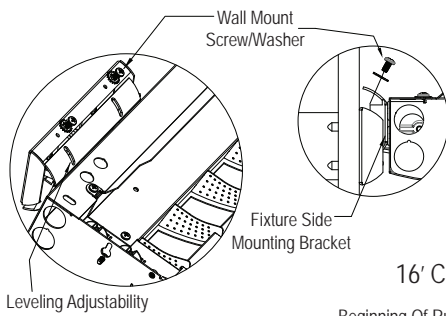
8' Individual Fixture Example



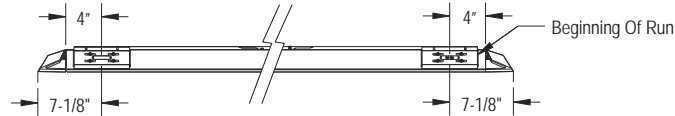
16' Continuous Run Example (2-8' fixture joined)



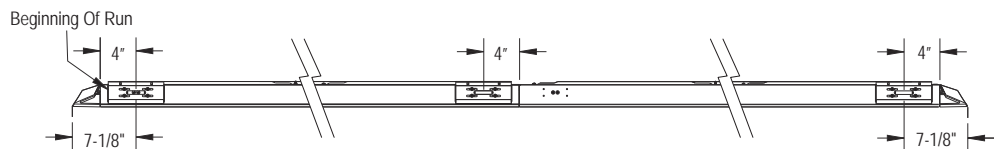
Fixture Side Mounting



8' Individual Fixture Example



16' Continuous Run Example (2-8' fixture joined)



● STANDARD ROW CONFIGURATION

Pinnacle Architectural Lighting utilizes standard row configurations for continuous runs. Please consult factory if a project requires non-standard row configurations.

Individual Length	Nominal Row Length																			
	4	8	12	16	20	24	28	32	36	40	44	48	52	56	60	64	68	72	76	80
4'	1		1		1		1		1		1		1		1		1		1	
8'		1	1	2	2	3	3	4	4	5	5	6	6	7	7	8	8	9	9	10