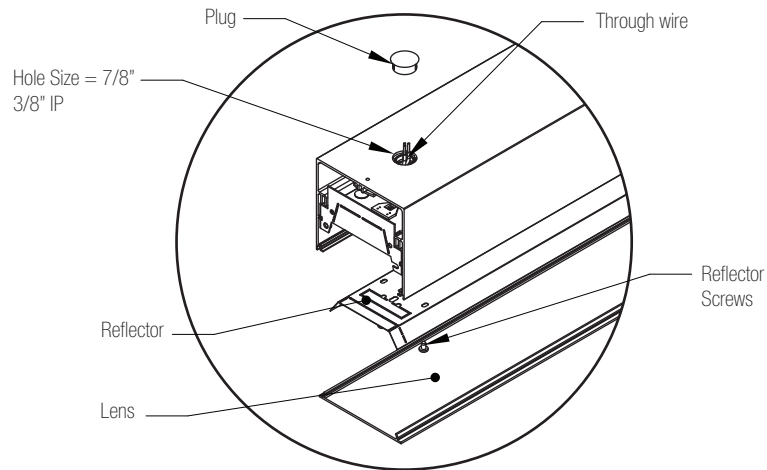


EDGE EX33 EX44 T5/T5HO/T8 Surface Mount Instructions

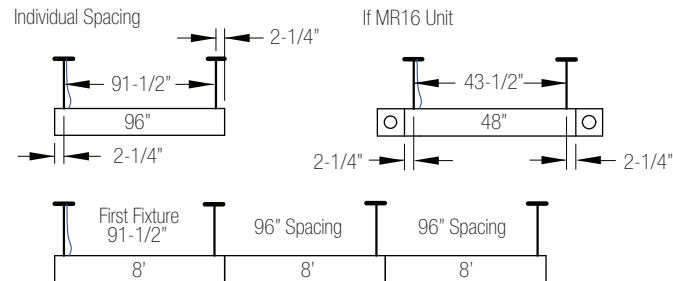
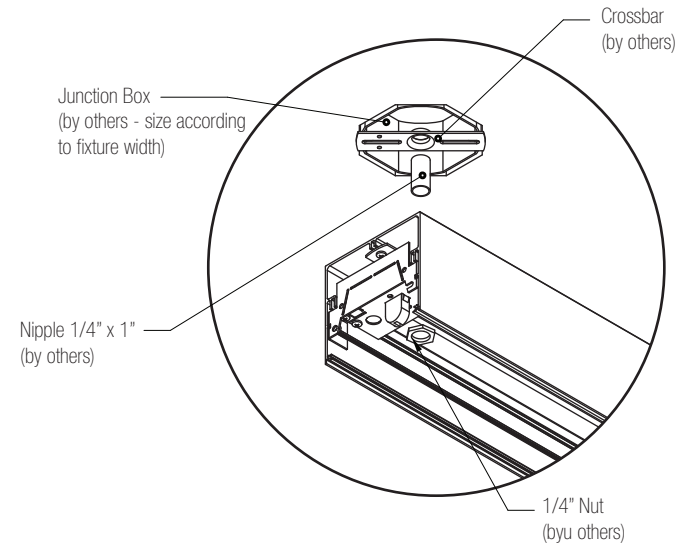
Step 1: Fixture Prep

1. Remove top plug from both ends of beginning of run fixture(s) and on end of continuous fixture(s)
2. Remove lens/ louver options from fixture(s).
3. Remove reflector from housing by removing reflector screws.
4. Feed necessary through wires out of top access hole.



Step 2: Mounting and Power

1. Install junction box (by others) with crossbar (by others) into ceiling.
2. Mount fixture to crossbar using a nipple (by others).
3. Feed wires through nipple and connect to building power ensuring all wires are properly matched.
4. Subsequent non power locations mount to structure.



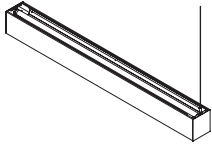
Mount Spacing Example Rows
 Fixture Lengths: 48", 96", 144" (add 6" per MR16)
 End Plates Not Included

First/ Individual Fixture
 Mount Spacing (C-to-C)
 4' = 43-1/2"
 8' = 91-1/2"
 12' = 139-1/2"

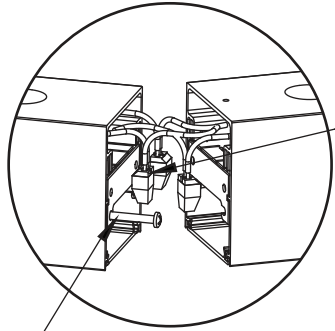
EX33 width = 2-7/8"
 EX44 width = 4-7/16"



1. This product must be installed in accordance with applicable installation and electrical codes by a professional familiar with the construction and operation of the product.
2. Minimum 90°C supply conductors
3. All electrical connections must be performed by a certified electrician to applicable local and national electrical codes.
4. Fixtures must be mounted directly to structure.

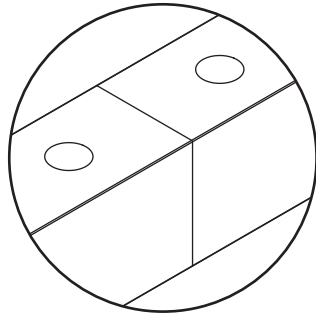


EDGE EX33 EX44 T5/T5HO/T8 Surface Mount Instructions



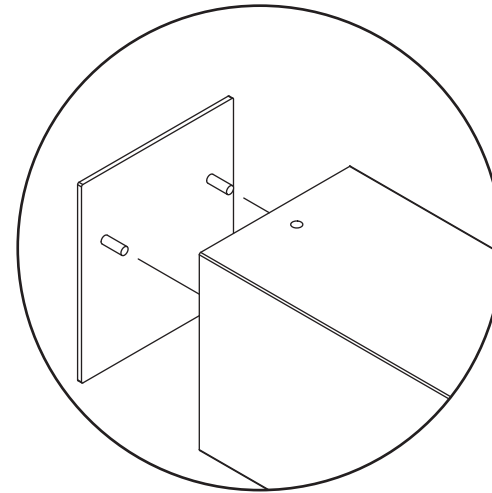
Quick Connects

#8-32x1-1/8" Bolt



Step 3: Joining Fixtures

1. Install first fixture with two (2) mounting points.
2. Subsequent fixtures use one (1) mount.
3. Install two (2) #8-32 bolt into each fixture as shown.
4. Raise adjoining fixture and slip bolt heads through key-hole slot.
5. Attach mounting to fixture as previously shown.
6. Make necessary wiring connections between fixtures ensuring all wires are properly matched.
7. Tighten the previously installed #8-32x1-1/8" (1/2 turn past hand tight) to complete joining and create ground.

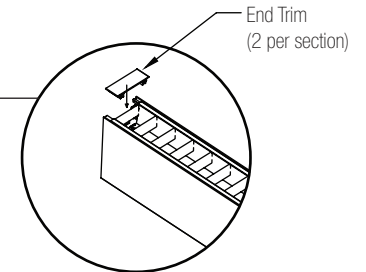


Step 4: Finishing

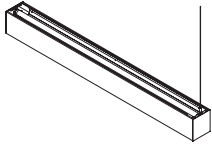
1. Install end plates prior to lens/louver installation.
2. Place against end of fixture and secure using two (2) #6-32 nuts.

EX33 Louver End Trim

1. Install End Trim after louver installation.
Two (2) per 4' section
Three (3) per 8' section
Four (4) per 12' section



1. This product must be installed in accordance with applicable installation and electrical codes by a professional familiar with the construction and operation of the product.
2. Minimum 90°C supply conductors
3. All electrical connections must be performed by a certified electrician to applicable local and national electrical codes.
4. Fixtures must be mounted directly to structure.



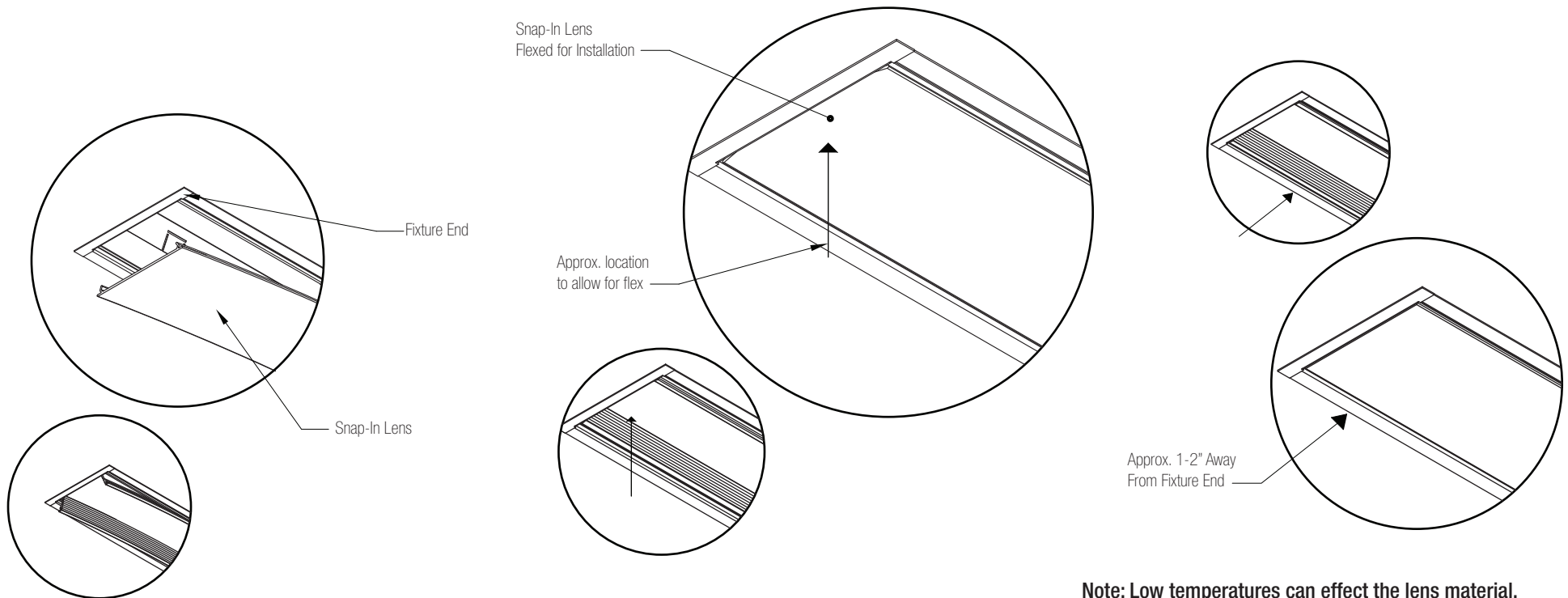
EDGE Snap In Lens Lensing detail sheet

Lens Installation

1. Begin at one end of the fixture and insert lens into appropriate position where it will snap into place.
2. Gradually insert the lens along the length of the fixture, snapping it into place as you go.
3. If at any point the lens becomes difficult to insert press slightly into the center of the lens in order to allow for it to flex, temporarily decreasing the width of the lens.

Lens Removal

1. Insert a rigid object approx. 1/16" thick, such as a quarter, into the edge between the lens and the fixture, approx. 1-2" from the end of the lens. (6" for regress lens)
2. Using said object, gently pry lens away from fixture until it is released from the mounting edge.
3. Once the section is released, start at one end of the fixture and pull the lens out of the fixture.



Note: Low temperatures can effect the lens material, making it brittle. Please allow the lenses to warm to room temperature before installation.