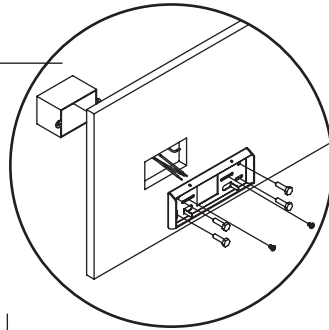
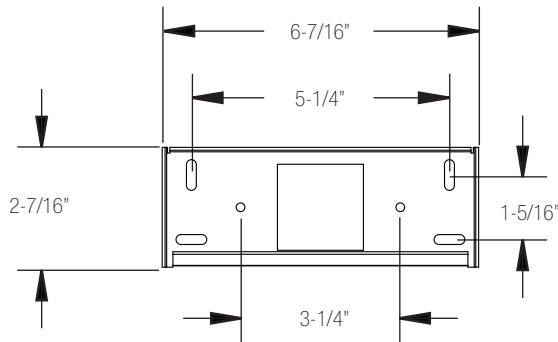


# EDGE EX<sub>2</sub> EX<sub>4</sub> T5/T5HO/T8 Wall Mount Instructions

## Step 1: Wall Bracket

1. Attach wall side bracket to structure via mounting hardware (by others).
2. If power side, mount bracket in line with 2x4 junction box (by others).
3. Bring power in through junction box.
4. Follow mount spacing on page 2 for additional mounting points.

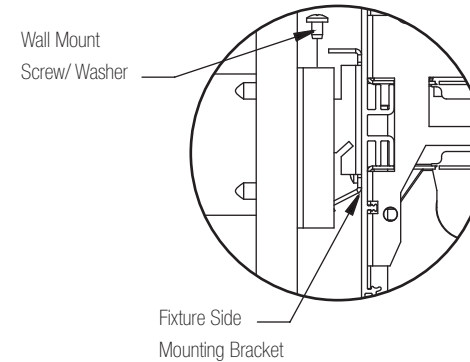
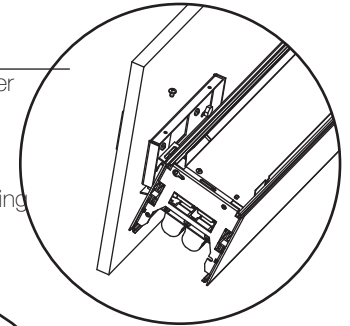
*(Note: See page 2 for additional mount dimensions)*



## Step 2: Power Mount

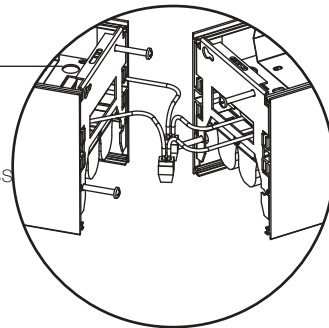
1. To power fixture attach building power to fixture power wires using push nuts.
2. Recess connections into junction box.
3. Attach fixture to wall bracket as shown.
4. Make necessary adjustments laterally prior to tightening wall mount screw.

*(Note: See page 2 for additional mount dimensions)*



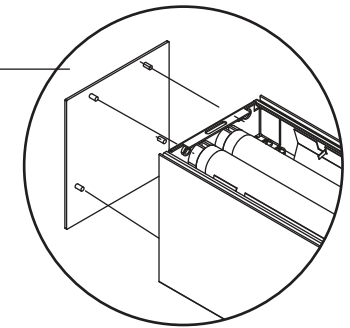
## Step 3: Joining Fixtures

1. Install joining kit hardware.
2. Slip adjacent fixture's mounting hardware through the keyhole slots on the end plates.
3. Make wiring connections between fixtures, and recess wires into one of the fixtures.
4. Tighten joining hardware.

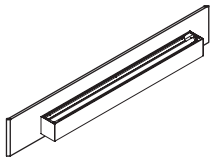


## Step 4: Finishing

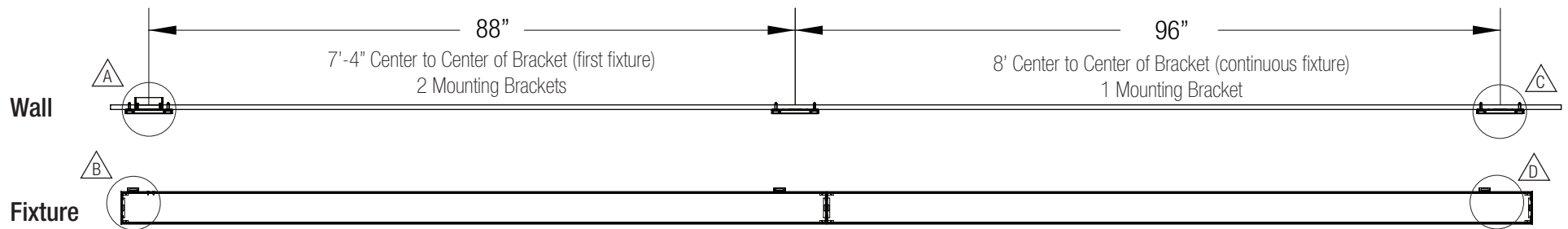
1. Install end caps.
2. Place against end of fixture and secure using four (4) #8-32 screws.



1. This product must be installed in accordance with applicable installation and electrical codes by a professional familiar with the construction and operation of the product.
2. Minimum 90°C supply conductors
3. All electrical connections must be performed by a certified electrician to applicable local and national electrical codes.
4. Do not assemble fixture together on ground and then install.



# EDGE EX<sub>2</sub> EX<sub>4</sub> T5/T5HO/T8 Wall Mount Instructions

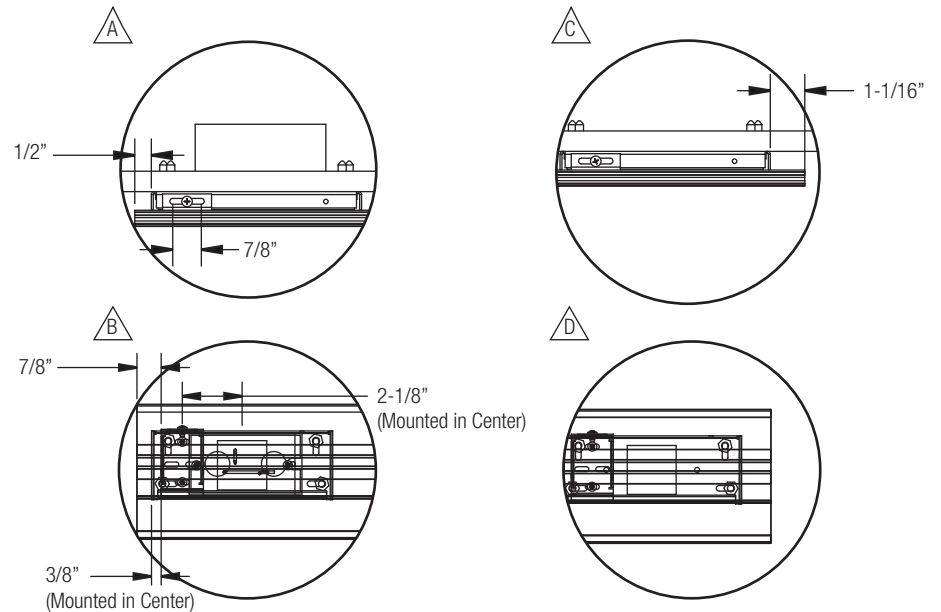


### First/ Independent Fixture Mounting Example

4' - 40"      3'-4" Center to center of bracket  
8' - 88"      7'-4" Center to center of bracket

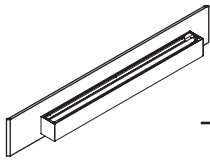
### Intermediate/ End Fixture Mounting Example

4' - 48"      4'-0" Center to center of bracket  
8' - 96"      8'-0" Center to center of bracket



1. This product must be installed in accordance with applicable installation and electrical codes by a professional familiar with the construction and operation of the product.
2. Minimum 90°C supply conductors
3. All electrical connections must be performed by a certified electrician to applicable local and national electrical codes.
4. Do not assemble fixture together on ground and then install.





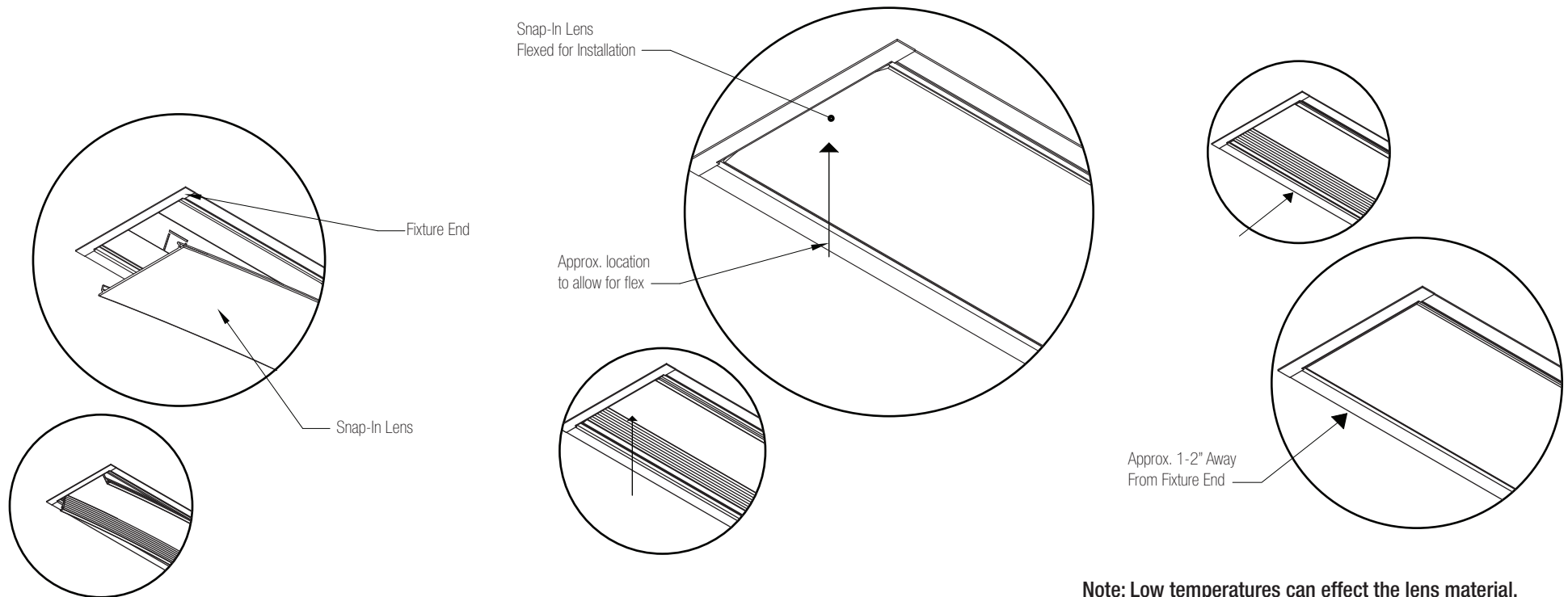
# EDGE Snap In Lens Lensing detail sheet

## Lens Installation

1. Begin at one end of the fixture and insert lens into appropriate position where it will snap into place.
2. Gradually insert the lens along the length of the fixture, snapping it into place as you go.
3. If at any point the lens becomes difficult to insert press slightly into the center of the lens in order to allow for it to flex, temporarily decreasing the width of the lens.

## Lens Removal

1. Insert a rigid object approx. 1/16" thick, such as a quarter, into the edge between the lens and the fixture, approx. 1-2" from the end of the lens. (6" for regress lens)
2. Using said object, gently pry lens away from fixture until it is released from the mounting edge.
3. Once the section is released, start at one end of the fixture and pull the lens out of the fixture.



**Note: Low temperatures can effect the lens material, making it brittle. Please allow the lenses to warm to room temperature before installation.**