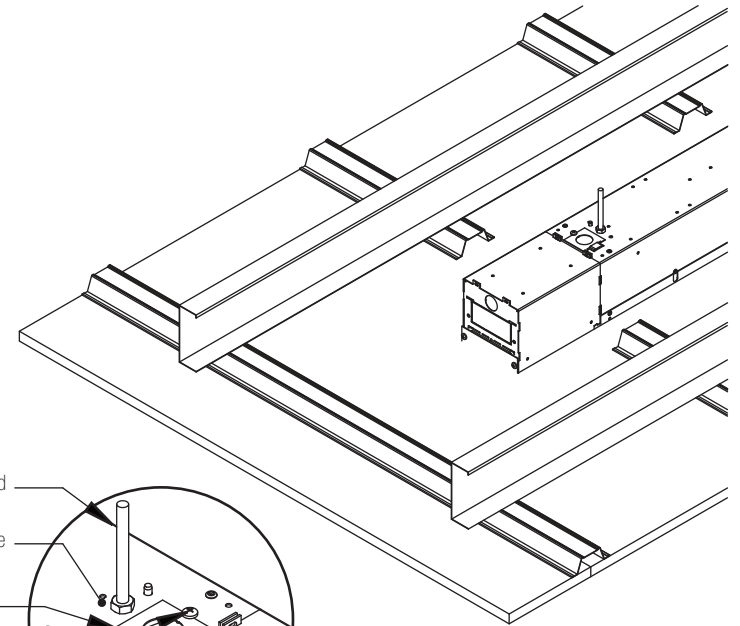
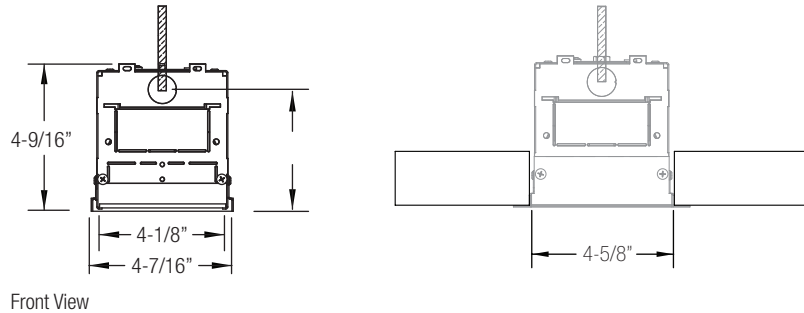


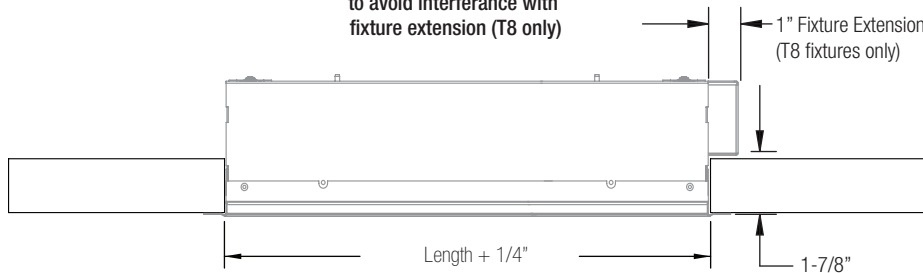
# EDGE4 T5/ T5HO/ T8 NF - MR16 Unit Installs

Recommended for millwork, metal pan ceilings. Also applicable for sheetrock ceilings with mud trim, supplied by others.

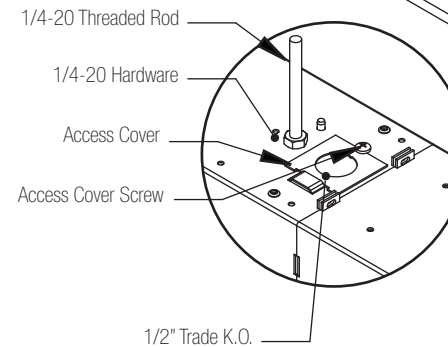
**\* Do not screw into side of housing. \***



**\* Do not block at end of fixture/ run \***  
to avoid interference with  
fixture extension (T8 only)



Opening can not be smaller than 4-1/2". An "End Trim" may be used as a gauge for ensuring minimum width.  
Always install lenses during installation and louvers AFTER ALL finishing work has been completed.



## Step 1: Layout/ Dimensions

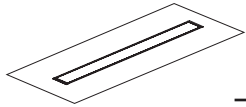
1. Layout fixture and threaded rod locations
2. Layout and install junction boxes and whip out below ceiling level.
3. Install 1/4-20 threaded rod to structure.
4. Install ceiling material.
5. Cut out the fixture rough-in.
6. Install L-Mud trim (by others) around perimeter of opening.

## Step 2: Making the Connections

1. Attach end trim to end fixtures using #8-32 self tapping screws.
2. Remove applicable access cover.
3. Attach conduit to access cover using 1/2" trade fittings.
4. Make electrical connections inside fixture.
5. Replace access cover.

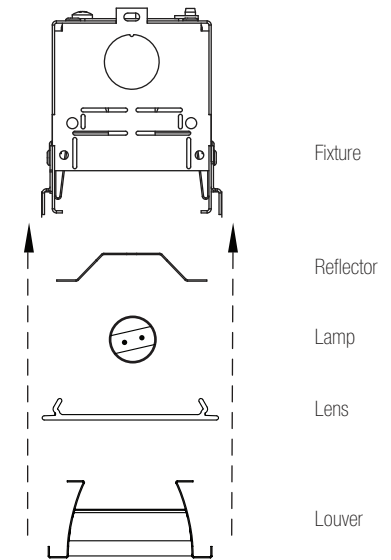
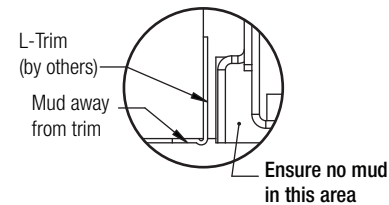
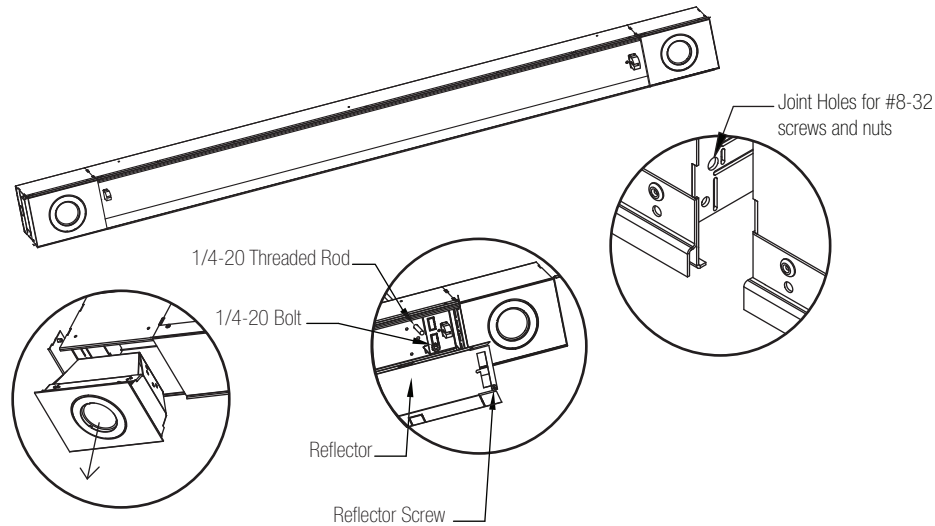


1. This product must be installed in accordance with applicable installation and electrical codes by a professional familiar with the construction and operation of the product.
2. Minimum 90°C supply conductors
3. All electrical connections must be performed by a certified electrician to applicable local and national electrical codes.
4. Fixtures must be mounted directly to structure.



# EDGE4 T5/ T5HO/ T8 NF - MR16 Unit Installs

Recommended for millwork, metal pan ceilings. Also applicable for sheetrock ceilings with mud trim, supplied by others.



### Step 3: MR16 Mounting

1. Remove lens/ louver and reflector. (fixtures are through-wired)
2. Remove end knock-outs between fixtures.
3. Lift and rotate MR16 module into place using the Inline tans and locks to secure fixture.
4. Make necessary wiring connections between fixtures (MR-16 transformer is located inside main housing.)
5. Remove internal MR16 unit from fixture housing to access joining hardware location.
6. Secure fixtures together using supplied #8-32 screws and nuts.
7. Replace internal MR16 unit.

### Step 4: Installing the Fixture

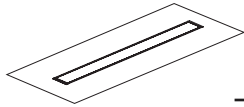
1. Remove lens or louver and reflector.
2. Surface mount fixtures through mounting slot to threaded rod.

### Step 6: Finishing

1. Re-install reflector
2. Install lamps.
3. Install lens or louver.

1. This product must be installed in accordance with applicable installation and electrical codes by a professional familiar with the construction and operation of the product.
2. Minimum 90°C supply conductors
3. All electrical connections must be performed by a certified electrician to applicable local and national electrical codes.
4. Fixtures must be mounted directly to structure.





# EDGE4 T5/ T5HO/ T8 NF - MR16 Unit Installs

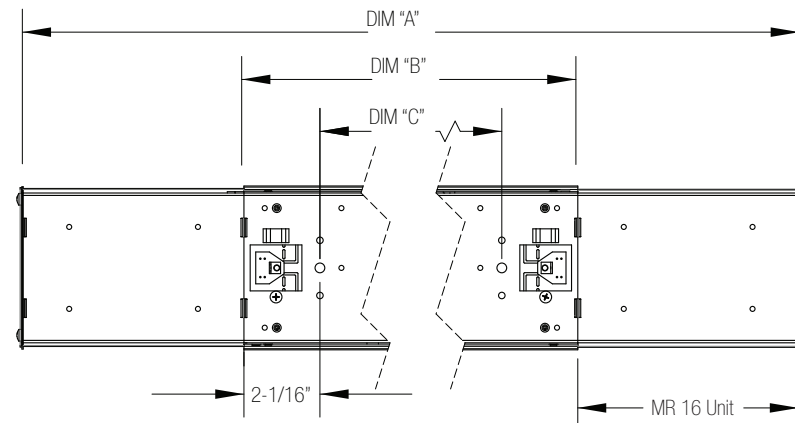
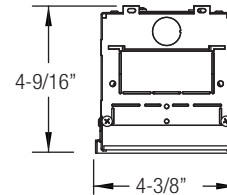
Recommended for millwork, metal pan ceilings. Also applicable for sheetrock ceilings with mud trim, supplied by others.

## T5 Row Length Examples

Fixture Type	Nominal Length	DIM "A"	DIM "B"	DIM "C"
M2 or 2M	2' 6"	2' 5"	23"	1' 6-7/8"
M2M	3'	2' 11"	23"	1' 6-7/8"
M3 or 3M	3' 6"	3' 5"	35"	2' 6-7/8"
M3M	4'	3' 11"	35"	2' 6-7/8"
M4 or 4M	4' 6"	4' 5"	47"	3' 6-7/8"
M4M	5'	4' 11"	47"	3' 6-7/8"
M6 or 6M	6' 6"	6' 5"	71"	5' 6-7/8"
M6M	7'	6' 11"	71"	5' 6-7/8"
M8 or 8M	8' 6"	8' 5"	95"	7' 6-7/8"
M8M	9'	8' 11"	95"	7' 6-7/8"

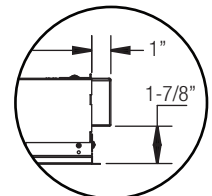
## T8 Row Length Examples

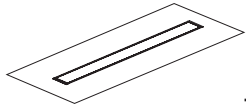
Fixture Type	Nominal Length	DIM "A"	DIM "B"	DIM "C"
M2 or 2M	2' 6"	2' 5"	23"	1' 6-7/8"
M3 or 3M	3' 6"	3' 5"	35"	2' 6-7/8"
M4 or 4M	4' 6"	4' 5"	47"	3' 6-7/8"
M4M	5'	5'	48"	3' 7-7/8"
M6 or 6M	6' 6"	6' 5"	71"	5' 6-7/8"
M6M	7'	7'	72"	5' 7-7/8"
M8 or 8M	8' 6"	8' 5"	95"	7' 6-7/8"
M8M	9'	9'	96"	7' 7-7/8"



### Row Configuration Notes:

- Actual row lengths vary from "Nominal"
- A factory submittal drawing is created for any MR-16 fixtures and is required for installation.
- Battery fixtures have test switch and indicator light removed (conduit and J-box by others.)
- 23", 35", 47", and 95" T8 fixtures utilize a 1" long fixture extension on one end of the housing.





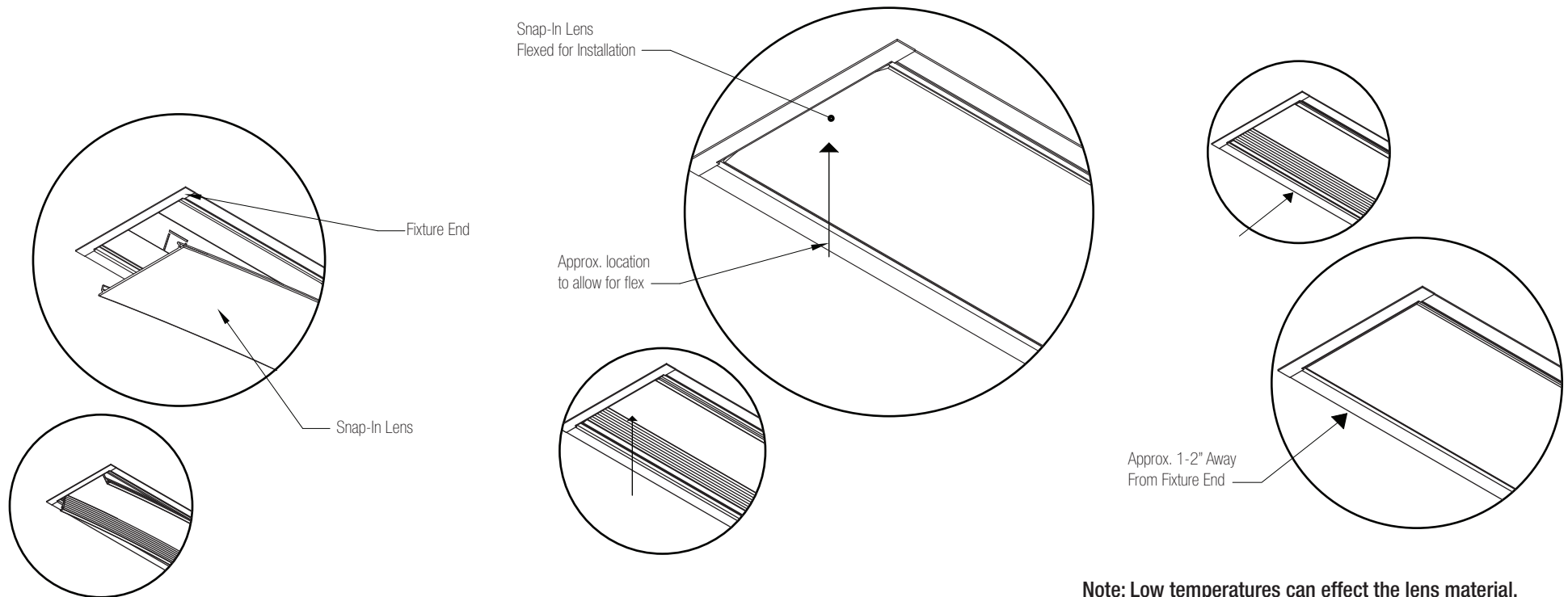
# EDGE Snap In Lens Lensing detail sheet

## Lens Installation

1. Begin at one end of the fixture and insert lens into appropriate position where it will snap into place.
2. Gradually insert the lens along the length of the fixture, snapping it into place as you go.
3. If at any point the lens becomes difficult to insert press slightly into the center of the lens in order to allow for it to flex, temporarily decreasing the width of the lens.

## Lens Removal

1. Insert a rigid object approx. 1/16" thick, such as a quarter, into the edge between the lens and the fixture, approx. 1-2" from the end of the lens. (6" for regress lens)
2. Using said object, gently pry lens away from fixture until it is released from the mounting edge.
3. Once the section is released, start at one end of the fixture and pull the lens out of the fixture.



**Note: Low temperatures can effect the lens material, making it brittle. Please allow the lenses to warm to room temperature before installation.**