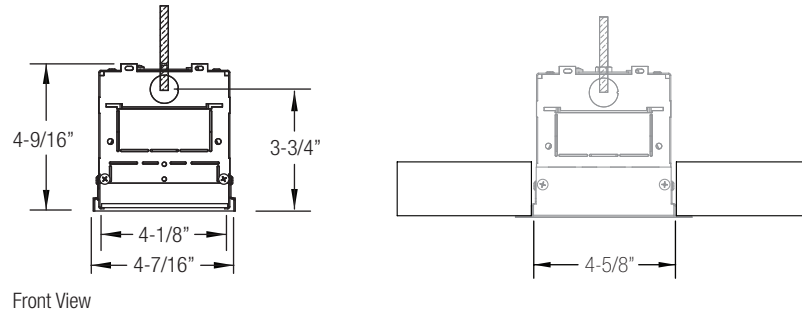


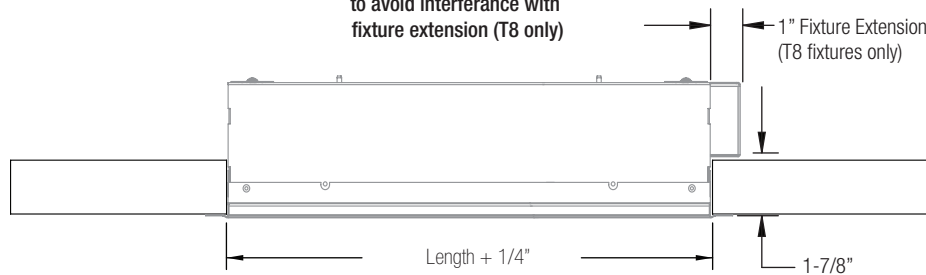
EDGE4 T5/T5HO/T8 Non Flanged - Inaccessible Installation

Recommended for millwork, metal pan ceilings. Also applicable for sheetrock ceilings with mud trim, supplied by others.

*** Do not screw into side of housing. ***



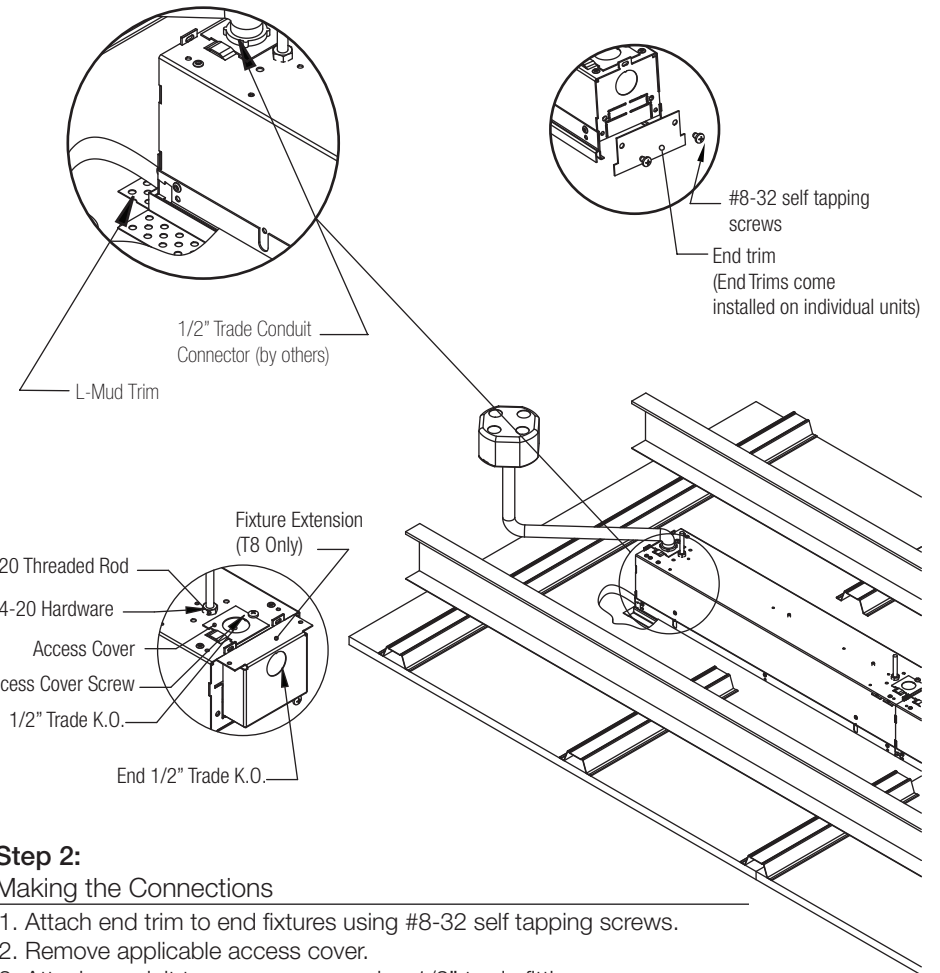
*** Do not block at end of fixture/ run ***
to avoid interference with
fixture extension (T8 only)



Opening can not be smaller than 4-1/2". An "End Trim" may be used as a gauge for ensuring minimum width.
Always install lenses during installation and louvers AFTER ALL finishing work has been completed.

Step 1: Layout/ Dimensions

1. Layout fixture and threaded rod locations
2. Layout and install junction boxes and whip out below ceiling level.
3. Install 1/4-20 threaded rod to structure.
4. Install ceiling material.
5. Cut out the fixture rough-in.
6. Install L-Mud trim (by others) around perimeter.

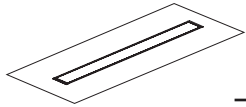


Step 2: Making the Connections

1. Attach end trim to end fixtures using #8-32 self tapping screws.
2. Remove applicable access cover.
3. Attach conduit to access cover using 1/2" trade fittings.
4. Make electrical connections inside fixture.
5. Replace access cover.

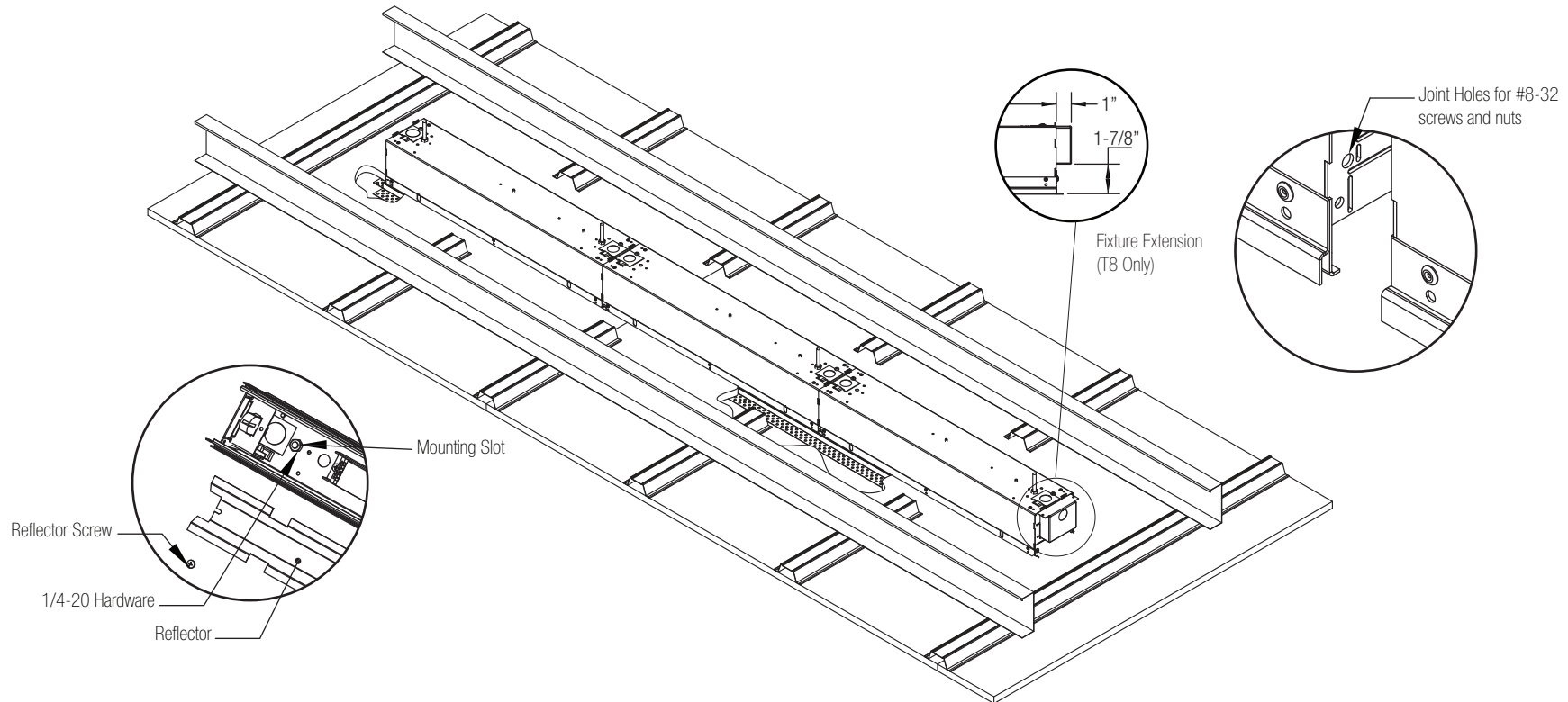
1. This product must be installed in accordance with applicable installation and electrical codes by a professional familiar with the construction and operation of the product.
2. Minimum 90°C supply conductors
3. All electrical connections must be performed by a certified electrician to applicable local and national electrical codes.
4. Fixtures must be mounted directly to structure.





EDGE4 T5/T5HO/T8 Non Flanged - Inaccessible Installation

Recommended for millwork, metal pan ceilings. Also applicable for sheetrock ceilings with mud trim, supplied by others.



Step 3: Individual or First Fixture

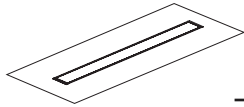
1. Remove lens or louver and reflector.
2. Surface mount fixture through mounting slot to threaded rod.
3. If first fixture remove end knock outs for through wiring.

Step 4: Continuous Rows

1. Remove lens or louver and reflector.
2. Fixtures are through-wired for continuous runs.
3. Remove end knock-outs between fixtures.
4. Lift and rotate fixture into place secure to previous fixture using joint holes.
5. Surface mount fixture through mounting slot to threaded rod.
6. Make necessary wiring connections between fixtures.
7. Secure fixtures together using supplied #8-32 Screws and nuts.

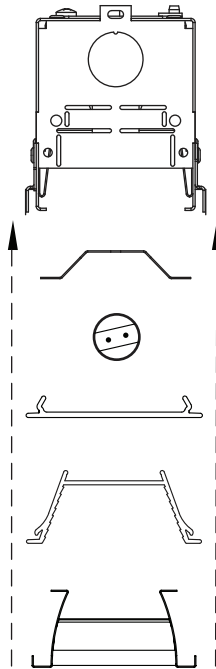
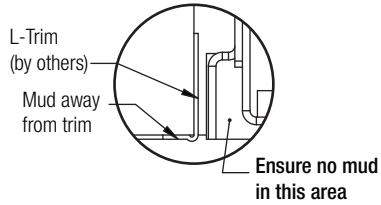
1. This product must be installed in accordance with applicable installation and electrical codes by a professional familiar with the construction and operation of the product.
2. Minimum 90°C supply conductors
3. All electrical connections must be performed by a certified electrician to applicable local and national electrical codes.
4. Fixtures must be mounted directly to structure.





EDGE4 T5/T5HO/T8 Non Flanged - Inaccessible Installation

Recommended for millwork, metal pan ceilings. Also applicable for sheetrock ceilings with mud trim, supplied by others.



Fixture

Reflector

Lamp

Lens

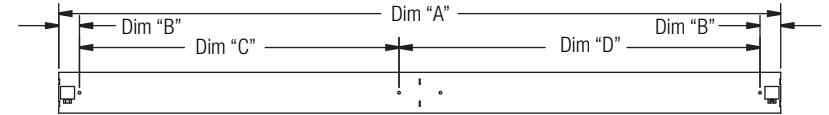
Regress Lens

Louver

Step 5: Finishing

1. Re-install reflector.
2. Install lamps.
3. Install lens, regress lens or louver.

6' and 8' fixtures

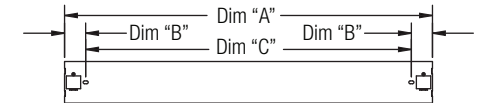


First or Intermediate Fixture

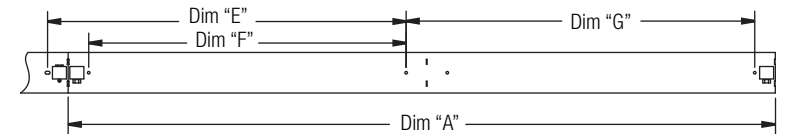
	"A"	"B"	"C"	"D"
8'	8' 0"	2-1/16"	3' 7-7/8"	4' 0"
6'	6' 0"	2-1/16"	2' 7-7/8"	3' 0"
4'	4' 0"	2-1/16"	3' 7-7/8"	n/a

"A" Overall Actual Fixture Length
 "B" First Rod Location
 "C" Second Rod Location
 "D" Third Rod Location (6' and 8' Fixture Only)

4' fixtures



6' and 8' fixtures

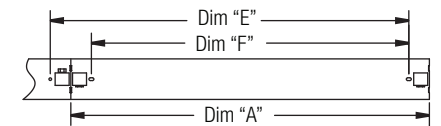


Individual of Final Fixture

	"A"	"E"	"F"	"G"
8'	7' 11"	4' 0"	3' 7-7/8"	3' 11"
6'	5' 11"	3' 0"	2' 7-7/8"	2' 11"
4'	3' 11"	3' 11"	3' 6-7/8"	n/a
3'	2' 11"	2' 11"	2' 6-7/8"	n/a
2'	1' 11"	1' 11"	1' 6-7/8"	n/a

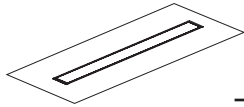
"A" First Rod Location
 "E" Second Rod Location
 "G" Third Rod Location (6' and 8' Fixture Only)

2' 3' and 4' fixtures



1. This product must be installed in accordance with applicable installation and electrical codes by a professional familiar with the construction and operation of the product.
2. Minimum 90°C supply conductors
3. All electrical connections must be performed by a certified electrician to applicable local and national electrical codes.
4. Fixtures must be mounted directly to structure.





EDGE4 T5/T5HO/T8 Non Flanged - Inaccessible Installation

Recommended for millwork, metal pan ceilings. Also applicable for sheetrock ceilings with mud trim, supplied by others.

Fixture	Nominal Fixture length (Bold) Verses Actual Length (T5)				
	2'	3'	4'	6'	8'
BOR/INT	xx	xx	48"	72"	96"
EOR/IND	23"	35"	47"	71"	95"

BOR - Beginning of run
 INT - Intermediate fixture
 EOR - End of run
 IND - individual fixture

Row Configuration Notes:

- EOR/IND fixtures are less than nominal in length
- Row configurations shown are standard.
- Non-standard row configurations may be specified for your project and will be shown on the submittal. Standard rows for project typically do not have submittal drawings
- All fixtures are modular and may be used in any location (except special circuits).
- Special circuit fixtures should be installed in the locations specified.
- In general, installation is assumed to use the largest fixture first, followed by the next largest, etc.
- Add 1/4" to overall row length for rough-in.
- Battery fixtures have test switch and indicator light removed. (conduit and J-box by others)
- All fixtures through-wired for specified circuits. Quick connects provided between fixtures.
- The first fixture in each row requires 2 or 3 mount locations. Subsequent fixtures are secured to the previous fixture and require 1 or 2 mounts (no more than every 4').
- If threaded rods are cut prior to ceiling installation - they should be cut to 3-3/4" above the finished ceiling plane.
- T8 Individual and End of run fixtures utilize housing extensions to accommodate lamp lengths.

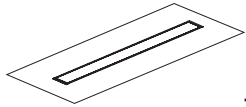
Row Configuration Chart

Nominal Row Length	Actual Row Length	Fixture Units in Row Configuration
2 ft	1' 11"	23'
3 ft	2' 11"	35'
4 ft	3' 11"	47'
5 ft	4' 10" †	35' + 23'
6 ft	5' 11"	71'
7 ft	6' 11"	48' + 35'
8 ft	7' 11"	95'
9 ft	8' 11"	72' + 35'
10 ft	9' 11"	72' + 47'
11 ft	10' 11"	96' + 35'
12 ft	11' 11"	96' + 47'
13 ft	12' 11"	72' + 48' + 35'
14 ft	13' 11"	96' + 71'
15 ft	14' 11"	96' + 48' + 35'
16 ft	15' 11"	96' + 95'
17 ft	16' 11"	96' + 72' + 35'
18 ft	17' 11"	96' + 72' + 47'
19 ft	18' 11"	96' + 96' + 35'
20 ft	19' 11"	96' + 96' + 47'
21 ft	20' 11"	96' + 72' + 48' + 35'
22 ft	21' 11"	96' + 96' + 71'
23 ft	22' 11"	96' + 96' + 48' + 35'
24 ft	23' 11"	96' + 96' + 95'
25 ft	24' 11"	96' + 96' + 72' + 35'

† 5' fixture uses extended end trim to sit on grid.



1. This product must be installed in accordance with applicable installation and electrical codes by a professional familiar with the construction and operation of the product.
2. Minimum 90°C supply conductors
3. All electrical connections must be performed by a certified electrician to applicable local and national electrical codes.
4. Fixtures must be mounted directly to structure.



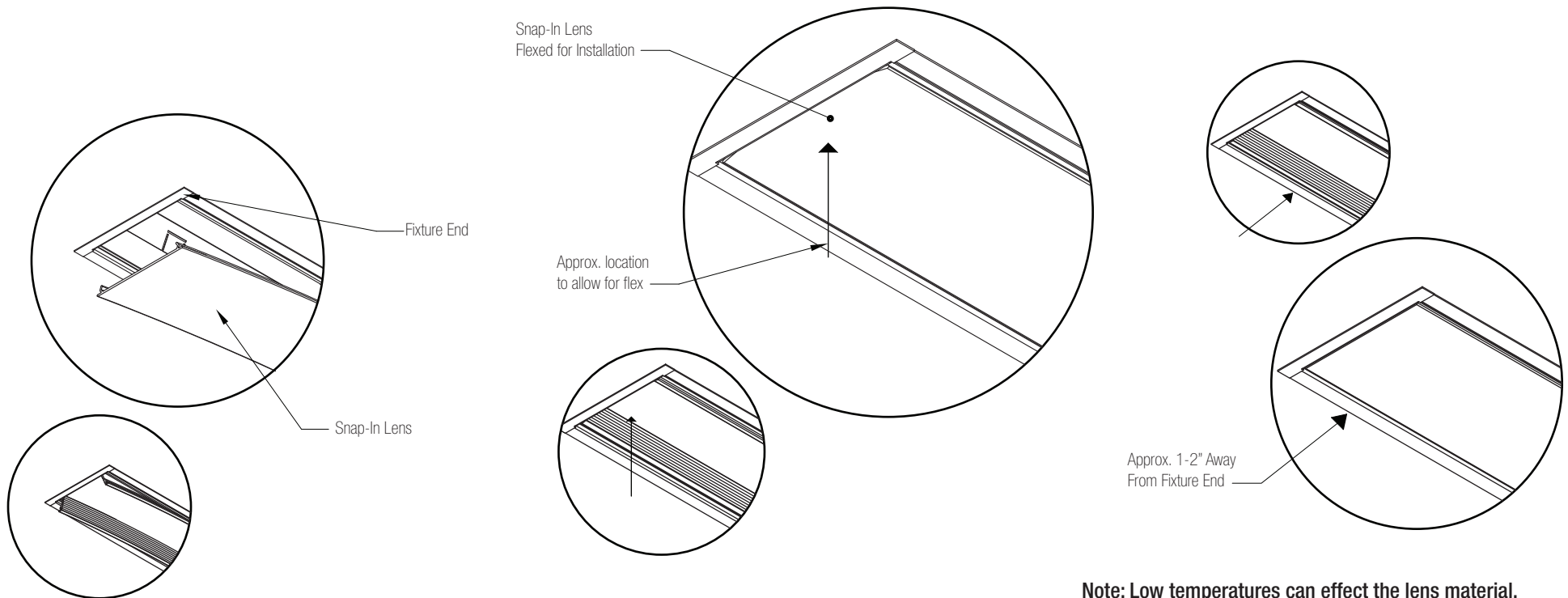
EDGE Snap In Lens Lensing detail sheet

Lens Installation

1. Begin at one end of the fixture and insert lens into appropriate position where it will snap into place.
2. Gradually insert the lens along the length of the fixture, snapping it into place as you go.
3. If at any point the lens becomes difficult to insert press slightly into the center of the lens in order to allow for it to flex, temporarily decreasing the width of the lens.

Lens Removal

1. Insert a rigid object approx. 1/16" thick, such as a quarter, into the edge between the lens and the fixture, approx. 1-2" from the end of the lens. (6" for regress lens)
2. Using said object, gently pry lens away from fixture until it is released from the mounting edge.
3. Once the section is released, start at one end of the fixture and pull the lens out of the fixture.



Note: Low temperatures can effect the lens material, making it brittle. Please allow the lenses to warm to room temperature before installation.