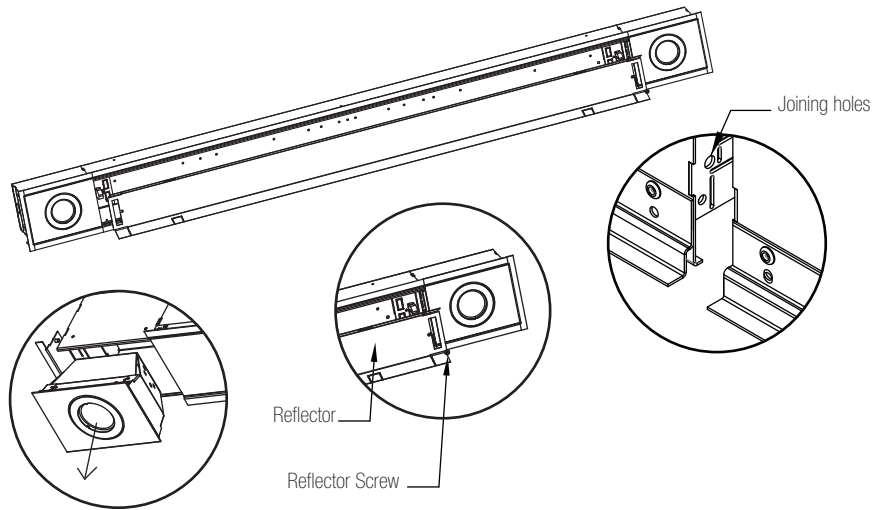


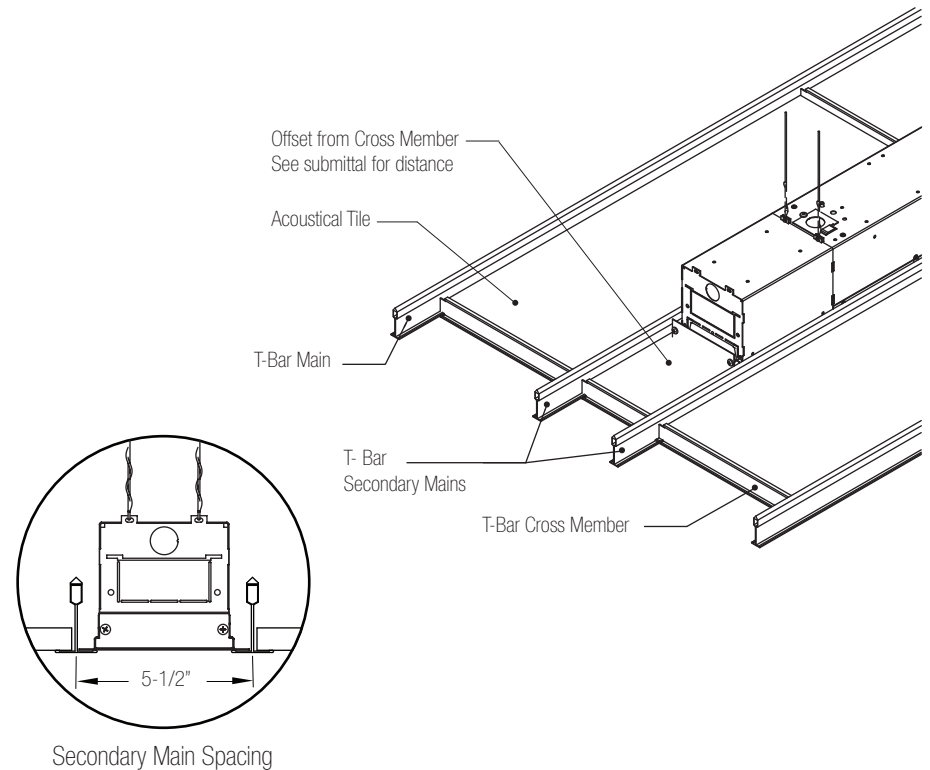
EDGE4 T5/ T5HO/ T8 MR-16 Unit Grid Installation

★ DOES NOT FALL ON GRID ★



Step 1: MR16 Mounting

1. Remove lens/ louver and reflector. (fixtures are through-wired for continuous run)
2. Remove end knock-outs between fixtures.
3. Lift and rotate MR16 module into place secure fixtures using mounting hardware.
4. Make necessary wiring connections between fixtures (MR-16 transformer is located inside main housing.)
5. Remove internal MR16 unit from fixture housing to access joining hardware location.
6. Secure fixtures together using supplied #8-32 screws and nuts.
7. Replace internal MR16 unit.

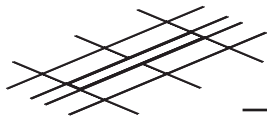


Step 2: Layout/ Dimensions

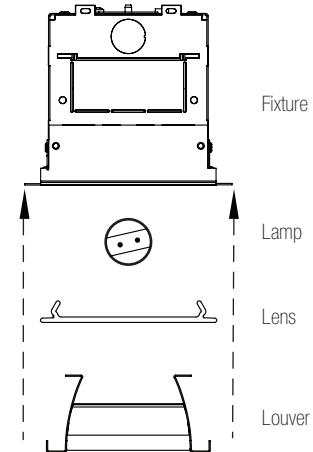
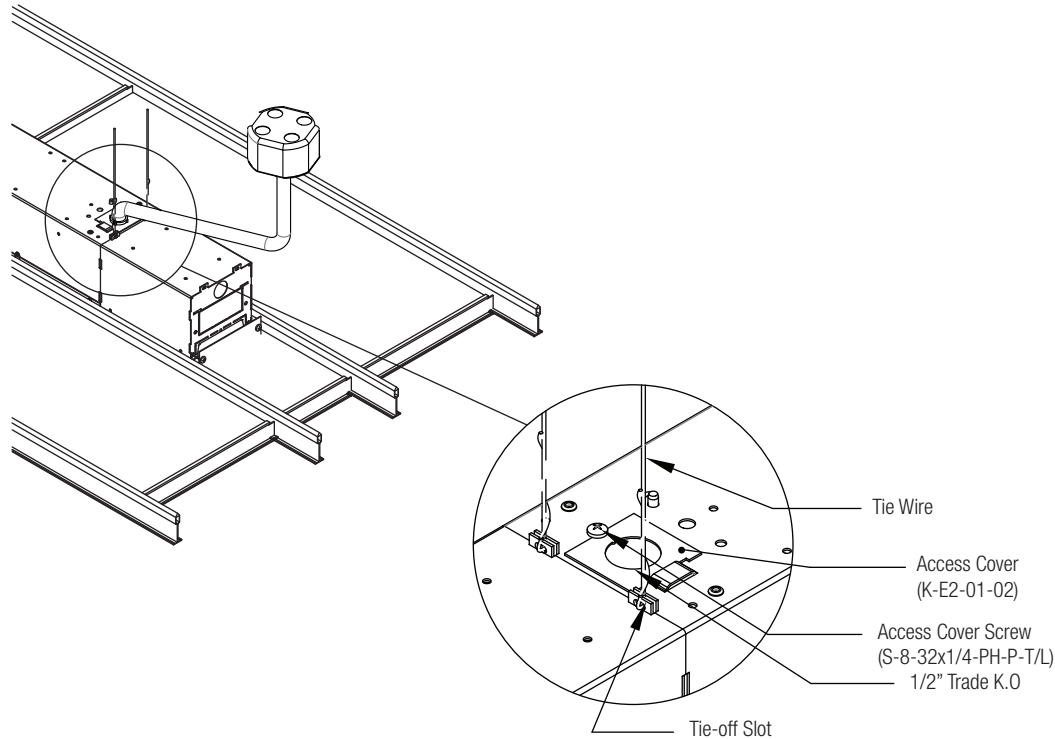
1. Layout fixture and T-bar locations, fixtures require secondary mains along the length of the row, both sides.
2. Layout and install junction boxes.
3. Lay first fixture into grid. (see submittal for initial spacing)
4. Tie off fixture to structure.



1. This product must be installed in accordance with applicable installation and electrical codes by a professional familiar with the construction and operation of the product.
2. Minimum 90°C supply conductors
3. All electrical connections must be performed by a certified electrician to applicable local and national electrical codes.
4. Fixtures must be mounted directly to structure.



EDGE4 T5/ T5HO/ T8 MR-16 Unit Grid Installation



*  Acoustical light fixture support clips may be required for seismic support *

Step 2: Making the connections

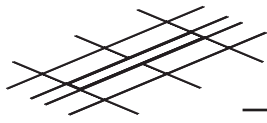
1. Remove applicable access cover.
2. Attach conduit to access cover using 1/2" trade fitting.
3. Make electrical connections inside fixture.
4. Replace access cover.

Step 4: Finishing

1. Re-install reflector.
2. Install lamps.
3. Install lens or louver.



1. This product must be installed in accordance with applicable installation and electrical codes by a professional familiar with the construction and operation of the product.
2. Minimum 90°C supply conductors
3. All electrical connections must be performed by a certified electrician to applicable local and national electrical codes.
4. Fixtures must be mounted directly to structure.



EDGE4

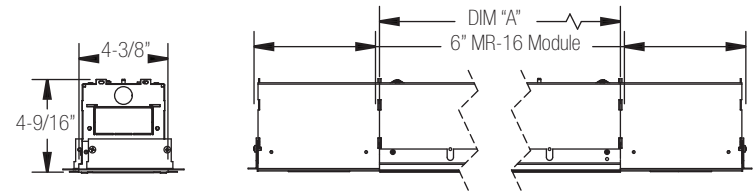
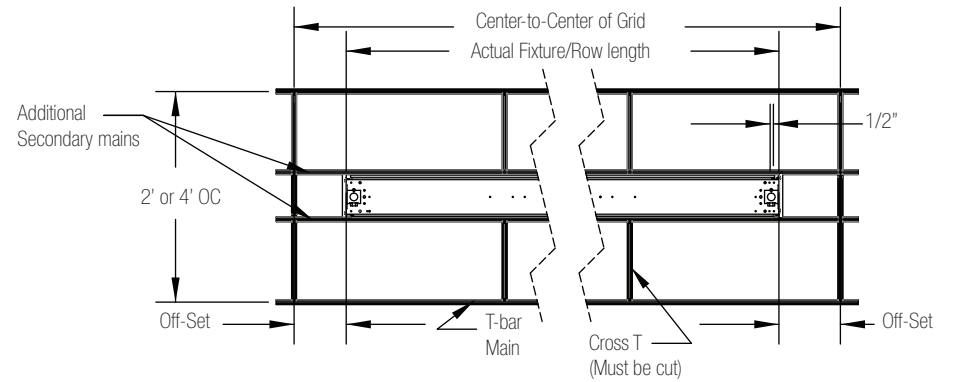
T5/ T5HO/ T8 MR-16 Unit Grid Installation

T5 Row Length Examples

Fixture Type	Nominal Length	Actual Length	DIM "A"
M2 or 2M	2' 6"	2' 5"	23"
M2M	3'	2' 11"	23"
M3 or 3M	3' 6"	3' 5"	35"
M3M	4'	3' 11"	35"
M4 or 4M	4' 6"	4' 5"	47"
M4M	5'	4' 11"	47"
M6 or 6M	6' 6"	6' 5"	71"
M6M	7'	6' 11"	71"
M8 or 8M	8' 6"	8' 5"	95"
M8M	9'	8' 11"	95"

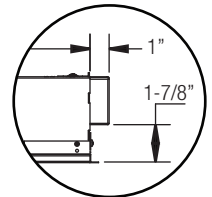
T8 Row Length Examples

Fixture Type	Nominal Length	Actual Length	DIM "A"
M2 or 2M	2' 6"	2' 5"	23"
M3 or 3M	3' 6"	3' 5"	35"
M4 or 4M	4' 6"	4' 5"	47"
M4M	5'	5'	48"
M6 or 6M	6' 6"	6' 5"	71"
M6M	7'	7'	72"
M8 or 8M	8' 6"	8' 5"	95"
M8M	9'	9'	96"



Row Configuration Notes:

- Actual row lengths vary from "Nominal"
- A factory submittal drawing is created for any MR-16 fixtures and is required for installation.
- Battery fixtures have test switch and indicator light removed (conduit and J-box by others.)
- 23", 35", 47", and 95" T8 fixtures utilize a 1" long fixture extension on one end of the housing.
- Accomodate lamp length. Do not block up to end of fixture to avoid interference w/ fixture extension.



1. This product must be installed in accordance with applicable installation and electrical codes by a professional familiar with the construction and operation of the product.
2. Minimum 90°C supply conductors
3. All electrical connections must be performed by a certified electrician to applicable local and national electrical codes.
4. Fixtures must be mounted directly to structure.