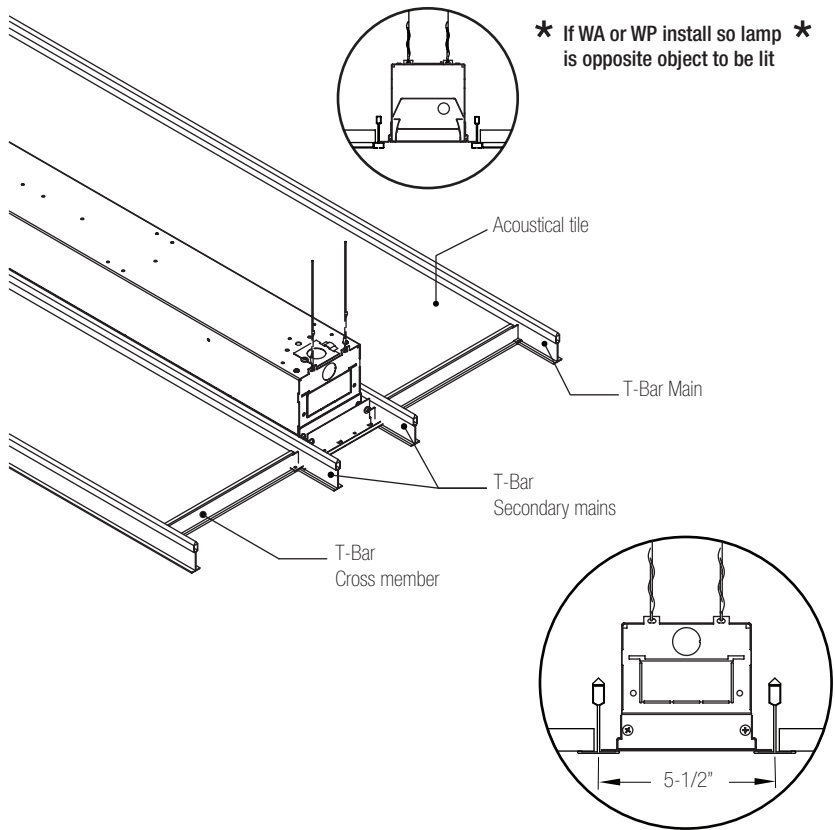
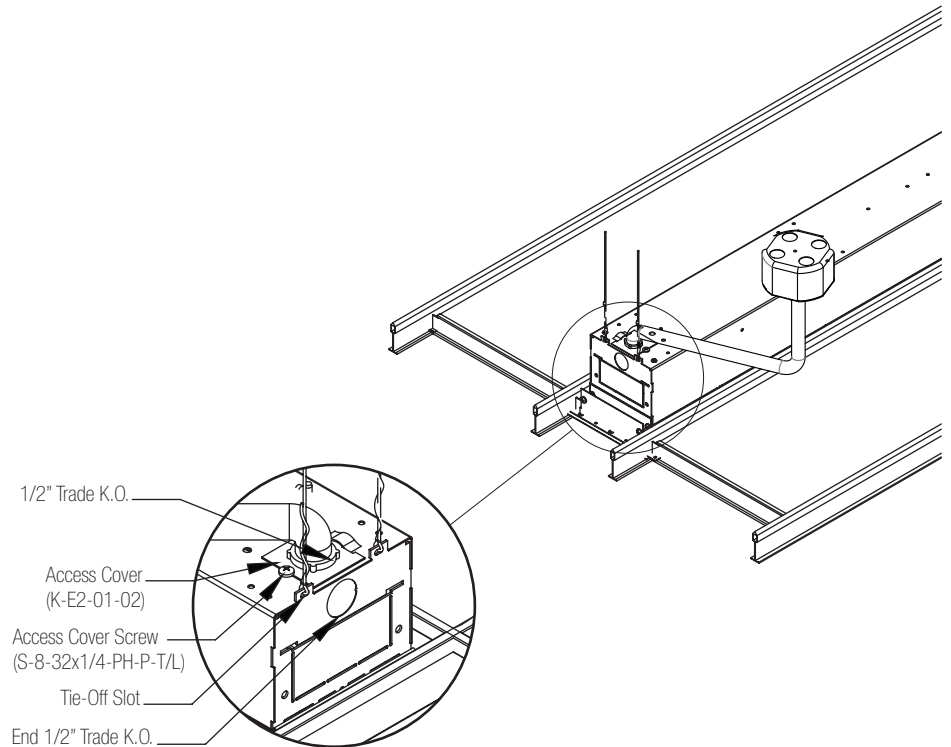


EDGE4 T5/T5HO/T8 Grid Installation



Step 1: Layout/ Dimensions

1. Layout fixture and T-bar locations, fixtures require secondary mains along the length of the row, both sides.
2. Layout and install junction boxes.
3. Lay first fixture into grid. (note fixture extension, see next page for details)
4. Tie off fixture to structure.



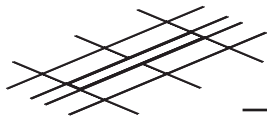
Step 2: Making the connections

1. Remove applicable access cover.
2. Attach conduit to access cover using 1/2" trade fitting.
3. Make electrical connections inside fixture.
4. Replace access cover.

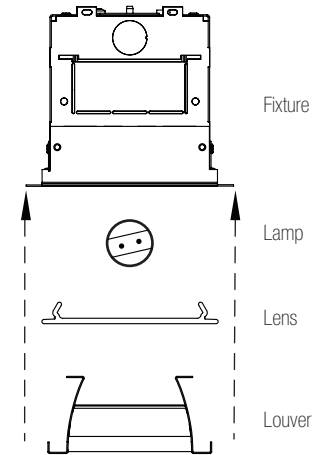
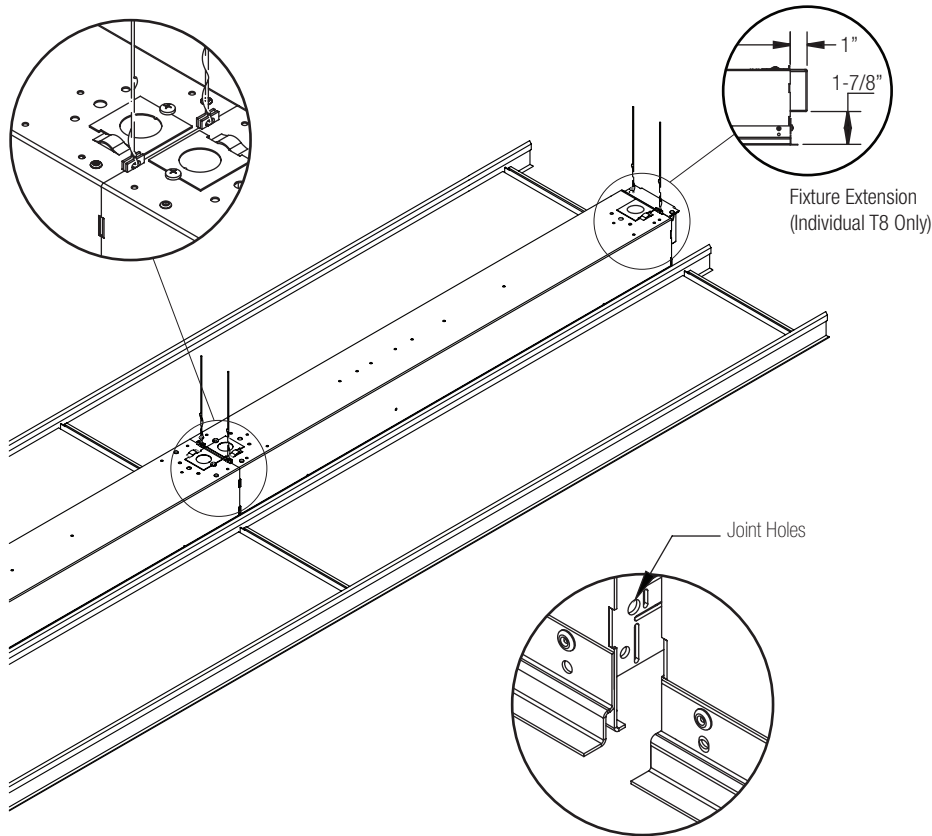
*  Acoustical light fixture support clips may be required for seismic support *



1. This product must be installed in accordance with applicable installation and electrical codes by a professional familiar with the construction and operation of the product.
2. Minimum 90°C supply conductors
3. All electrical connections must be performed by a certified electrician to applicable local and national electrical codes.
4. Fixtures must be mounted directly to structure.



EDGE4 T5/T5HO/T8 Grid Installation



Step 3: Continuous Runs

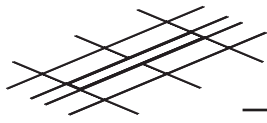
1. Remove knock-outs between fixtures.
2. Fixtures are through-wired for continuous runs.
3. Make necessary wiring connections between fixtures.
4. Slide fixtures and secure fixtures together using supplied #8-32 screws and nuts.

Step 4: Finishing

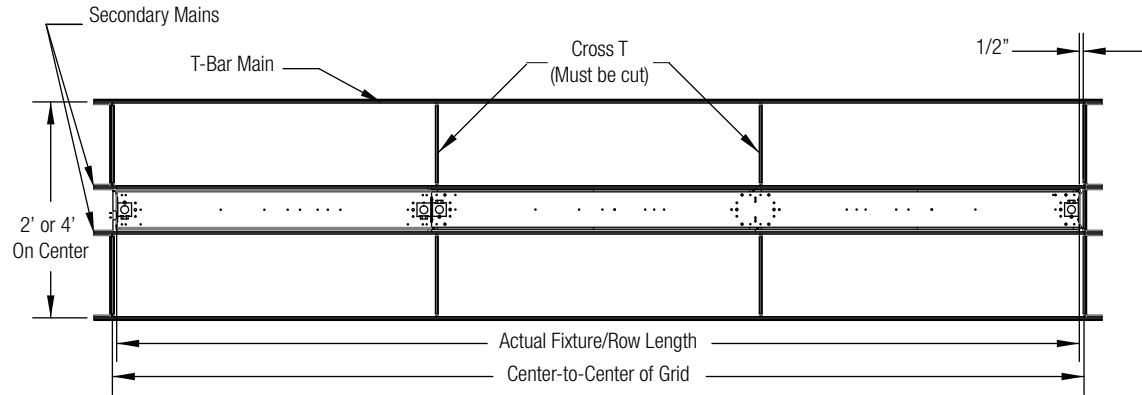
1. Install lamps.
2. Install lens or louver.



1. This product must be installed in accordance with applicable installation and electrical codes by a professional familiar with the construction and operation of the product.
2. Minimum 90°C supply conductors
3. All electrical connections must be performed by a certified electrician to applicable local and national electrical codes.
4. Fixtures must be mounted directly to structure.



EDGE4 T5/T5HO/T8 Grid Installation



* Overall fixture or row length for recessed fixtures is 1" less than the center-to-center of the grid to fall "On-Grid" and fit within the T-bar opening.

	Nominal Fixture length (Bold) Verses Actual Length (T5/T8)				
Fixture	2'	3'	4'	6'	8'
BOR/INT	xx	xx	48"	72"	96"
EOR/IND	23"	35"	47"	71"	95"

BOR - Beginning of run
 INT - Intermediate fixture
 EOR - End of run
 IND - individual fixture

Row Configuration Notes:

- Actual row lengths may vary from "Nominal".
- The over all rows do fall "On-Grid" and require additional T-Bar "mains" along the length of the row.
- Actual overall row length may be calculated using table above.
- Fixture runs require one (1) EOR/IND fixture in order to fall "On-Grid".
- Batter fixtures have test switch and indicator light remoted (conduit and J-Box by others).

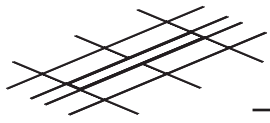
Row Configuration Chart

Nominal Row Length	Actual Row Length	Fixture Units in Row Configuration
2 ft	1' 11"	23'
3 ft	2' 11"	35'
4 ft	3' 11"	47'
5 ft	4' 10" †	36' + 23'
6 ft	5' 11"	71'
7 ft	6' 11"	48' + 35'
8 ft	7' 11"	95'
9 ft	8' 11"	72' + 35'
10 ft	9' 11"	72' + 47'
11 ft	10' 11"	96' + 35'
12 ft	11' 11"	96' + 47'
13 ft	12' 11"	72' + 48' + 35'
14 ft	13' 11"	96' + 71'
15 ft	14' 11"	96' + 48' + 35'
16 ft	15' 11"	96' + 95'
17 ft	16' 11"	96' + 72' + 35'
18 ft	17' 11"	96' + 72' + 47'
19 ft	18' 11"	96' + 96' + 35'
20 ft	19' 11"	96' + 96' + 47'
21 ft	20' 11"	96' + 72' + 48' + 35'
22 ft	21' 11"	96' + 96' + 71'
23 ft	22' 11"	96' + 96' + 48' + 35'
24 ft	23' 11"	96' + 96' + 95'
25 ft	24' 11"	96' + 96' + 72' + 35'

† 5' fixture uses extended end trim to sit on grid.



1. This product must be installed in accordance with applicable installation and electrical codes by a professional familiar with the construction and operation of the product.
2. Minimum 90°C supply conductors
3. All electrical connections must be performed by a certified electrician to applicable local and national electrical codes.
4. Fixtures must be mounted directly to structure.



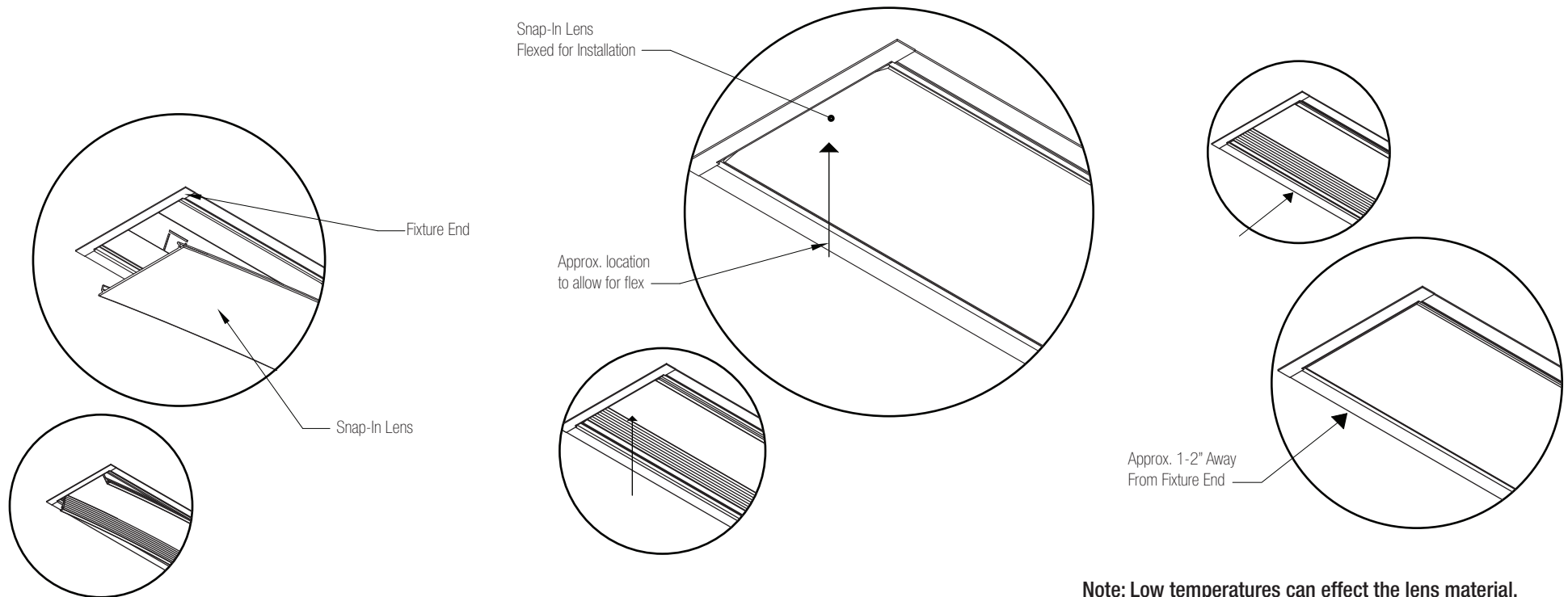
EDGE Snap In Lens Lensing detail sheet

Lens Installation

1. Begin at one end of the fixture and insert lens into appropriate position where it will snap into place.
2. Gradually insert the lens along the length of the fixture, snapping it into place as you go.
3. If at any point the lens becomes difficult to insert press slightly into the center of the lens in order to allow for it to flex, temporarily decreasing the width of the lens.

Lens Removal

1. Insert a rigid object approx. 1/16" thick, such as a quarter, into the edge between the lens and the fixture, approx. 1-2" from the end of the lens. (6" for regress lens)
2. Using said object, gently pry lens away from fixture until it is released from the mounting edge.
3. Once the section is released, start at one end of the fixture and pull the lens out of the fixture.



Note: Low temperatures can effect the lens material, making it brittle. Please allow the lenses to warm to room temperature before installation.