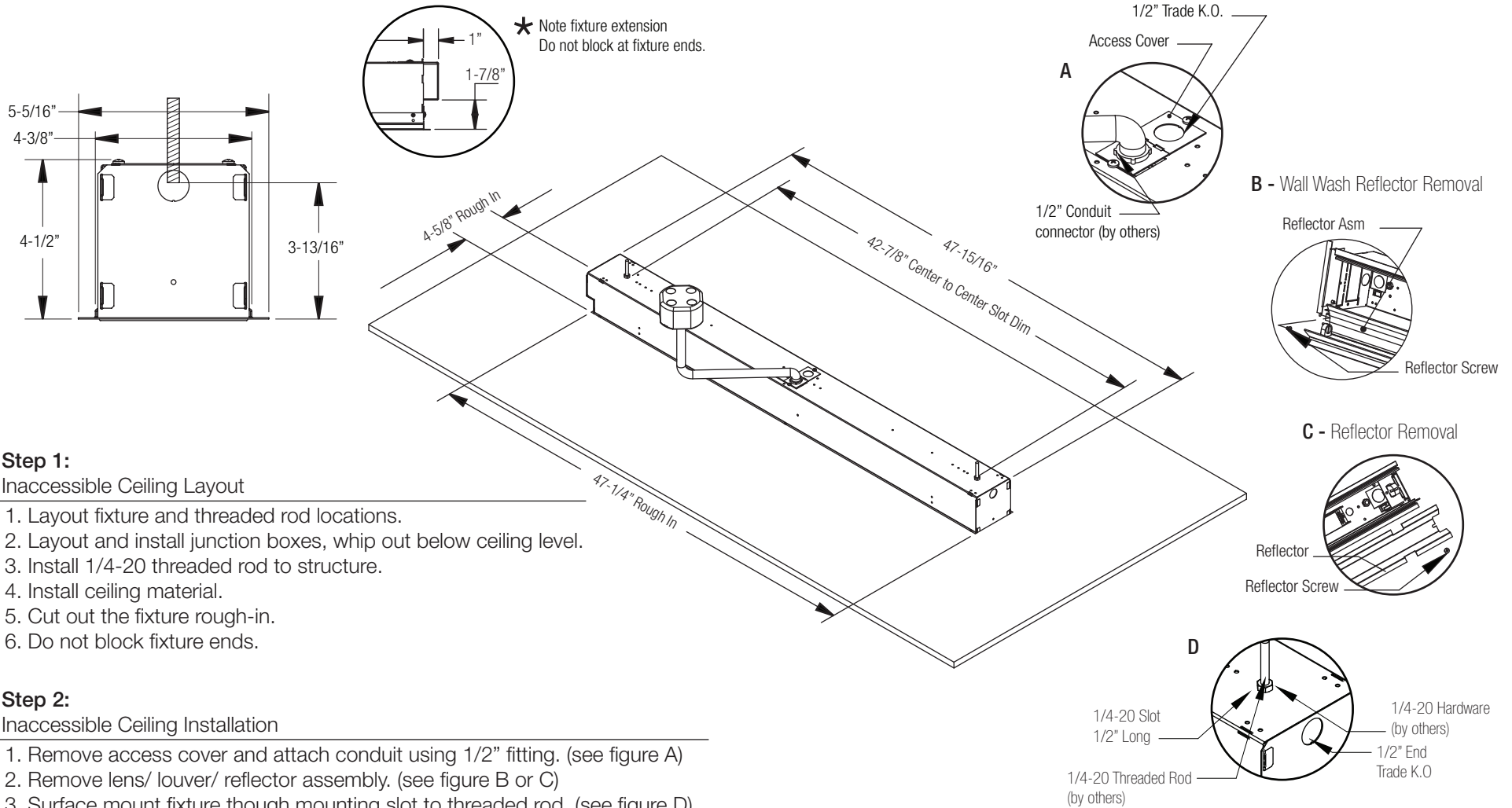


# EDGE4 T5/ T5HO/ T8 Individual 4' Inaccessible Installation



## Step 1: Inaccessible Ceiling Layout

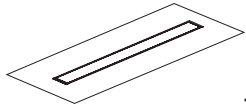
1. Layout fixture and threaded rod locations.
2. Layout and install junction boxes, whip out below ceiling level.
3. Install 1/4-20 threaded rod to structure.
4. Install ceiling material.
5. Cut out the fixture rough-in.
6. Do not block fixture ends.

## Step 2: Inaccessible Ceiling Installation

1. Remove access cover and attach conduit using 1/2" fitting. (see figure A)
2. Remove lens/ louver/ reflector assembly. (see figure B or C)
3. Surface mount fixture through mounting slot to threaded rod. (see figure D)
4. Make electrical connections and replace access cover.
5. Replace reflector/ reflector assembly, install lamps, and replace lens/ louver.



1. This product must be installed in accordance with applicable installation and electrical codes by a professional familiar with the construction and operation of the product.
2. Minimum 90°C supply conductors
3. All electrical connections must be performed by a certified electrician to applicable local and national electrical codes.
4. Fixtures must be mounted directly to structure.



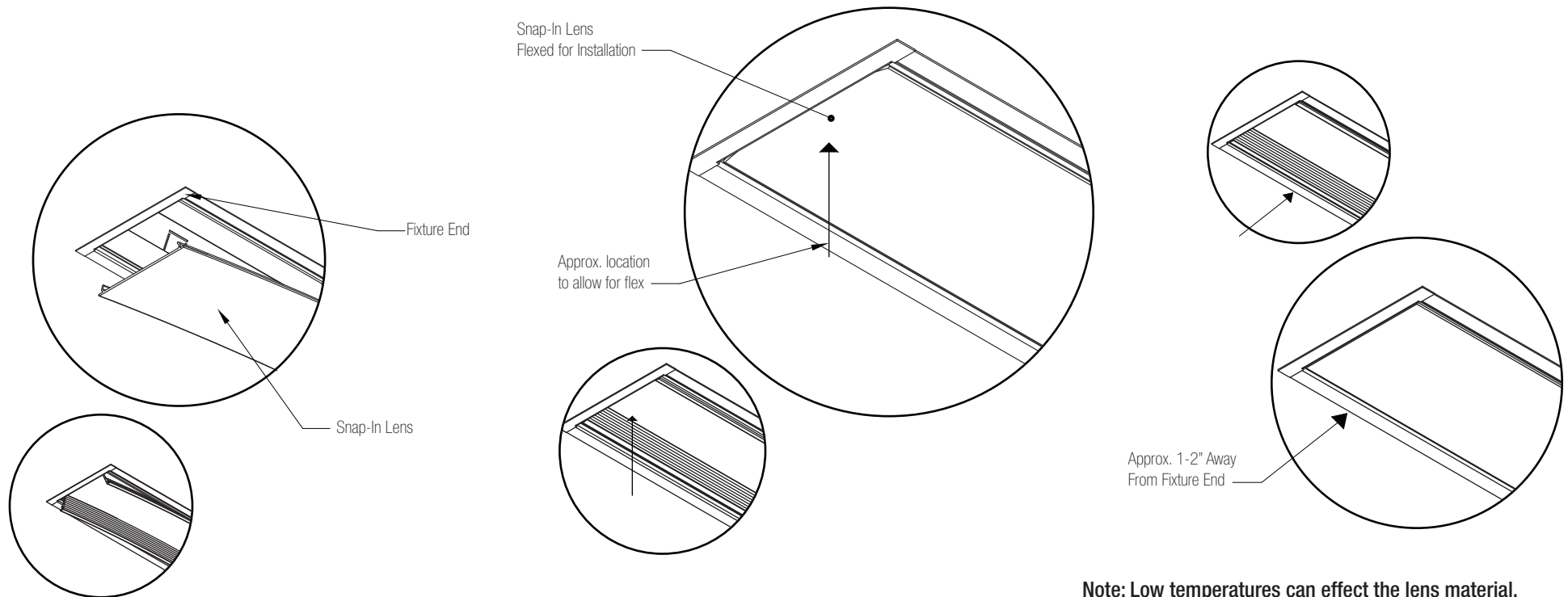
# EDGE Snap In Lens Lensing detail sheet

## Lens Installation

1. Begin at one end of the fixture and insert lens into appropriate position where it will snap into place.
2. Gradually insert the lens along the length of the fixture, snapping it into place as you go.
3. If at any point the lens becomes difficult to insert press slightly into the center of the lens in order to allow for it to flex, temporarily decreasing the width of the lens.

## Lens Removal

1. Insert a rigid object approx. 1/16" thick, such as a quarter, into the edge between the lens and the fixture, approx. 1-2" from the end of the lens. (6" for regress lens)
2. Using said object, gently pry lens away from fixture until it is released from the mounting edge.
3. Once the section is released, start at one end of the fixture and pull the lens out of the fixture.



**Note: Low temperatures can effect the lens material, making it brittle. Please allow the lenses to warm to room temperature before installation.**