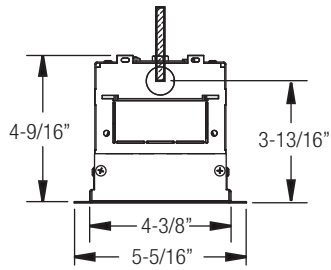
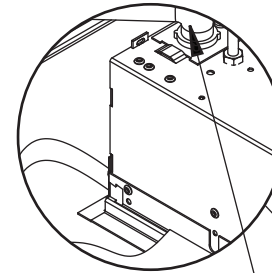
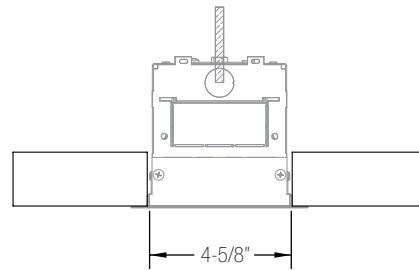


# EDGE4 T5/T5HO/T8 Flanged - Inaccessible Installation

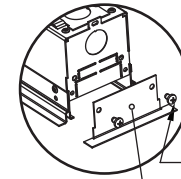
★ Do not screw into side of housing. ★



Front View

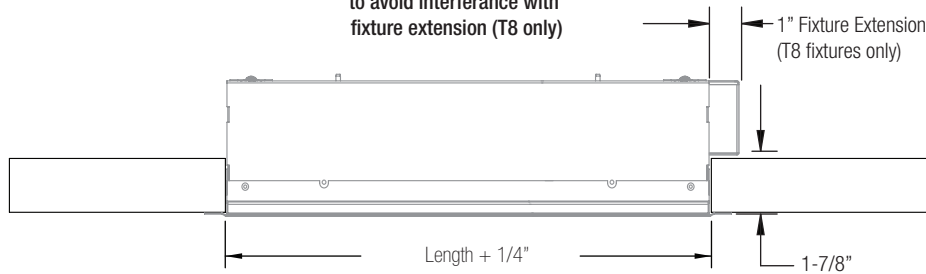


1/2" Trade Conduit Connector (by others)

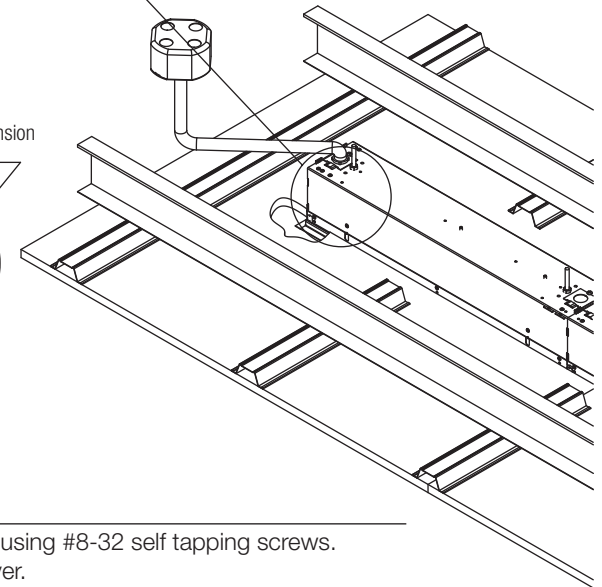
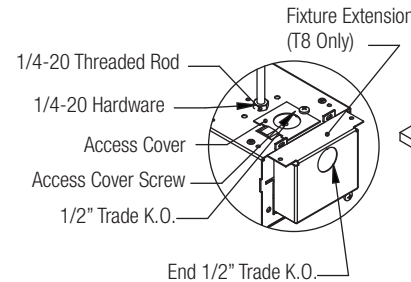


#8-32 self tapping screws  
End trim (End Trims come installed on individual units)

★ Do not block at end of fixture/ run ★  
to avoid interference with fixture extension (T8 only)



Opening can not be smaller than 4-1/2". An "End Trim" may be used as a gauge for ensuring minimum width.  
Always install lenses during installation and louvers AFTER ALL finishing work has been completed.



## Step 1: Layout/ Dimensions

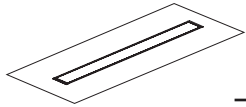
1. Layout fixture and threaded rod locations
2. Layout and install junction boxes and whip out below ceiling level.
3. Install 1/4-20 threaded rod to structure.
4. Install ceiling material.
5. Cut out the fixture rough-in.

## Step 2: Making the Connections

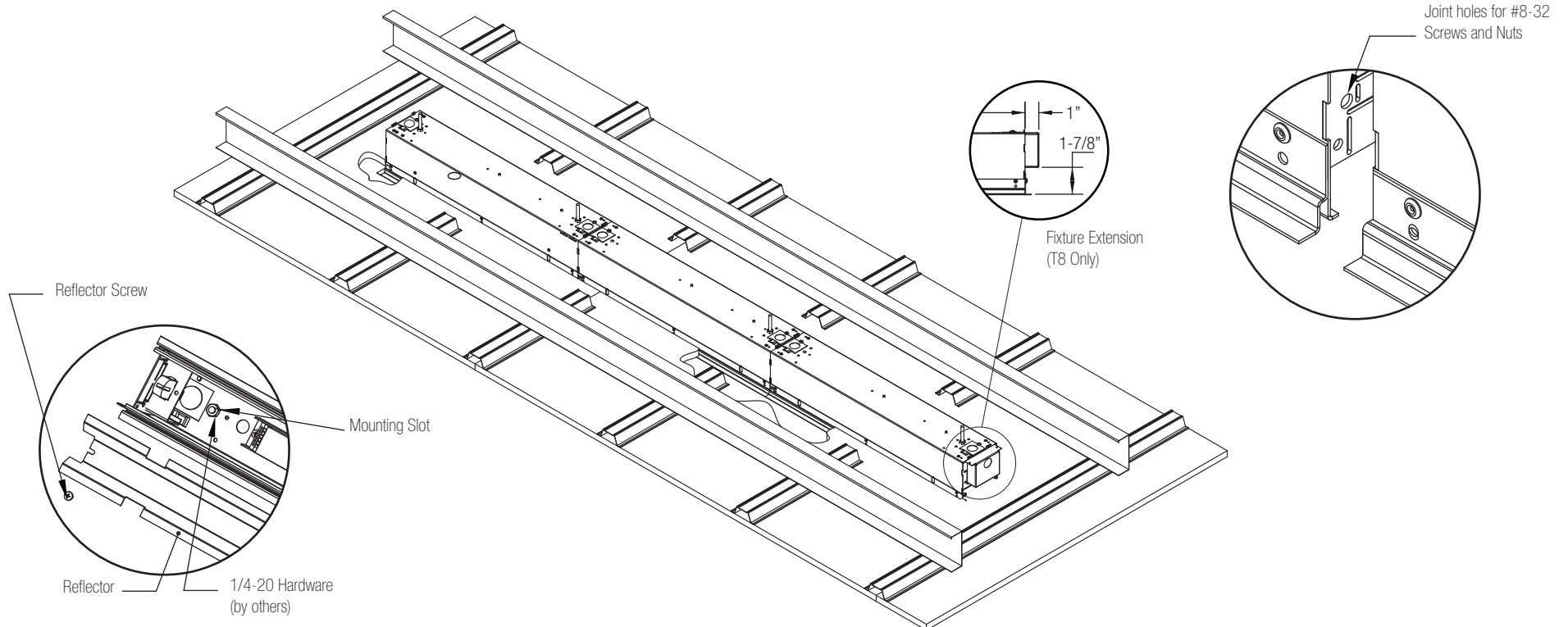
1. Attach end trim to end fixtures using #8-32 self tapping screws.
2. Remove applicable access cover.
3. Attach conduit to access cover using 1/2" trade fittings.
4. Make electrical connections inside fixture.
5. Replace access cover.

1. This product must be installed in accordance with applicable installation and electrical codes by a professional familiar with the construction and operation of the product.
2. Minimum 90°C supply conductors
3. All electrical connections must be performed by a certified electrician to applicable local and national electrical codes.
4. Fixtures must be mounted directly to structure.





# EDGE4 T5/T5HO/T8 Flanged - Inaccessible Installation



### Step 3: Individual or First Fixture

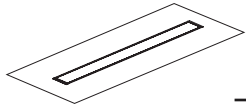
1. Remove lens or louver and reflector.
2. Surface mount fixture through mounting slot to threaded rod.
3. If first fixture remove end knock outs for through wiring.

### Step 4: Continuous Rows

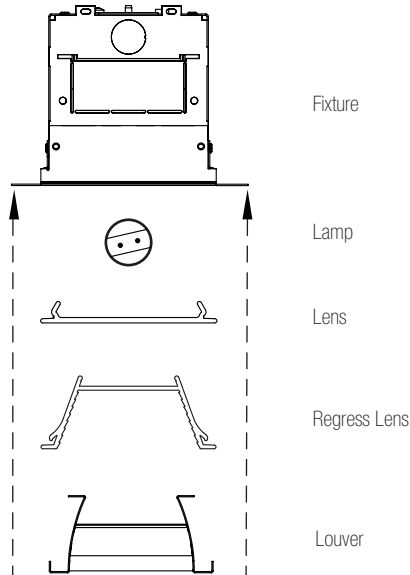
1. Remove lens or louver and reflector.
2. Fixtures are through-wired for continuous runs.
3. Remove end knock-outs between fixtures.
4. Lift and rotate fixture into place.
5. Surface mount fixture through mounting slot to threaded rod.
6. Make necessary wiring connections between fixtures.
7. Secure fixtures together using supplied #8-32 Screws and nuts.

1. This product must be installed in accordance with applicable installation and electrical codes by a professional familiar with the construction and operation of the product.
2. Minimum 90°C supply conductors
3. All electrical connections must be performed by a certified electrician to applicable local and national electrical codes.
4. Fixtures must be mounted directly to structure.



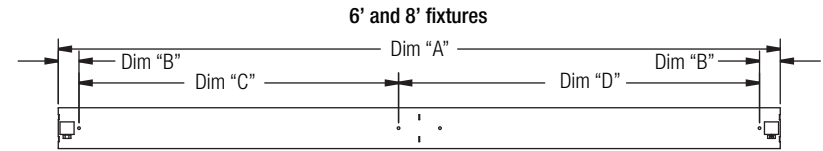


# EDGE4 T5/T5HO/T8 Flanged - Inaccessible Installation



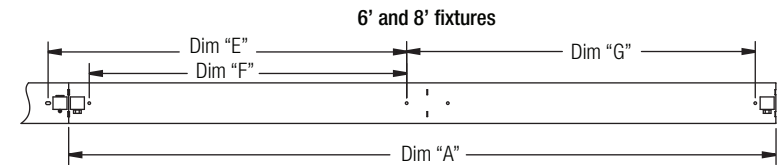
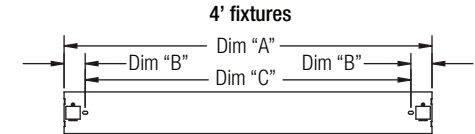
## Step 5: Finishing

1. Re-install reflector.
2. Install lamps.
3. Install lens or louver.



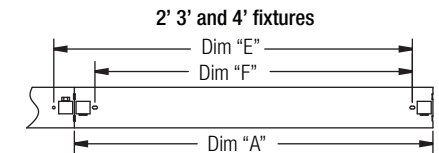
### First or Intermediate Fixture

	"A"	"B"	"C"	"D"
8'	8' 0"	2-1/16"	3' 7-7/8"	4' 0"
6'	6' 0"	2-1/16"	2' 7-7/8"	3' 0"
4'	4' 0"	2-1/16"	3' 7-7/8"	n/a
"A"	Overall Actual Fixture Length			
"B"	First Rod Location			
"C"	Second Rod Location			
"D"	Third Rod Location (6' and 8' Fixture Only)			



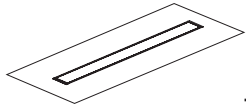
### Individual of Final Fixture

	"A"	"E"	"F"	"G"
8'	7' 11"	4' 0"	3' 7-7/8"	3' 11"
6'	5' 11"	3' 0"	2' 7-7/8"	2' 11"
4'	3' 11"	3' 11"	3' 6-7/8"	n/a
3'	2' 11"	2' 11"	2' 6-7/8"	n/a
2'	1' 11"	1' 11"	1' 6-7/8"	n/a
"A"	First Rod Location			
"E"	Second Rod Location			
"G"	Third Rod Location (6' and 8' Fixture Only)			



1. This product must be installed in accordance with applicable installation and electrical codes by a professional familiar with the construction and operation of the product.
2. Minimum 90°C supply conductors
3. All electrical connections must be performed by a certified electrician to applicable local and national electrical codes.
4. Fixtures must be mounted directly to structure.





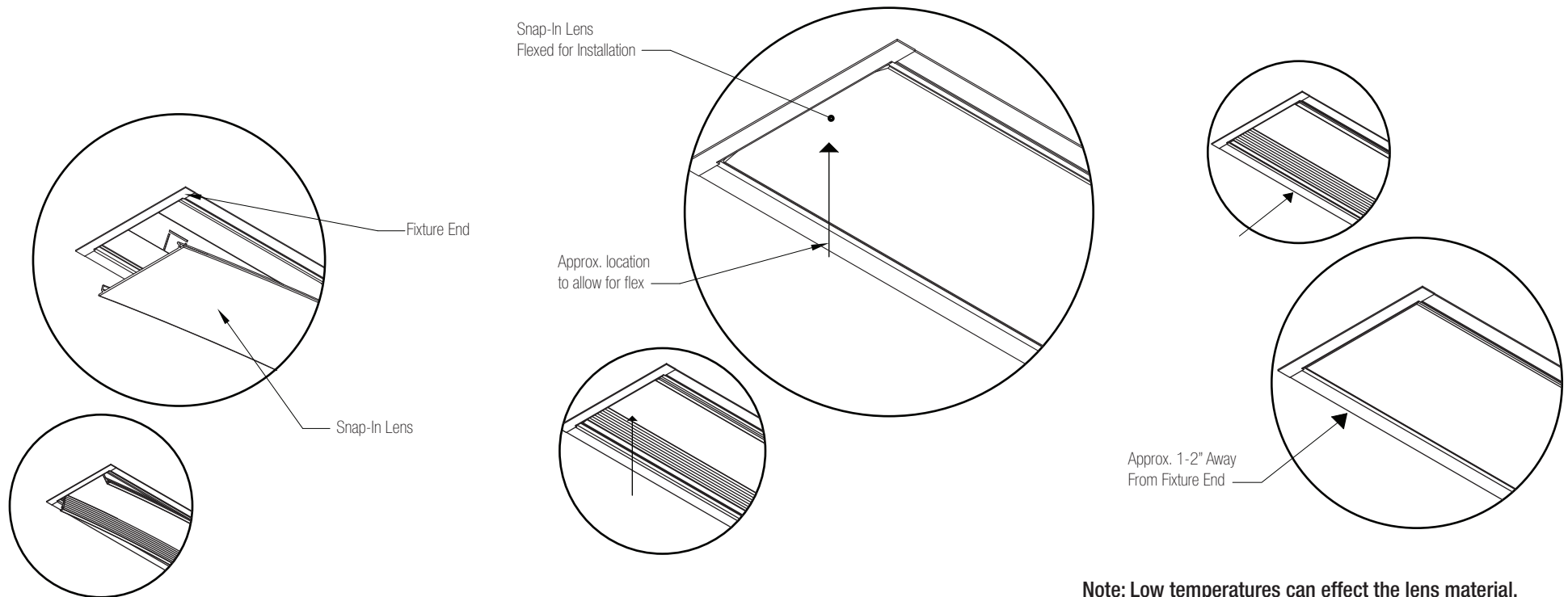
# EDGE Snap In Lens Lensing detail sheet

## Lens Installation

1. Begin at one end of the fixture and insert lens into appropriate position where it will snap into place.
2. Gradually insert the lens along the length of the fixture, snapping it into place as you go.
3. If at any point the lens becomes difficult to insert press slightly into the center of the lens in order to allow for it to flex, temporarily decreasing the width of the lens.

## Lens Removal

1. Insert a rigid object approx. 1/16" thick, such as a quarter, into the edge between the lens and the fixture, approx. 1-2" from the end of the lens. (6" for regress lens)
2. Using said object, gently pry lens away from fixture until it is released from the mounting edge.
3. Once the section is released, start at one end of the fixture and pull the lens out of the fixture.



**Note: Low temperatures can effect the lens material, making it brittle. Please allow the lenses to warm to room temperature before installation.**