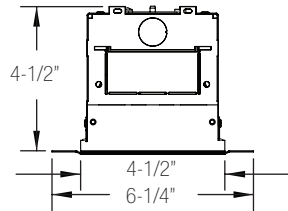
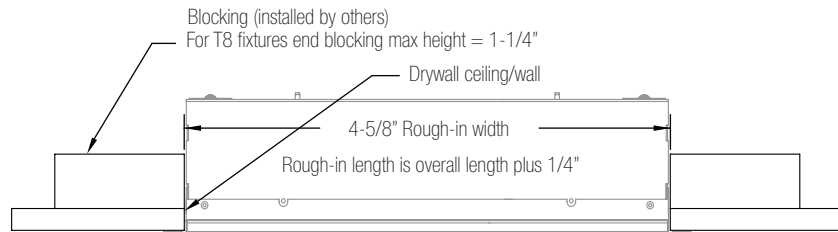


# EDGE4 T8 Staggered Spackle Flange Mounting

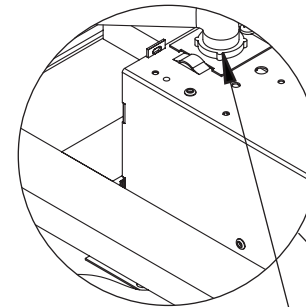


Front View

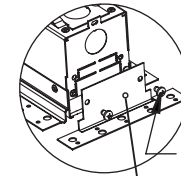
**\* DO NOT SCREW INTO SIDE OF HOUSING \*  
DO NOT REMOVE CROSS BRACKETS  
UNTIL FIXTURE IS INSTALLED**



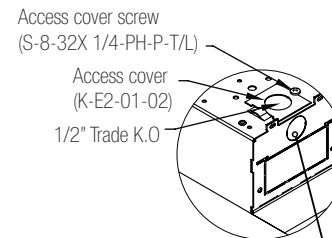
Opening can not be smaller than 4-1/2". An "End Trim" may be used as a gauge for ensuring minimum width. Always install lenses during installation and louvers AFTER ALL finishing work has been completed.



1/2" Trade Conduit Connector (by others)

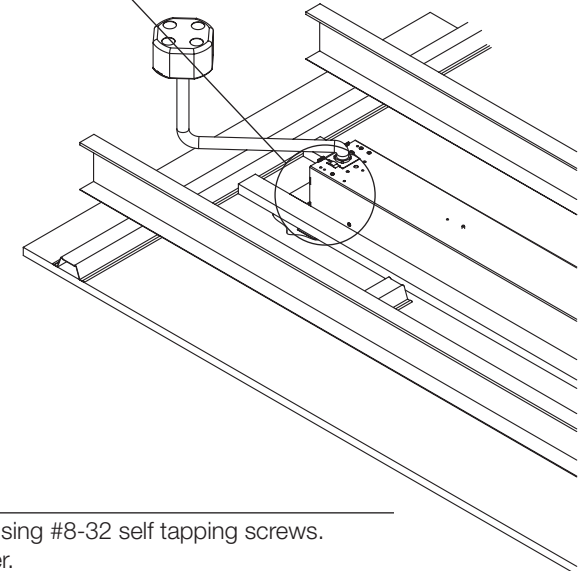


#8-32 self tapping screws  
End trim  
(End Trims come installed on individual units)



Access cover screw (S-8-32X 1/4 PH-P-T/L)  
Access cover (K-E2-01-02)  
1/2" Trade K.O.

End 1/2" Trade K.O.



## Step 1:

### Layout/ Dimensions

1. Layout fixtures and blocking locations.
2. Layout and install junction boxes and whip out below ceiling level.
3. Install blocking to structure using rough in dimensions.
4. Install ceiling material.
5. Cut out the fixture/row rough-in.

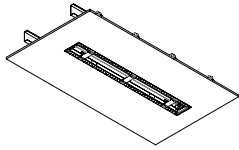
## Step 2:

### Making the Connections

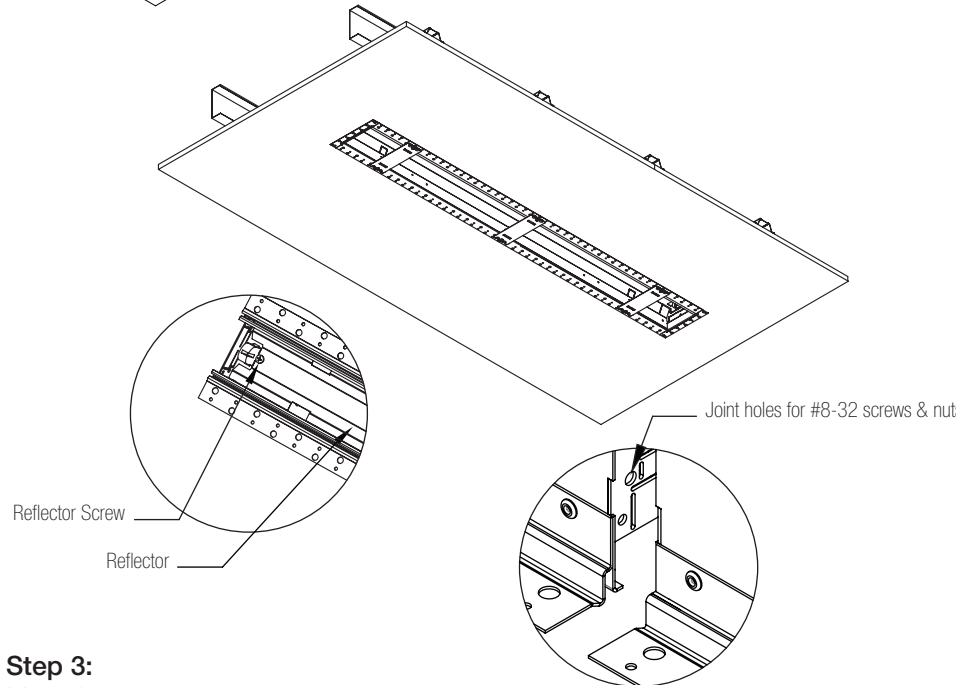
1. Attach end trim to end fixtures using #8-32 self tapping screws.
2. Remove applicable access cover.
3. Attach conduit to access cover using 1/2" trade fittings.
4. Make electrical connections inside fixture.
5. Replace access cover.



1. This product must be installed in accordance with applicable installation and electrical codes by a professional familiar with the construction and operation of the product.
2. Minimum 90°C supply conductors
3. All electrical connections must be performed by a certified electrician to applicable local and national electrical codes.
4. Fixtures must be mounted directly to structure.



# EDGE<sub>4</sub> T8 Staggered Spackle Flange Mounting

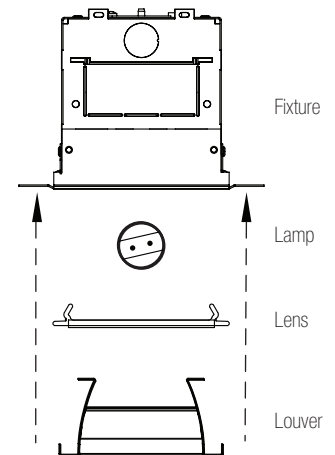
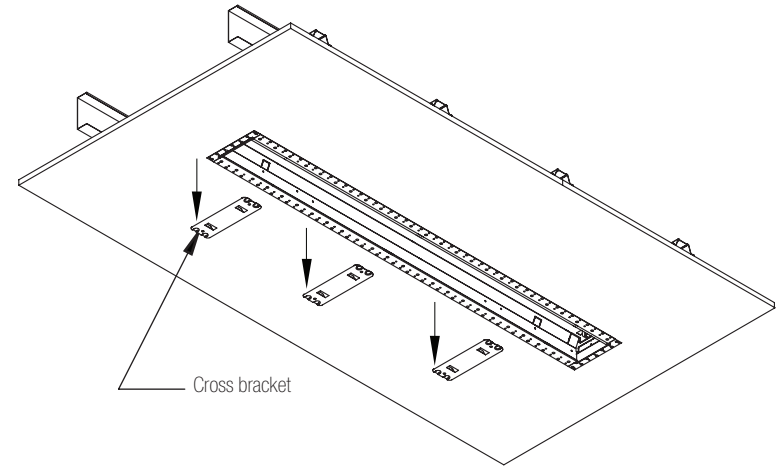


### Step 3: Mounting

1. Position fixture in roughed and blocked in opening.
2. Mount the fixture in place using at least 1 screw approximately every 6" along the length of the fixture and two on each end flange.
3. Once mounted remove cross brackets and discard.
4. Remove reflector to wire to building power.

### For Continuous Runs

1. Remove end knock-outs between fixtures.
2. Lift and rotate fixtures into place and secure fixture using mounting hardware.
3. Mount fixture by screwing through the holes in the flange to the wood blocking. Using at least one screw approximately every 6" along all sides.
4. Remove cross brackets and dispose.
5. Remove reflector and make necessary wiring connections between fixtures.
6. Secure fixtures together using supplied #8-32 screws and nuts.

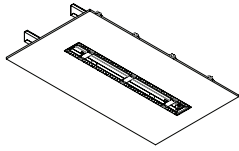


### Step 4: Finishing

1. Replace reflector
2. Install lamp(s)
3. Install lens or louver.

1. This product must be installed in accordance with applicable installation and electrical codes by a professional familiar with the construction and operation of the product.
2. Minimum 90°C supply conductors
3. All electrical connections must be performed by a certified electrician to applicable local and national electrical codes.
4. Fixtures must be mounted directly to structure.





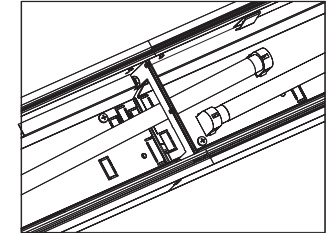
# EDGE4 T8 Staggered Spackle Flange Mounting

## 1 Lamp Staggered

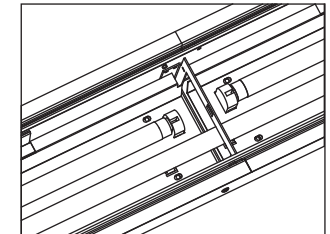
Nominal Row Length	Actual Row Length	Fixture Units in Row Configuration	Lamp Layout		
			2'	3'	4'
6 ft	5'11"	71U	2	1	
7 ft	6'11"	48S+35F1	1	2	
8 ft	7'11"	95U		3	
9 ft	8'11"	72S1+35F1		2	1
10 ft	9'11"	96S1+23F	1	3	
11 ft	10'11"	96S1+35F		4	
12 ft	11'11"	96S1+47F		3	1
13 ft	12'11"	72S+48M1+35F1	1	3	1
14 ft	13'11"	96S+71F	2	4	
15 ft	14'11"	96S+48M+35F1	1	5	
16 ft	15'11"	96S+95F		6	
17 ft	16'11"	96S+72M1+35F1		5	1
18 ft	17'11"	96S+96M1+23F	1	6	
19 ft	18'11"	96S+96M1+35F		7	
20 ft	19'11"	96S+96M1+47F		6	1
21 ft	20'11"	96S+72M+48M1+35F1	1	6	1
22 ft	21'11"	96S+96M+71F	2	7	
23 ft	22'11"	96S+96M+48M+35F1	1	8	
24 ft	23'11"	96S+96M+95F		9	

## 2 Lamp Staggered

Nominal Row Length	Actual Row Length	Fixture Units in Row Configuration	Lamp Layout		
			2'	3'	4'
6 ft	5'11"	71U	1	2	1
7 ft	6'11"	48S+35F	2	2	1
8 ft	7'11"	95U		2	3
9 ft	8'11"	72S1+35F	1	4	1
10 ft	9'11"	72S+47F	1	2	3
11 ft	10'11"	96S1+35F	2	2	3
12 ft	11'11"	96S+47F	2		5
13 ft	12'11"	72S+48M+35F	1	4	3
14 ft	13'11"	96S+71F	1	2	5
15 ft	14'11"	96S+48M+35F	2	2	5
16 ft	15'11"	96S+95F	2		7
17 ft	16'11"	96S1+72M2+35F	2	6	3
18 ft	17'11"	96S1+72M1+47F	2	4	5
19 ft	18'11"	96S+96M1+35F	2	2	7
20 ft	19'11"	96S+96M+47F	2		9
21 ft	20'11"	96S+72M+48M+35F	3	4	6
22 ft	21'11"	96S+96M+71F	1	2	9
23 ft	22'11"	96S+96M+48M+35F	2	2	9
24 ft	23'11"	96S+96M+95F	2		11



Example of 1 lamp staggered



Example of 2 lamp staggered

## Fixture Units Breakdown

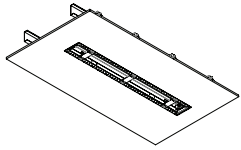
Fixture Type	Fixture Length	Lamp Layout	Fixture Type	Fixture Length	Lamp Layout	Fixture Type	Fixture Length	Lamp Layout	Fixture Type	Fixture Length	Lamp Layout
71U	71"	2' 3' 2'	48S	48"	3' 2'	48M	48"	3' 2'	23F	23"	2'
95U	95"	3' 3' 3'	72S	72"	3' 4'	48M1	48"	3' 2'	35F	35"	3'
			72S1	72"	3' 4'	72M	72"	3' 4'	35F1	35"	3'
			96S	96"	3' 3' 3'	72M1	72"	3' 4'	47F	47"	4'
			96S1	96"	3' 3' 3'	96M	96"	3' 3' 3'	71F	71"	2' 3' 2'
						96M1	96"	3' 3' 3'	95F	95"	3' 3' 3'

### Row Configuration Notes:

- Actual row lengths vary from "Nominal"
- All rows (except 6U & 8U) utilize lamps configurations which "jump" from fixture to fixture to eliminate socket shadows
- "S" fixtures have 1 lamp exiting the fixture
- "M" fixtures have 1 lamp entering and 1 lamp exiting the fixture
- "F" fixture have 1 lamp entering the fixture
- The Lamp Layout, right, shows only the lamps primarily within the fixture and ballasted by that fixture.
- Row configurations, can not be re-configured
- Example: a 23' row comprised of 8S+8M+4M+3F can not be re-configured or installed as 8S+4M+8M+3F
- Contact factory for Emergency, Nightlight, & Daylight circuiting
- Contact factory for available locations for Emergency Battery Packs (remote test switch kit required).
- Battery fixtures have test switch and indicator light remoted (conduit and J-Box by others)
- Fixtures are manufactured so that fixture label (located on reflector) is located nearest row beginning. Subsequent fixtures install with label side next to previous fixture.



1. This product must be installed in accordance with applicable installation and electrical codes by a professional familiar with the construction and operation of the product.
2. Minimum 90°C supply conductors
3. All electrical connections must be performed by a certified electrician to applicable local and national electrical codes.
4. Fixtures must be mounted directly to structure.



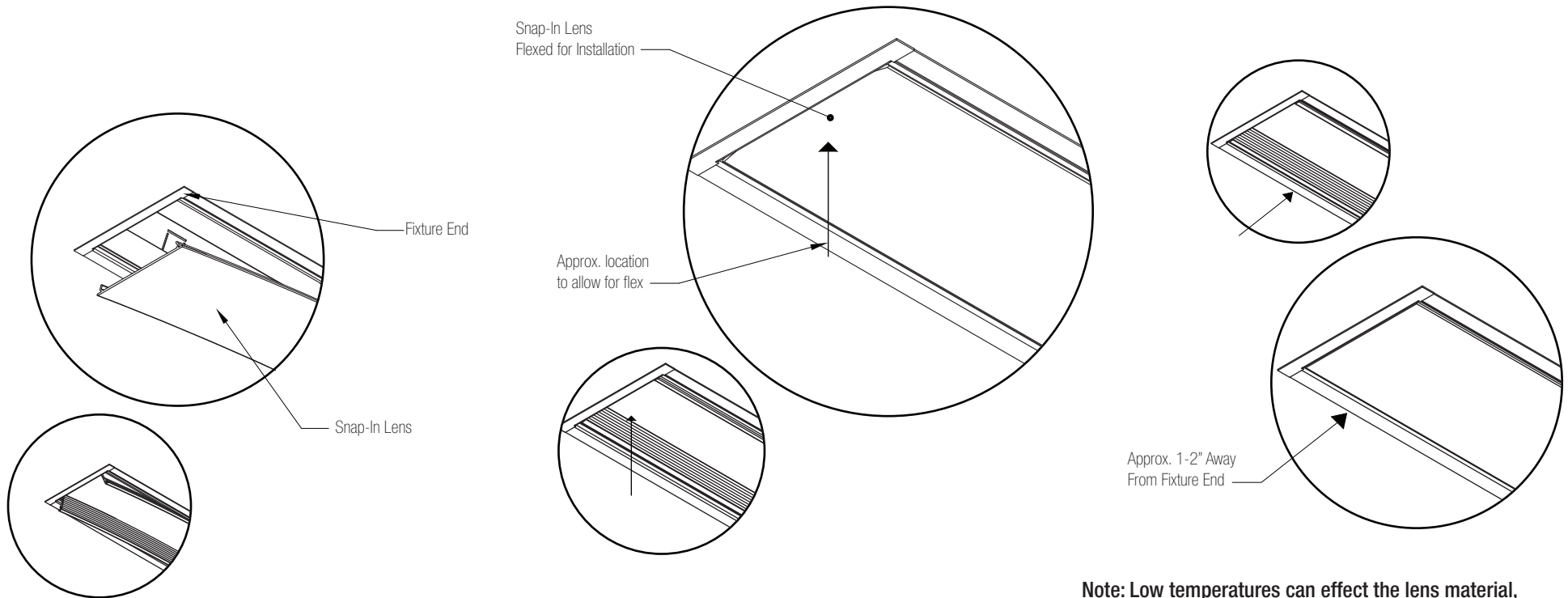
# EDGE Snap In Lens Lensing detail sheet

## Lens Installation

1. Begin at one end of the fixture and insert lens into appropriate position where it will snap into place.
2. Gradually insert the lens along the length of the fixture, snapping it into place as you go.
3. If at any point the lens becomes difficult to insert press slightly into the center of the lens in order to allow for it to flex, temporarily decreasing the width of the lens.

## Lens Removal

1. Insert a rigid object approx. 1/16" thick, such as a quarter, into the edge between the lens and the fixture, approx. 1-2" from the end of the lens. (6" for regress lens)
2. Using said object, gently pry lens away from fixture until it is released from the mounting edge.
3. Once the section is released, start at one end of the fixture and pull the lens out of the fixture.



**Note: Low temperatures can effect the lens material, making it brittle. Please allow the lenses to warm to room temperature before installation.**

