

1T8 and 2T8 RECESSED LINEAR DIRECT / Acrylic Lens

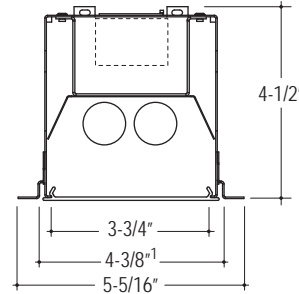
CONSTRUCTION Formed cold rolled steel housing. Highly reflective die-formed white painted steel reflector, .125" diffuse snap-in acrylic lens with matte finish, removable for lamp replacement.

ELECTRICAL Standard instant start UL listed Class P, T8 electronic, Sound Rated A, thermally protected, high power factor ballasts less than 20% THD Universal voltage (120/277). Through wiring with quick connects standard. Standard single circuit. Integral battery packs with remote test switch are provided with 1B and 2B option. Each ballast provided with disconnects to meet luminaire disconnect code requirement.

MOUNTING Edge is designed to install into acoustical grid and inaccessible ceilings. Specify GXG, FLF, SFS, NFN for Individual, unjoinable units (individual units will fall on-grid). Specify GX, FL, SF, NF for continuous rows (Rows fall on-grid). Consult factory for detailed installation instructions.

FINISH Standard powder-coat textured white painted finish on exposed trim, consult factory for custom colors.

LABELS UL and cUL Listed, approved for dry/damp location unless otherwise noted.



¹See installation instructions for rough-in width dimensions. Specification Sheets should not be used for installation.

LUMINAIRE SPECIFICATION

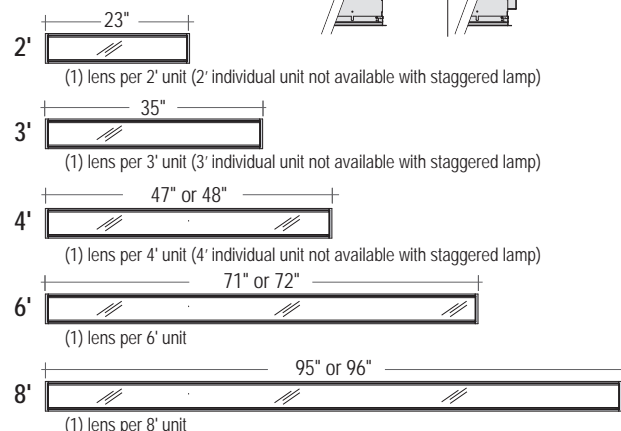
Sample Catalog #: E4A-1T8-24'-FL-120-1C-W

HOUSING	LAMPS	LENGTH	MOUNTING ¹	VOLTAGE	CIRCUITING	FINISH	OPTIONS
E4A- Edge 4 Acrylic Lens, Straight Lamp E4SA- Edge 4 Acrylic Lens, Staggered Lamps	1T8- (1) T8 2T8- (2) T8	Individual Units² 2- 2' (Not available with staggered) 3- 3' (Not available with staggered) 4- 4' (Not available with staggered) 6- 6' 8- 8' Continuous Runs³ xx'- Specify nominal overall row length in 1' increments		120- 120 V 277- 277 V 347- 347 V ⁵ UNV-UNV ⁵ (120/277)		W- Matte White CC- Custom Color	OS- Quick Ship ⁷ PM- Perimeter Mount ⁸ RC- Rotating Crossbar ⁹ M__- MR16 Lamp ¹⁰ CP- Chicago Plenum CL- Illuminated Connector ¹¹
INDIVIDUAL UNITS (CANNOT BE JOINED)²		CONTINUOUS RUNS (JOINABLE)³					
Acoustical Grid Ceiling G1G- 1" Ceiling Grid G9G- 9/16" Ceiling Grid GSG- Screw Slot Ceiling Grid		Inaccessible Ceiling FLF- Standard 1/2" Flange SFS- Spackle Flange NFN- Flangeless ⁴		Acoustical Grid Ceiling G1- 1" Ceiling Grid G9- 9/16" Ceiling Grid GS- Screw Slot Ceiling Grid		Inaccessible Ceiling FL- Standard 1/2" Flange SF- Spackle Flange NF- Flangeless ⁴	

¹See below for mounting detail. Consult factory for tegular edged tiles. ²Individual units cannot be joined. All end trims are factory installed and cannot be removed in the field. Individual fixtures designed to fall on-grid. ³Continuous runs are designed to fall on-grid with acoustical grid ceilings. ⁴NF and NFN to be utilized for metal pan / millwork ceiling. ⁵347 volt and UNV not available with MR16 and battery packs. ⁶Some Edge configurations will not accommodate all electrical options. Consult factory. ⁷Includes 4 ft individual unjoinable units, G1G, FLF mounts, Universal voltage, std white finish, single and dual circuit. ⁸Available for acoustical grid ceilings. Wall rail painted white unless otherwise specified. ⁹1/2" to 5/8" drywall thickness. Available for standard 1/2" flange (FL). ¹⁰See back page for Layout and Ordering Information. ¹¹Add CL to all fixture types involved in the connector layout. See back page for additional information. ¹²Integral battery packs with remote test switch are provided with 1B and 2B options.

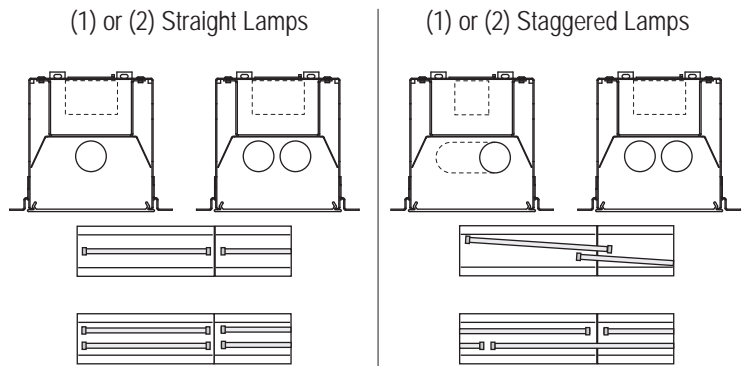
Individual Luminaires¹

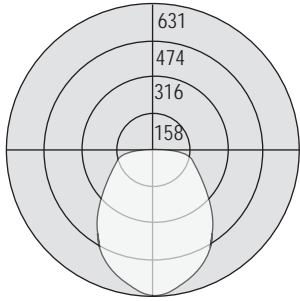
Side Views (See Mounting Detail for information)



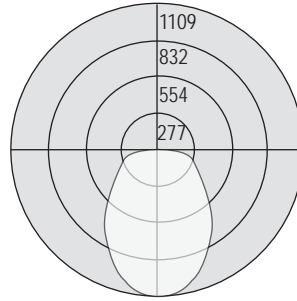
¹Acoustical Grid Ceiling and Inaccessible Ceilings available as individual units or continuous rows. Individual units and rows are available for on-grid installation with acoustical ceilings.

Mounting Detail





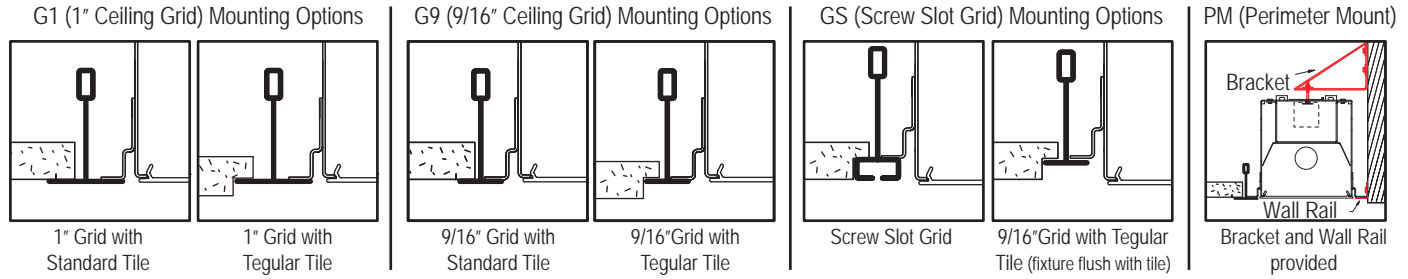
Test# 203083
Lamps: (1) 32W T8
Total Luminaire Efficiency: 58%



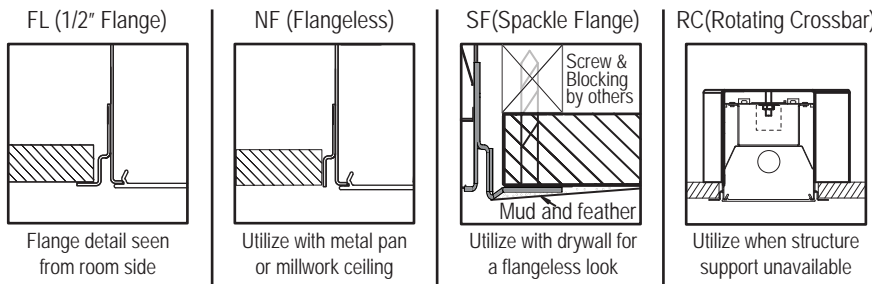
Test# 203086
Lamps: (2) 32W T8
Total Luminaire Efficiency: 48.4%

MOUNTING DETAILS

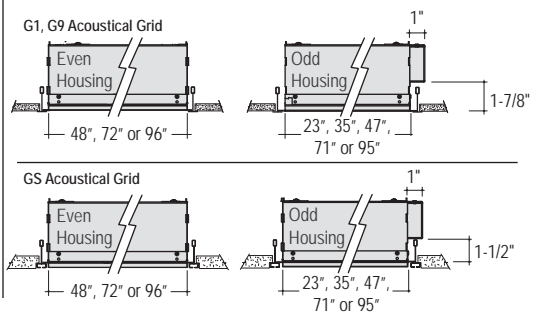
Acoustical Grid Ceiling Options



Inaccessible Ceiling Options

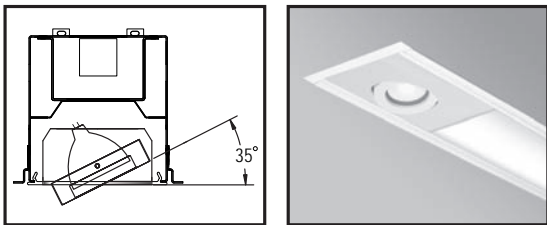


Side View of fixture in Grid Ceiling



FEATURES AND OPTIONS

MR16 HALOGEN LAMP



APPLICATION: EDGE 4 offers both task and accent lighting when used with MR16 lamps. MR16's are ideal for conference rooms, corridors, wall washing, retail spaces and training facilities.

TECHNICAL: MR16 fully enclosed compartment eliminates light from entering into other fixture areas. Available in 20, 35 and 50 watt halogen lamps (lamps not included). Consult factory for other lamp types. Lamp tilts to 35 degrees left or right with 179 degree rotation.

ELECTRICAL: Standard 50 watt max halogen lamp transformer. MR16 installed as independent circuit. MR16 voltage to match fluorescent voltage. Universal voltage and 347 volt not available.

LENS: MR16 available in 5 different lens options: Clear Lens (LC), Prismatic Lens (LP), Linear Spread Lens (LL), Diffuse Spread Lens (LD) and Frosted Lens (LF). Clear lens provided with each MR16.

LABELS: UL and cUL Listed, approved for dry/damp location unless otherwise noted.

ORDERING INFORMATION: Specify MR16 layout and lens in the options section of the part number.

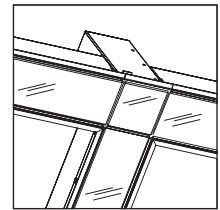
Sample Catalog #: E4A-1T8-4-FL-120-1C-S-M2/LP.

ILLUMINATED CONNECTOR

APPLICATION: The patent pending connector carries a low wattage PL lamp for seamless layouts while offering limitless system configurations. Recommended for gypsum board or inaccessible ceilings using the standard 1/2" flange mount (FL).

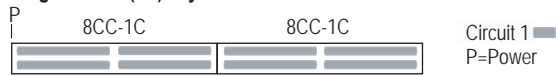
CONSTRUCTION: Formed cold rolled steel housing. The height is 10.25" and width is 4.40". T8 utilizes a 7 watt PL lamp. Connector cannot be dimmed. Factory submittal drawings required.

ORDERING INFORMATION: Specify Illuminated Connector (CL) in the options section of the part number. Sample Catalog #: E4A-1T8-24-FL-120-1C-W-CL.

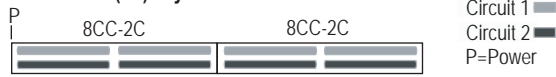


CIRCUITING (shown using 2 lamp cross sections)

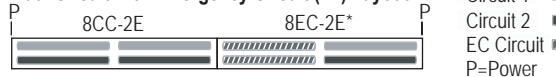
Single Circuit (1C) Layout



Dual Circuit (2C) Layout



Dual Circuit with Emergency Circuit (2E) Layout



*Emergency Circuit is not dual circuited