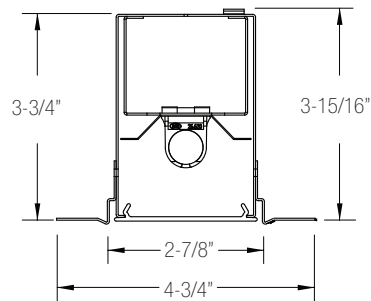
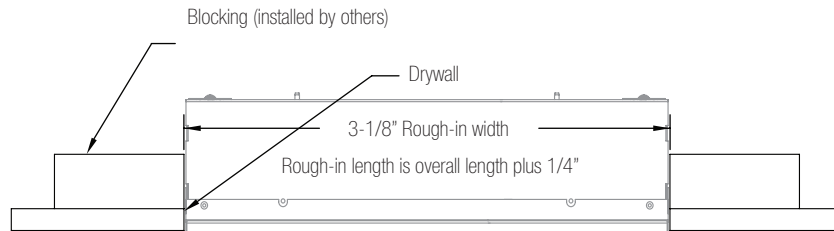
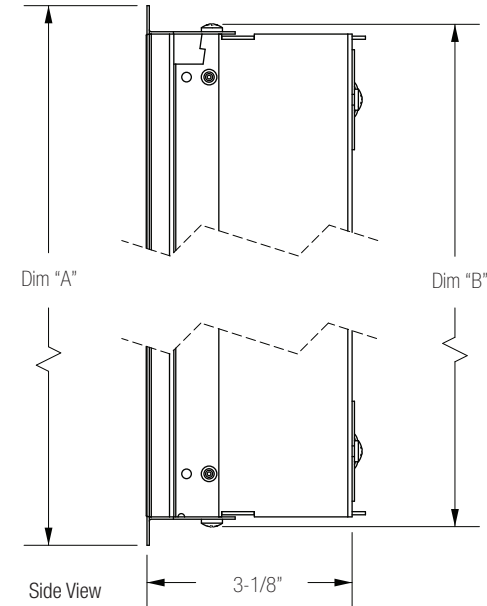


EDGE2 T5/ T5HO IWS - In Wall Installation

Front View



*** DO NOT SCREW INTO SIDE OF HOUSING *
DO NOT REMOVE CROSS BRACKETS
UNTIL FIXTURE IS INSTALLED**



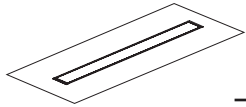
Opening can not be smaller then 3-1/8". An "End Trim" may be used as a gauge for ensuring minimum width.

Fixture Dimensions and Wall Opening

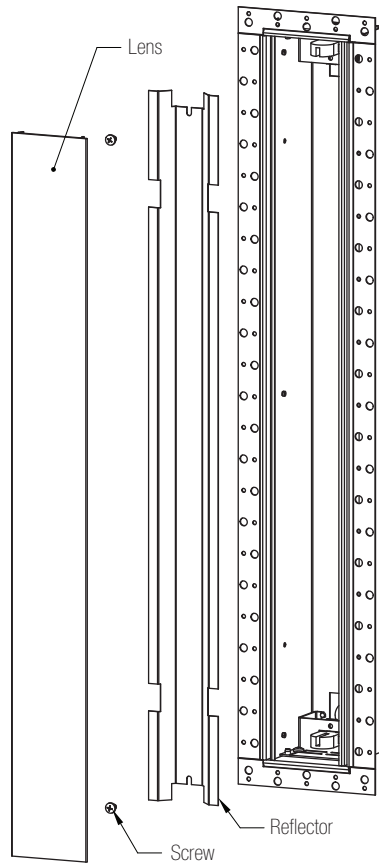
Fixture	Dim "A"	Dim "B"	Suggested Opening Length	Suggested Opening Width
2'	23-7/8"	23"	23-1/4"	3-1/8"
3'	35-7/8"	35"	35-1/4"	3-1/8"
4'	47-7/8"	47"	47-1/4"	3-1/8"
6'	70-7/8"	70"	70-1/4"	3-1/8"
8'	94-7/8"	94"	94-1/4"	3-1/8"



1. This product must be installed in accordance with applicable installation and electrical codes by a professional familiar with the construction and operation of the product.
2. Minimum 90°C supply conductors
3. All electrical connections must be performed by a certified electrician to applicable local and national electrical codes.
4. Fixtures must be mounted directly to structure.

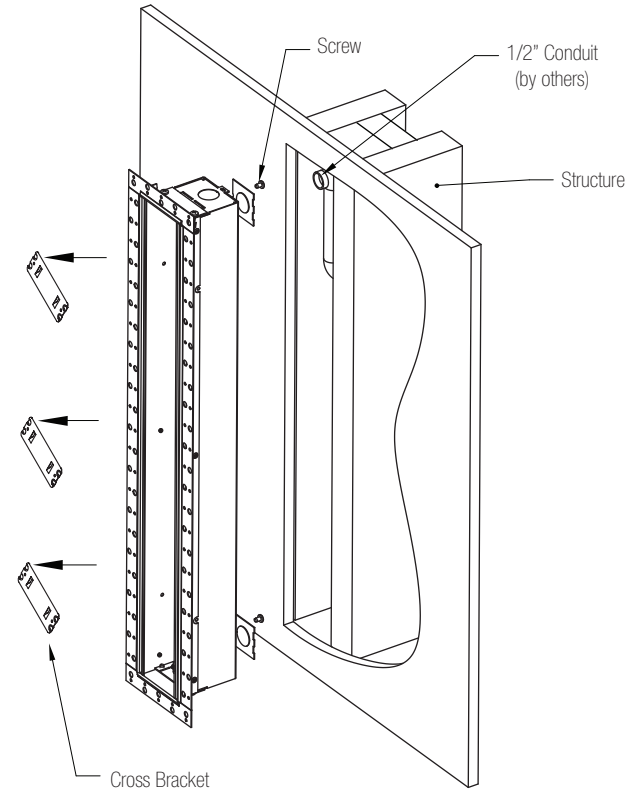


EDGE² T5/ T5HO IWS - In Wall Installation



Step 1: Layout/ Dimensions

1. Layout and install J-boxes, whip out from wall.
2. Ensure opening and structural support are in place (see page one).
3. Remove access cover from fixture and attach building power.
4. Re attach access cover with power wires in fixture.

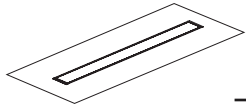


Step 2: Installing the Fixture

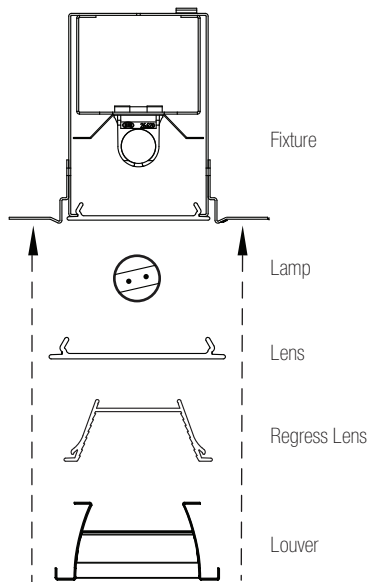
1. Position fixture between structural mounts, attach to structure by screwing one (1) screw into flange every 6 inches.
2. Once mounted remove cross brackets and discard.
3. Remove reflector and attach building power.

1. This product must be installed in accordance with applicable installation and electrical codes by a professional familiar with the construction and operation of the product.
2. Minimum 90°C supply conductors
3. All electrical connections must be performed by a certified electrician to applicable local and national electrical codes.
4. Fixtures must be mounted directly to structure.





EDGE2 T5/ T5HO IWS - In Wall Installation

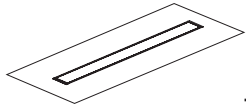


Step 3: Finishing

1. Re-install reflector.
2. Install lamps.
3. Install lens/ louver/ or regress lens.

1. This product must be installed in accordance with applicable installation and electrical codes by a professional familiar with the construction and operation of the product.
2. Minimum 90°C supply conductors
3. All electrical connections must be performed by a certified electrician to applicable local and national electrical codes.
4. Fixtures must be mounted directly to structure.





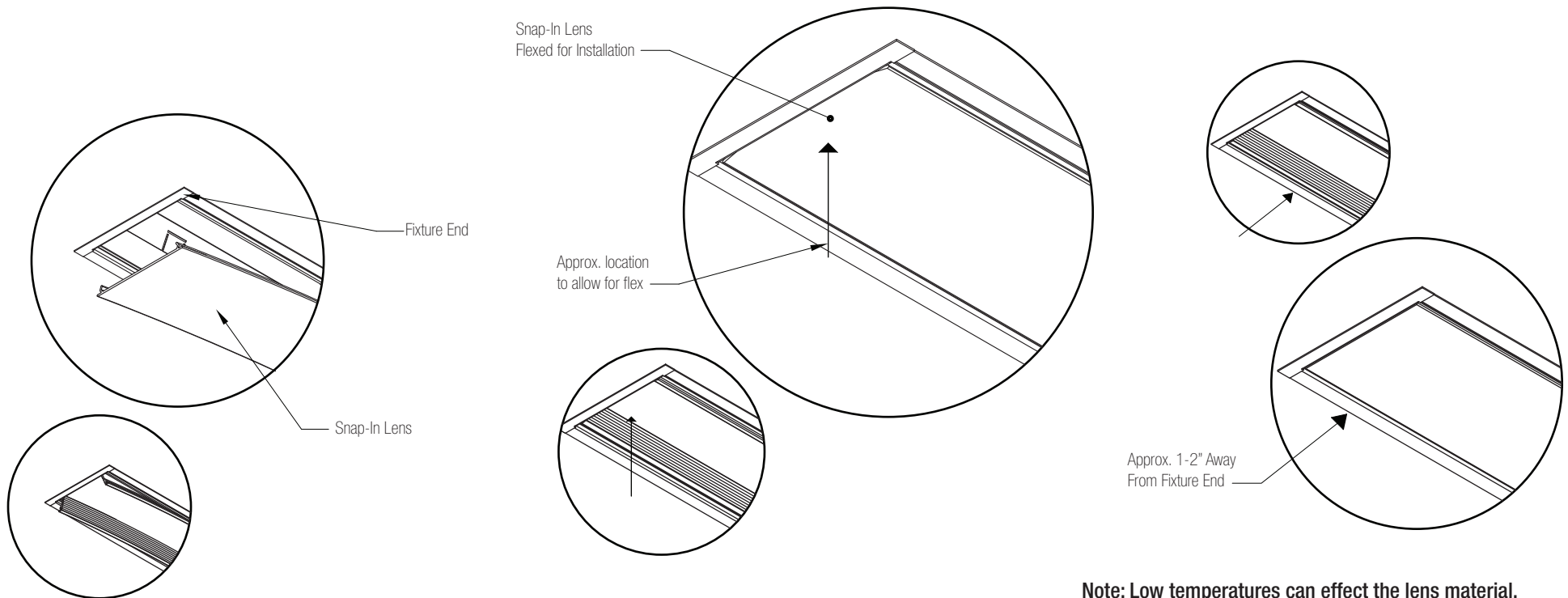
EDGE Snap In Lens Lensing detail sheet

Lens Installation

1. Begin at one end of the fixture and insert lens into appropriate position where it will snap into place.
2. Gradually insert the lens along the length of the fixture, snapping it into place as you go.
3. If at any point the lens becomes difficult to insert press slightly into the center of the lens in order to allow for it to flex, temporarily decreasing the width of the lens.

Lens Removal

1. Insert a rigid object approx. 1/16" thick, such as a quarter, into the edge between the lens and the fixture, approx. 1-2" from the end of the lens. (6" for regress lens)
2. Using said object, gently pry lens away from fixture until it is released from the mounting edge.
3. Once the section is released, start at one end of the fixture and pull the lens out of the fixture.



Note: Low temperatures can effect the lens material, making it brittle. Please allow the lenses to warm to room temperature before installation.