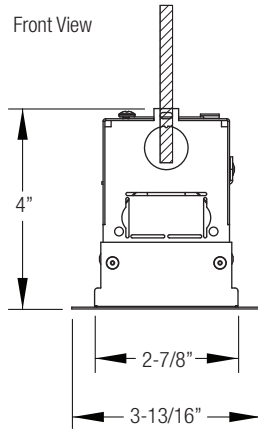
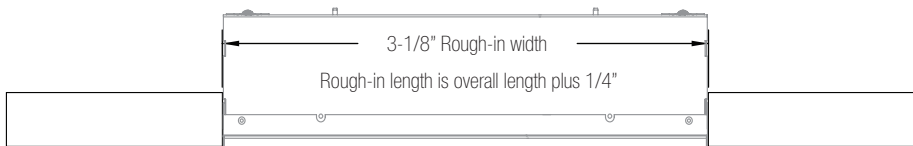
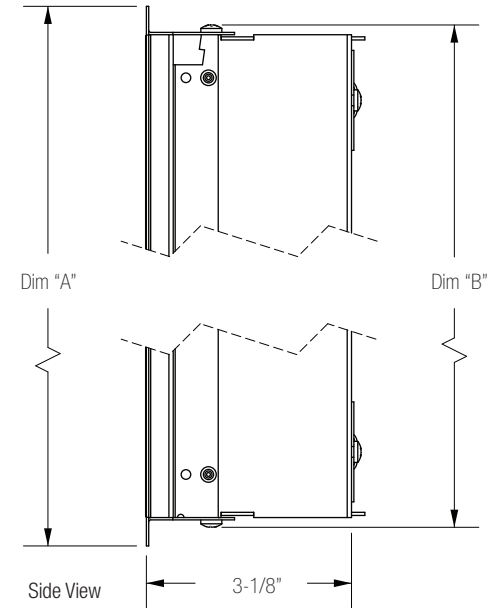


EDGE² T5/ T5HO IW - In Wall Installation



★ Do not screw into side of housing. ★



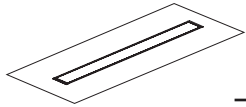
Opening can not be smaller than 3-1/8". An "End Trim" may be used as a gauge for ensuring minimum width.

Fixture Dimensions and Wall Opening

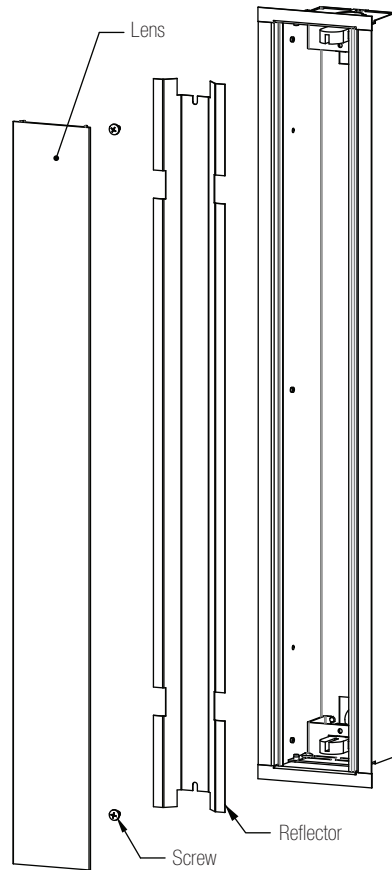
Fixture	Dim "A"	Dim "B"	Suggested Opening Length	Suggested Opening Width
2'	23-7/8"	23"	23-1/4"	3-1/8"
3'	35-7/8"	35"	35-1/4"	3-1/8"
4'	47-7/8"	47"	47-1/4"	3-1/8"
6'	70-7/8"	70"	70-1/4"	3-1/8"
8'	94-7/8"	94"	94-1/4"	3-1/8"



1. This product must be installed in accordance with applicable installation and electrical codes by a professional familiar with the construction and operation of the product.
2. Minimum 90°C supply conductors
3. All electrical connections must be performed by a certified electrician to applicable local and national electrical codes.
4. Fixtures must be mounted directly to structure.

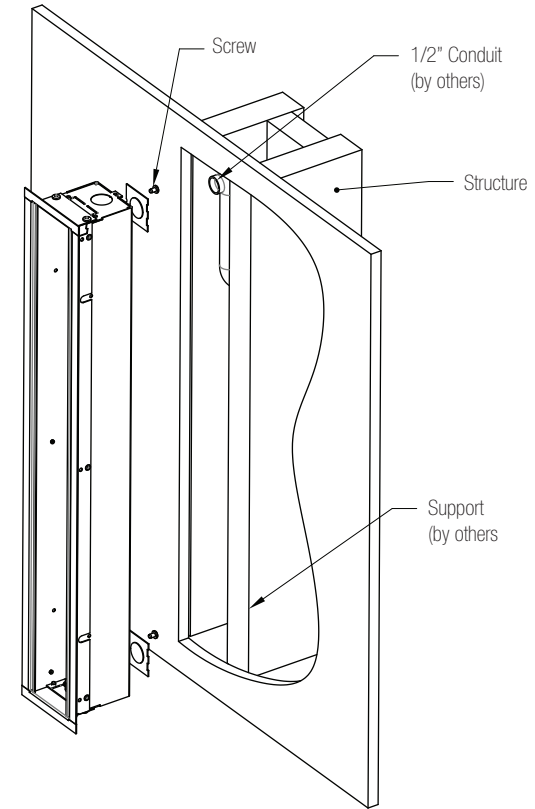


EDGE² T5/ T5HO IW - In Wall Installation



Step 1: Layout/ Dimensions

1. Layout and install J-boxes, whip out from wall.
2. Ensure opening and structural support are in place (see page one).
3. If lens is attached, remove lens.
4. Remove reflector.

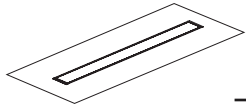


Step 2: Installing the Fixture

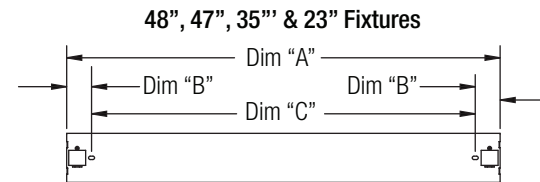
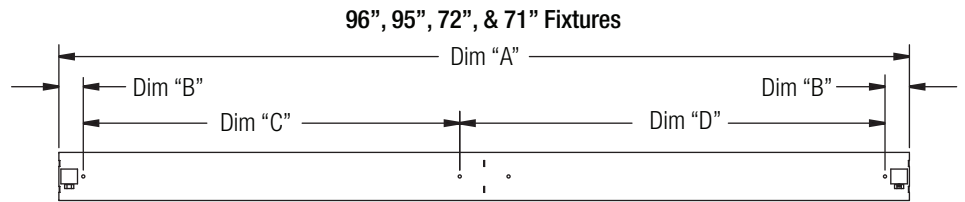
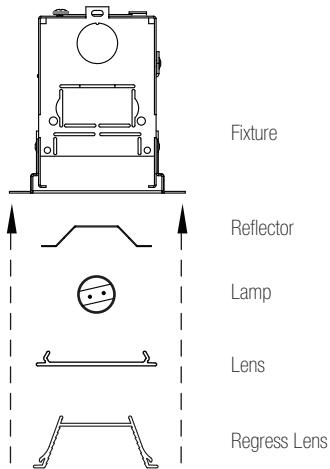
1. Remove access cover from fixture and attach building power.
 2. Make all necessary power connections inside fixture, replace access cover.
 3. Position fixture between structural mounts, attach to structure from back.
- Refer to page three for mounting locations.



1. This product must be installed in accordance with applicable installation and electrical codes by a professional familiar with the construction and operation of the product.
2. Minimum 90°C supply conductors
3. All electrical connections must be performed by a certified electrician to applicable local and national electrical codes.
4. Fixtures must be mounted directly to structure.



EDGE² T5/ T5HO IW - In Wall Installation



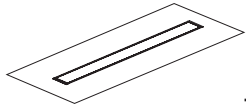
	"A"	"B"	"C"	"D"
96"	8'	2' 1/16"	3' 7-7/8"	4'
95"	7' 11"	2' 1/16"	3' 7-3/8"	3' 11-1/2"
72"	6'	2' 1/16"	2' 7-7/8"	3'
71"	5' 11"	2' 1/16"	2' 7-3/8"	2' 11-1/2"
48"	4'	2' 1/16"	3' 7-7/8"	n/a
47"	3' 11"	2' 1/16"	3' 6-7/8"	n/a
35"	2' 11"	2' 1/16"	2' 6-7/8"	n/a
23"	1' 11"	2' 1/16"	1' 6-7/8"	n/a

Step 3: Finishing

1. Re-install reflector.
2. Install lamps.
3. Install lens.

1. This product must be installed in accordance with applicable installation and electrical codes by a professional familiar with the construction and operation of the product.
2. Minimum 90°C supply conductors
3. All electrical connections must be performed by a certified electrician to applicable local and national electrical codes.
4. Fixtures must be mounted directly to structure.





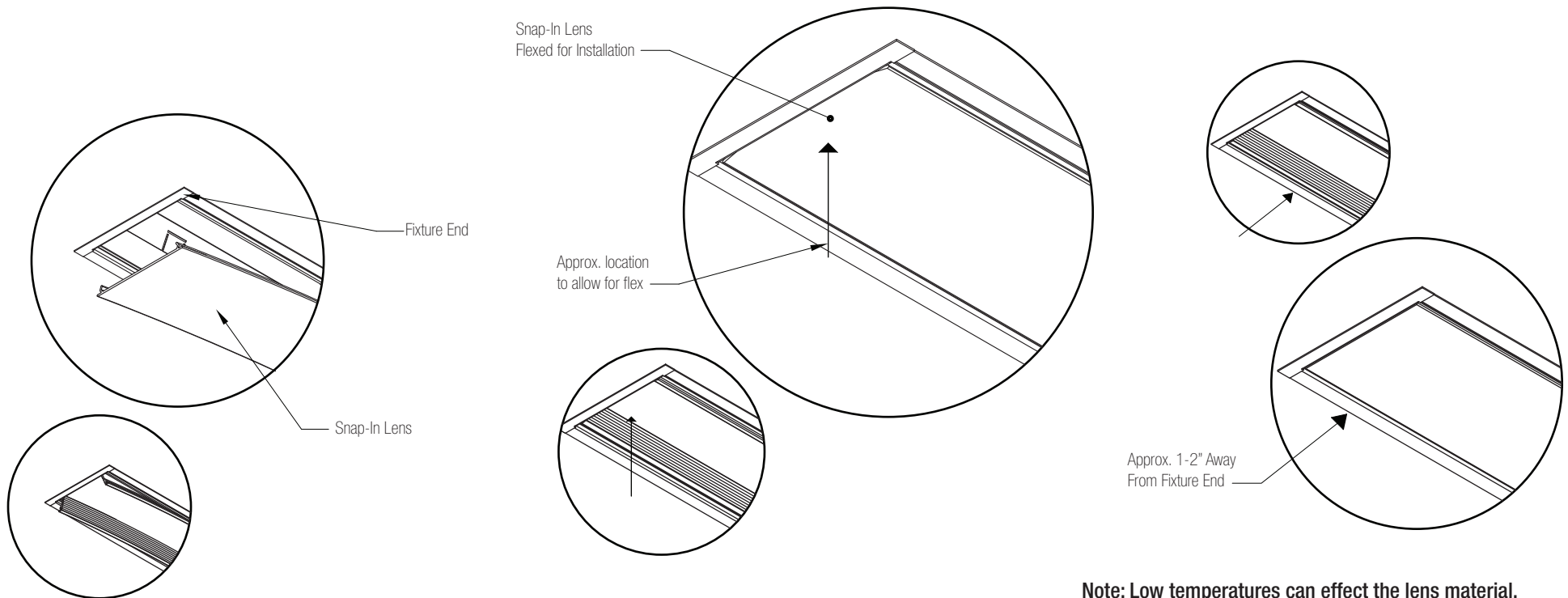
EDGE Snap In Lens Lensing detail sheet

Lens Installation

1. Begin at one end of the fixture and insert lens into appropriate position where it will snap into place.
2. Gradually insert the lens along the length of the fixture, snapping it into place as you go.
3. If at any point the lens becomes difficult to insert press slightly into the center of the lens in order to allow for it to flex, temporarily decreasing the width of the lens.

Lens Removal

1. Insert a rigid object approx. 1/16" thick, such as a quarter, into the edge between the lens and the fixture, approx. 1-2" from the end of the lens. (6" for regress lens)
2. Using said object, gently pry lens away from fixture until it is released from the mounting edge.
3. Once the section is released, start at one end of the fixture and pull the lens out of the fixture.



Note: Low temperatures can effect the lens material, making it brittle. Please allow the lenses to warm to room temperature before installation.