

UNLIMITED ARCHITECTURAL LIGHTING APPLICATION

The images below suggest a few creative ways to incorporate cove lighting into the design of interior space. Pinnacle's Cove 105 will visually accent and define architectural form while providing glare-free ambient illumination.



Ceiling Coffers



Floating Ceiling



Combination Indirect Cove and Wall Wash



Stack or Furniture Mounted

C O V E 1 0 5

LUMINAIRE SPECIFICATION

Sample Catalog #: C105-1T5HO-26'-120-N-DM

C	LAMPS*	LENGTH	VOLTAGE	N-	OPTIONS**																								
HOUSING				FINISH																									
C105- Cove reflector setting with low peak candela angle.	1T8- (1) T8 lamp 1T5- (1) T5 lamp 1T5HO- (1) T5HO lamp 2T8- (2) T8 lamps 2T5- (2) T5 lamps 2T5HO- (2) T5HO lamps	Individual Units <table border="1"> <thead> <tr> <th></th> <th>T5</th> <th>T5HO</th> <th>T8</th> </tr> </thead> <tbody> <tr> <td>2- 2'</td> <td>1 or 2-14W</td> <td>1 or 2-24W</td> <td>1 or 2-17W</td> </tr> <tr> <td>3- 3'</td> <td>1 or 2-21W</td> <td>1 or 2-39W</td> <td>1 or 2-25W</td> </tr> <tr> <td>4- 4'</td> <td>1 or 2-28W</td> <td>1 or 2-54W</td> <td>1 or 2-32W</td> </tr> <tr> <td>6- 6'</td> <td>2 or 4-21W</td> <td>2 or 4-39W</td> <td>2 or 4-25W</td> </tr> <tr> <td>8- 8'</td> <td>2 or 4-28W</td> <td>2 or 4-54W</td> <td>2 or 4-32W</td> </tr> </tbody> </table>		T5	T5HO	T8	2- 2'	1 or 2-14W	1 or 2-24W	1 or 2-17W	3- 3'	1 or 2-21W	1 or 2-39W	1 or 2-25W	4- 4'	1 or 2-28W	1 or 2-54W	1 or 2-32W	6- 6'	2 or 4-21W	2 or 4-39W	2 or 4-25W	8- 8'	2 or 4-28W	2 or 4-54W	2 or 4-32W	120- 120 Volt 277- 277 Volt 347- 347 Volt	N- None (Natural Metal Finish)	DM- Dimming EB- Battery Pack EC- Emergency Circuit DC- Dual Circuit
	T5	T5HO	T8																										
2- 2'	1 or 2-14W	1 or 2-24W	1 or 2-17W																										
3- 3'	1 or 2-21W	1 or 2-39W	1 or 2-25W																										
4- 4'	1 or 2-28W	1 or 2-54W	1 or 2-32W																										
6- 6'	2 or 4-21W	2 or 4-39W	2 or 4-25W																										
8- 8'	2 or 4-28W	2 or 4-54W	2 or 4-32W																										
C130- Cove reflector setting with high peak candela angle.		Continuous Runs (8'+) xx'- Specify Nominal Overall Row Length in 1'			**Some Cove 105 configurations will not accommodate all options Dimensions and specifications subject change without notice																								

C O V E 1 0 5



www.pinnacle-ltg.com

6660 East 47th Avenue Drive Denver, Colorado 80216 Phone 303.322.5570 Fax 303.322.5568
February 2007

PINNACLE
ARCHITECTURAL LIGHTING

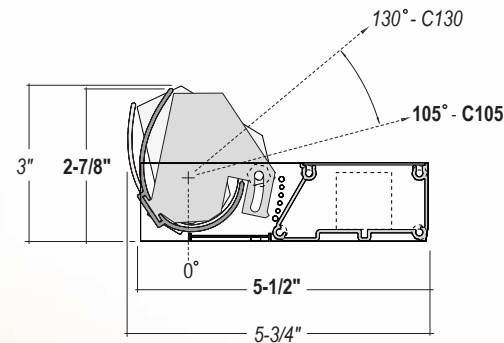




Adjustable Architectural Cove Luminaire

Linear Fluorescent
1T5, 1T5HO, 2T5, 2T5HO
1T8, 2T8

105 degrees from nadir (0 degrees) is the perfect relationship between a Pinnacle's Cove 105 and an architectural surface. It's the magical threshold where overbearing brightness transforms into smooth luminosity. The Cove 105 confines this relationship to a "cove" or any architectural niche capable of concealing a low profile lighting element. Choose from an array of lamp options, reflector settings, and row lengths... then let your imagination roam free!

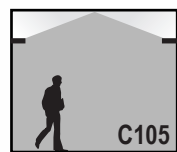


Construction

High reflectance extruded aluminum adjustable (locking) reflector, rotates from 105 to 130 degree peak candela, extruded aluminum ballast housing, formed aluminum ballast access panel and galvanized steel bracketing. Integral electronic ballast, through-wired with quick connects.

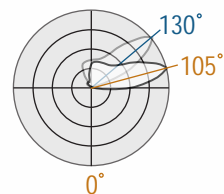
Two Standard Reflector Settings

Cove 105 is available in two standard settings, either "low" or "high". The most common "low" setting, C105 carries a peak beam angle of approximately 105 degrees. The low angle is ideal for grazing perfectly horizontal ceilings or vertical wall surfaces. The C130, "high-beam" setting is ideal for pitched or vaulted ceilings. Each setting is pre-aimed at the factory.



Optical Performance

Cove 105's reflector transforms raw lamp lumens into a well formed asymmetric light distribution with a wide "throw" ideal for "washing" architectural surfaces from room perimeters. End results reveal broad, glare-free evenly luminous surfaces.

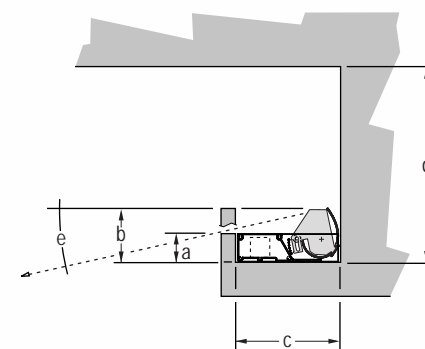


Minimal Socket Shadows

The greatest enemy of cove lighting is the "socket-shadow". Cove 105 virtually eliminates "socket-shadows" by tailoring housing lengths to lamp lengths while also shielding surfaces closest to the source from direct lamp brightness.

Typical Cove Design Guidelines

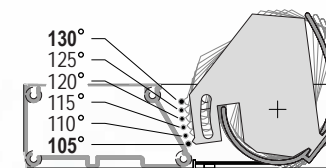
Designing the right cove can be a challenge. Variables such as fixture mounting height, room size, lamp type, and lamp quantity all influence the end lighting effect. Pinnacle has created design guidelines that support the best combination of surface uniformity and ambient illumination. For best results specify high reflectance surfaces with a matte finish.



- a Valance Height (Min) 1.5" (recommended for best results)
- b Valance Height (Max) 3.0" (recommended for very large rooms with low cove heights to prevent lamp image visibility)
- c Cove Interior Width C105-5.75" min, C130-6" min
- d Overall Cove Height 1T5-12"minimum /18"preferred
1T5HO-18"minimum /24"preferred
1T8- 12"minimum /18"preferred
2T5- 15"minimum /21"preferred
2T5HO- 21"minimum /30"preferred
2T8- 15"minimum /21"preferred
- e Lamp Image Cut-Off 0°-12.5° dependent on valance height

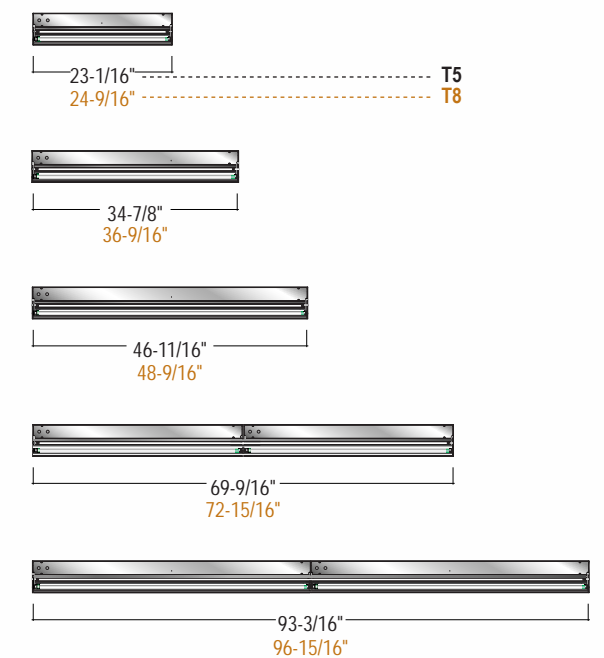
Field Adjustable, "Lockable" Reflector

For "fine-tuning" in the field, Cove 105's reflector easily adjusts and locks within the 105 and 130 degree peak candela range (to any degree). Visual aiming notches offer reference every 5 degrees.



System Components

Pinnacle's Cove 105 is typically configured into long continuous rows. Power is fed into the first luminaire and "feeds-through" each luminaire section. T5 and T8 modules carry different lengths to eliminate socket shadows.



Fast Installation

Cove 105's light-weight aluminum construction is easy to handle and lift into place. Simply secure each module to structure with a few screws and make continuous electrical connections with standard quick-connect through wiring. Don't forget that the price of installation is half of the overall lighting cost!

