

CONSTRUCTION Extruded aluminum housing and reflector, zinc plated fasteners and hardware, formed galvanized steel and aluminum bracketing.

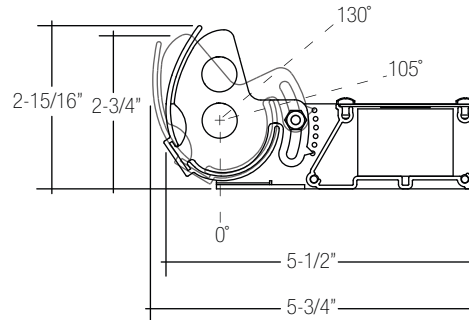
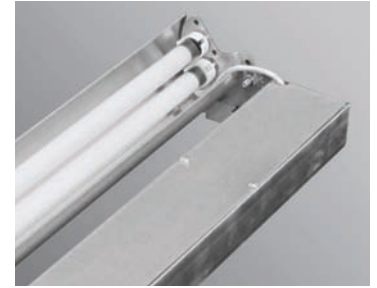
REFLECTOR Highly reflective adjustable extruded aluminum reflector with two optional factory aimed positions as shown. Reflector may be easily field adjusted to a range of positions (See back page for more details).

ELECTRICAL Standard programmed start UL listed Class P, T5 electronic, Sound Rated A, thermally protected, High Power Factor ballasts less than 10% THD, Universal voltage (120/277) with 50/60Hz operation. Through wiring with quick connects standard. Standard single circuit. Each ballast provided with disconnects to meet luminaire disconnect code requirement.

MOUNTING Cove 105 mounts to architectural cove structure by others. For best results follow "Typical Cove Design Guidelines".

FINISH Unpainted aluminum natural metal finish.

LABELS UL and cUL Listed, approved for dry/damp location unless otherwise specified.



Two Standard Reflector Settings Specify one of two settings (C105 or C130) to ensure proper illumination of ceiling surfaces regardless of the ceiling pitch. Note dimensional differences (see back page for more details)

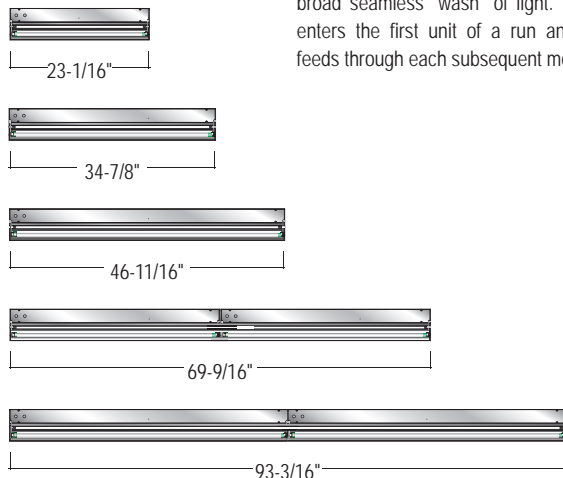
LUMINAIRE SPECIFICATION

Sample Catalog #: C105-2T5HO-26'-120-1C-N

C	2T5	'	-	N	-	
HOUSING	LAMPS	LENGTH	VOLTAGE	CIRCUITING ²	FINISH	OPTIONS
C105- Cove reflector setting with low peak candela angle. C130- Cove reflector setting with high peak candela angle.	2T5- (2) T5 lamp 2T5HO- (2) T5HO lamp	Individual Units 2- 2' T5: (2) 14Watt T5HO: (2) 24 Watt 3- 3' T5: (2) 21 Watt T5HO: (2) 39 Watt 4- 4' T5: (2) 28 Watt T5HO: (2) 54 Watt 6- 6' T5: (4) 21 Watt T5HO: (4) 39 Watt 8- 8' T5: (4) 28 Watt T5HO: (4) 54 Watt Continuous Runs (8+) xx ¹ - Specify nominal overall row length in 1' increments	120- 120 Volt 277- 277 Volt 347- 347 Volt ¹ UNV- UNV ¹ (120/277)	1C- Single Circuit 2C- Dual Circuit 1D- Single Circuit Dimming ² 2D- Dual Circuit Dimming ² 1E- Single Circuit with Emergency Circuit ² 2E- Dual Circuit with Emergency Circuit ² 1B- Single Circuit with Battery Pack ² 2B- Dual Circuit with Battery Pack ²	N- None (Natural metal finish)	QS- Quick Ship ³

¹ 347 volt and UNV not available with battery packs.
² Some Cove 105 configurations will not accommodate all options. Consult factory.
³ Quick Ship includes T5, T5HO, Universal Voltage, natural finish, single and dual circuit.

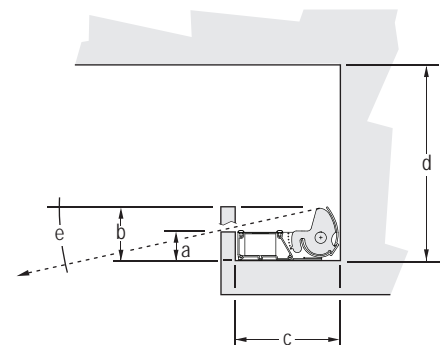
COMPONENTS



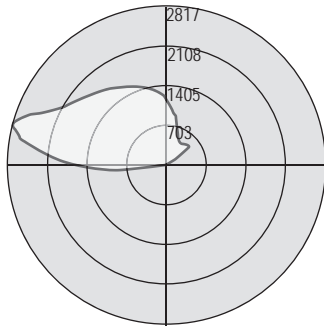
Cove 105 components easily join to form an array of continuous run lengths for a broad seamless "wash" of light. Power enters the first unit of a run and then feeds through each subsequent module.

TYPICAL COVE DESIGN GUIDELINES

For best results specify a smooth high-reflectance painted surface or material with a matte finish



- a Valance Height (Min) 1.5" (recommended for best results)
- b Valance Height (Max) 3.0" (recommended for very large rooms with low cove heights to prevent lamp image visibility)
- c Cove Interior Width C105-5.75" min, C130-6" min
- d Overall Cove Height 2T5-15"min/21"preferred, 2T5HO-21"min/30"preferred
- e Lamp Image Cut-Off 0°-12.5° dependent on valance height



Test #202237
 Catalog # C105-2T5HO-4'-X-N
 Total Luminaire Efficiency = 67.70%

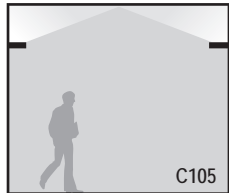
Zone	Lumens	%Lamp	%Fixt
0-30	0.01	0	0
0-40	6.65	0.1	0.1
0-60	32.82	0.3	0.5
0-90	462.81	4.6	7.7
90-120	2597.2	26	43.1
90-130	3397.32	34	56.4
90-150	4707.62	47.1	78.1
90-180	5561.82	55.6	92.3
0-180	6024.63	60.2	100

0	45	90	135	180	225	270	315	360	
35	0	0	4	0	0	3	56	3	0
45	0	6	17	6	0	47	17	47	0
55	1	14	29	16	1	22	0	22	1
65	11	25	38	25	10	15	1	15	11
75	28	25	25	25	27	32	57	32	28
85	86	22	16	22	87	583	1021	580	86
90	251	17	10	18	254	1197	1673	1197	251
95	350	11	2	10	349	1653	2137	1651	350
105	381	31	0	32	387	1840	2811	1839	381
115	495	157	12	155	494	1532	2193	1535	495
125	627	377	317	375	632	1459	1928	1460	627
135	768	393	507	401	770	1420	1768	1421	768
145	897	444	431	446	896	1373	1627	1384	897
155	1015	569	463	572	1013	1337	1506	1330	1015
165	1093	795	676	794	1099	1279	1374	1272	1093
175	1141	1048	981	1028	1125	1236	1240	1203	1141
180	1160	1160	1160	1160	1160	1160	1160	1160	1160

FEATURES AND OPTIONS

• Two Standard Reflector Settings

Two optional factory settings offer lighting design flexibility.



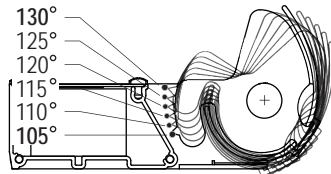
>C105- Standard "Low Beam" Setting ideal for the majority of horizontal ceiling cove applications with an approximate peak candela angle of 105 degrees.



>C130-Specify the "high-beam" setting (130 degree peak candela) to evenly "graze" pitched ceiling surfaces.

• Field Adjustability

For fine-tuning in the field the Cove 105 adjusts and locks to all degrees between 105 and 130. Aiming notches on the end-bracket offer visual aiming reference on 5 degree increments.



• Easy Installation

Simply remove the pre-aimed lightweight aluminum Cove 105 from the box, rest it into the cove and secure to structure with a couple of screws. Each continuous run requires only one power connection.



• Quick Connect Through Wiring

All Cove 105 sections are pre-wired for "through-wiring" with "plug-in" quick connects that greatly reduce installation time.



STANDARD ROW CONFIGURATION

Pinnacle Architectural Lighting utilizes standard row configurations for continuous runs. Please consult factory if a project requires non-standard row configurations.

Individual Length	Nominal T5/T5HO Row Length																																																											
	2	3	4	5	6	7	8	9	10	11	12	13	14	15	16	17	18	19	20	21	22	23	24	25	26	27	28	29	30	31	32	33	34	35	36	37	38	39	40																					
2	1			1																																																								
3		1		1		1		1		1		1		1		1		1		1		1		1		1		1		1		1		1		1		1		1		1																		
4			1			1			1		1		1		1		1		1		1		1		1		1		1		1		1		1		1		1		1		1																	
6				1			1		1		1		1		1		1		1		1		1		1		1		1		1		1		1		1		1		1		1																	
8					1			1		1		1		1		2		1		1		2		2		2		3		2		2		3		3		3		3		4		3		4		4		3		4		4		4		5		4