

**CONSTRUCTION** Extruded aluminum housing and reflector, zinc plated fasteners and hardware, formed galvanized steel and aluminum bracketing.

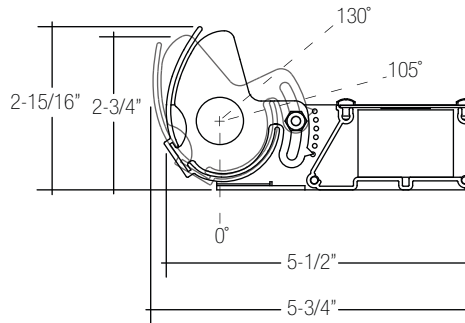
**REFLECTOR** Highly reflective adjustable extruded aluminum reflector with two optional factory aimed positions as shown. Reflector may be easily field adjusted to a range of positions (See back page for more details).

**ELECTRICAL** Standard instant start universal volt (120/277) electronic ballast with less than 10% THD. Through wiring with quick connects standard. Standard single circuit. Each ballast provided with disconnects to meet luminaire disconnect code requirement.

**MOUNTING** Cove 105 mounts to architectural cove structure by others. For best results follow "Typical Cove Design Guidelines".

**FINISH** Unpainted aluminum natural metal finish.

**LABELS** UL and cUL Listed, approved for dry/damp location unless otherwise specified.



**\*Two Standard Reflector Settings**-Specify one of two settings (C105 or C130) to ensure proper illumination of ceiling surfaces regardless of the ceiling pitch. Note dimensional differences (see back page for more details)

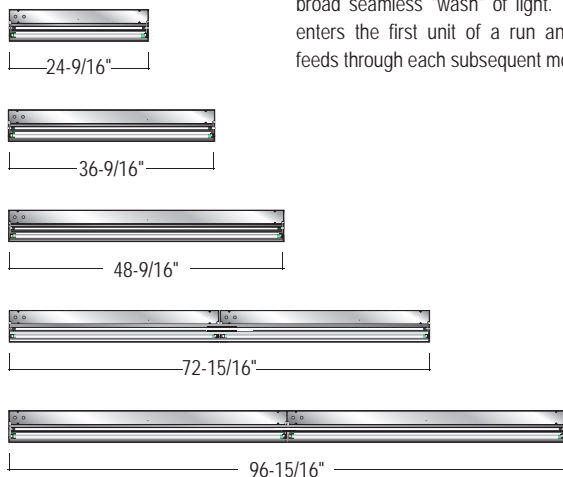
**LUMINAIRE SPECIFICATION**

Sample Catalog #: C105-1T8-26'-120-1C-N

C	1T8-				N-	
HOUSING	LAMPS	LENGTH	VOLTAGE	CIRCUITING <sup>2</sup>	FINISH	OPTIONS
C105- Cove reflector setting with low peak candela angle.  C130- Cove reflector setting with high peak candela angle.	1T8- (1) T8 lamp	<b>Individual Units</b> 2- 2' T8: (1) 17 Watt 3- 3' T8: (1) 25 Watt 4- 4' T8: (1) 32 Watt 6- 6' T8: (2) 25 Watt 8- 8' T8: (2) 32 Watt  <b>Continuous Runs (8+)</b> xx <sup>1</sup> - Specify nominal overall row length in 1' increments	120- 120 Volt 277- 277 Volt 347- 347 Volt <sup>1</sup> UNV- UNV <sup>1</sup> (120/277)	1C- Single Circuit 1D- Single Circuit Dimming <sup>2</sup> 1E- Single Circuit with Emergency Circuit <sup>2</sup> 1B- Single Circuit with Battery Pack <sup>2</sup>	N- None (Natural metal finish)	QS- Quick Ship <sup>3</sup>
				<sup>1</sup> 347 volt and UNV not available with battery packs. <sup>2</sup> Some Cove 105 configurations will not accommodate all options. Consult factory. <sup>3</sup> Quick Ship includes T8, Universal Voltage, natural finish, single and dual circuit.		

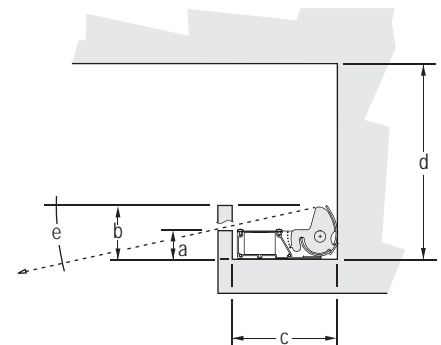
**COMPONENTS**

Cove 105 components easily join to form an array of continuous run lengths for a broad seamless "wash" of light. Power enters the first unit of a run and then feeds through each subsequent module.

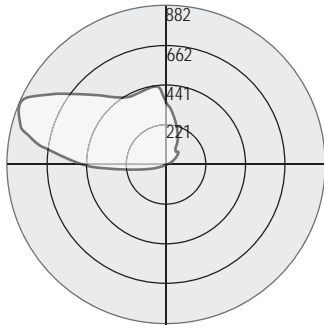


**TYPICAL COVE DESIGN GUIDELINES**

For best results specify a smooth high-reflectance painted surface or material with a matte finish



- a Valance Height (Min) 1.5" (recommended for best results)
- b Valance Height (Max) 3.0" (recommended for very large rooms with low cove heights to prevent lamp image visibility)
- c Cove Interior Width C105-5.75" min, C130-6" min
- d Overall Cove Height 12"min/18"preferred
- e Lamp Image Cut-Off 0°-12.5° dependent on valance height



Test #202236  
 Catalog #C105-1T8-4'-X-N  
 Total Luminaire Efficiency = 61.90%

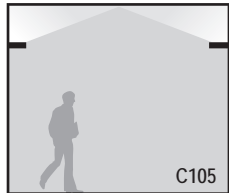
Zone	Lumens	%Lamp	%Fixt
0-30	0	0	0
0-40	0.1	0	0
0-60	1.82	0.1	0.1
0-90	101.06	3.5	5.5
90-120	809.39	27.9	44.3
90-130	1057.85	36.5	57.9
90-150	1445.48	49.8	79.2
90-180	1724.71	59.5	94.5
0-180	1825.77	63	100

0	45	90	135	180	225	270	315	360
35	0	0	1	0	0	0	0	0
45	0	1	3	1	0	0	0	0
55	0	2	5	3	0	0	0	0
65	1	4	6	4	1	1	0	1
75	3	3	2	3	3	4	17	4
85	12	2	0	2	12	148	272	148
90	48	2	0	1	48	290	436	289
95	100	2	0	2	101	427	577	427
105	110	5	0	5	111	620	836	618
115	143	24	2	24	143	566	882	564
125	198	69	47	68	198	466	697	464
135	254	96	108	94	255	413	560	412
145	305	124	94	127	308	401	459	400
155	346	197	141	198	349	421	431	414
165	364	275	223	265	367	440	434	445
175	376	342	320	348	366	416	442	418
180	364	364	364	364	364	364	364	364

FEATURES AND OPTIONS

• Two Standard Reflector Settings

Two optional factory settings offer lighting design flexibility.



>C105- Standard "Low Beam" Setting ideal for the majority of horizontal ceiling cove applications with an approximate peak candela angle of 105 degrees.

• Easy Installation

Simply remove the pre-aimed lightweight aluminum Cove 105 from the box, rest it into the cove and secure to structure with a couple of screws. Each continuous run requires only one power connection.



>C130-Specify the "high-beam" setting (130 degree peak candela) to evenly "graze" pitched ceiling surfaces.

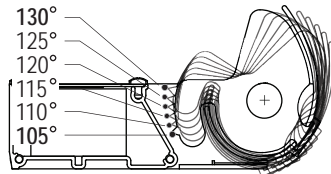
• Quick Connect Through Wiring

All Cove 105 sections are pre-wired for "through-wiring" with "plug-in" quick connects that greatly reduce installation time.



• Field Adjustability

For fine-tuning in the field the Cove 105 adjusts and locks to all degrees between 105 and 130. Aiming notches on the end-bracket offer visual aiming reference on 5 degree increments.



STANDARD ROW CONFIGURATION

Pinnacle Architectural Lighting utilizes standard row configurations for continuous runs. Please consult factory if a project requires non-standard row configurations.

Individual Length	Nominal T8 Row Length																																																			
	2	3	4	5	6	7	8	9	10	11	12	13	14	15	16	17	18	19	20	21	22	23	24	25	26	27	28	29	30	31	32	33	34	35	36	37	38	39	40													
2	1			1																																																
3		1		1		1		1		1		1		1		1		1		1		1		1		1		1		1		1		1		1		1		1		1										
4			1			1			1		1		1		1		1		1		1		1		1		1		1		1		1		1		1		1		1		1									
6					1			1		1		1		1		1		1		1		1		1		1		1		1		1		1		1		1		1		1		1								
8							1			1		1		1		2		1		1		2		2		3		2		2		3		3		4		3		3		4		4		3		4		4		5