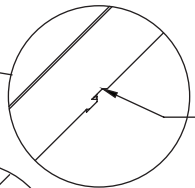
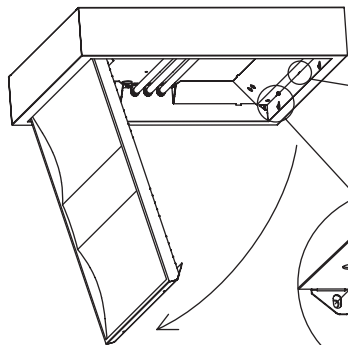
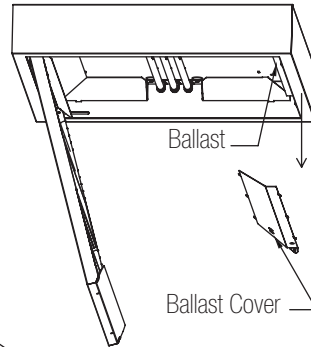
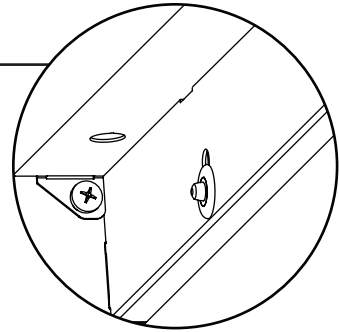


CONVERJ T5/T5HO & T8 Surface Mount

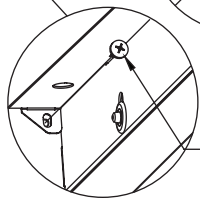
For Lamp/Ballast Maintenance See Separate Maintenance Sheet

Step 1: Remove Ballast Cover

1. Gently push lens up to locate plunger heads (located on one side only), depress both plunger heads with fingers and simultaneously pull door frame down.
 2. One-piece door frame swings open allowing access to lamps, and remains captive to fixture during maintenance.
 3. To access ballast, remove #8-32 screw (one side only) that holds ballast cover and pull out cover by inserting a flat screw driver through slot.
- To remove opposite side cover slide door frame over and repeat steps.



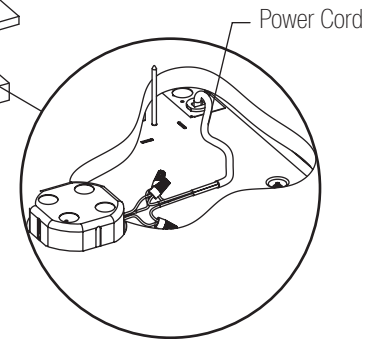
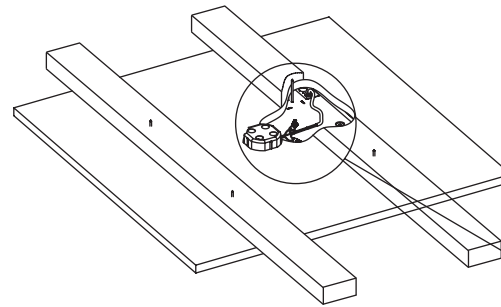
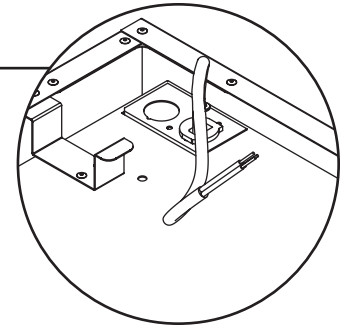
Pull ballast cover out by inserting a flat screw driver through the slot.



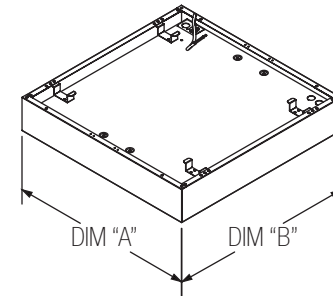
#8-32 Screw (holds ballast cover)

Step 2: Making the Connections

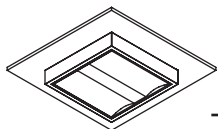
1. Using the power cord from the fixture make necessary wiring connections to building power.
2. After making connections recess the wires into the J-Box.



Fixture Size	Dim "A"	Dim "B"
1x1	14"	14"
1x2	13-1/2"	25-1/2"
1x4	13-1/2"	49-1/2"
2x2	25-1/2"	25-1/2"
2x4	25-1/2"	49-1/2"



1. This product must be installed in accordance with applicable installation and electrical codes by a professional familiar with the construction and operation of the product.
2. Minimum 90°C supply conductors
3. All electrical connections must be performed by a certified electrician to applicable local and national electrical codes.
4. Contact Pinnacle prior to making any fixture alterations.
5. Contact Pinnacle with any installation questions or field issues.

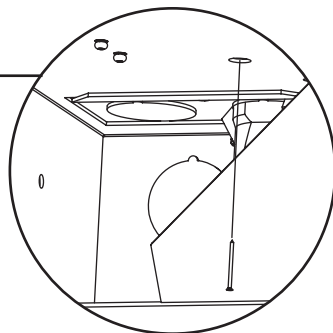


CONVERJ T5/T5HO & T8 Surface Mount

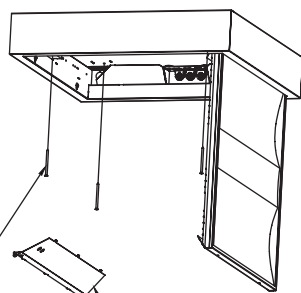
For Lamp/Ballast Maintenance See Separate Maintenance Sheet

Step 3: Mounting

1. Inside ballast channel locate holes in corners (one in each corner).
2. Using these holes (4) mount fixture to ceiling with appropriate mounting hardware (by others).



J-box/Power wire access (by others)



4x
Mounting
Hardware
(by others)

Ballast
Cover

Step 4 Finishing

1. Refer to step 1, reverse steps and re-install ballast covers.
2. Install lamps into fixture, and close door frame.

