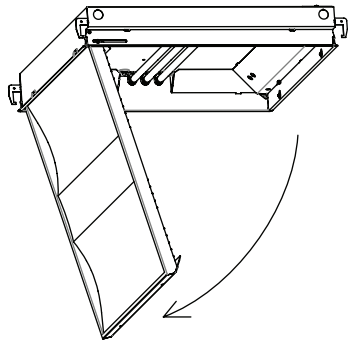
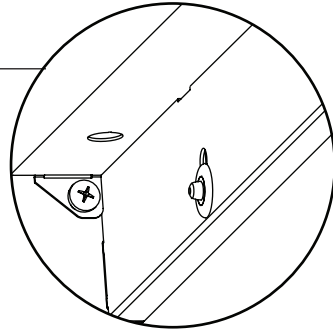


CONVERJ T5/T8 Maintenance Sheet

Step 1: Accessing Lamps

1. Gently push lens up to locate plunger heads (located on one side only), depress both plunger heads with fingers and simultaneously pull door frame down.
2. One-piece door frame swings open allowing access to lamps.

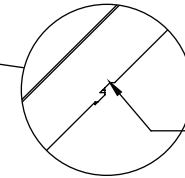
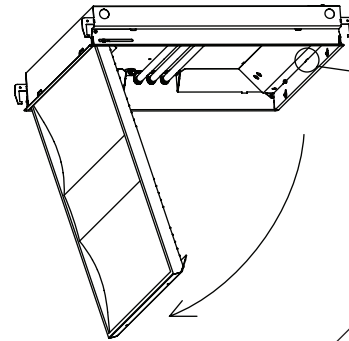
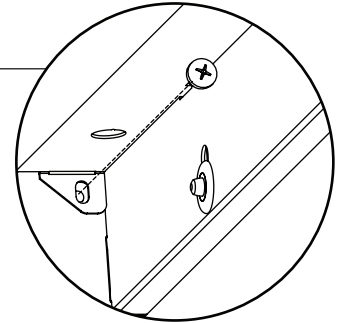


Step 1B: Cleaning Lens

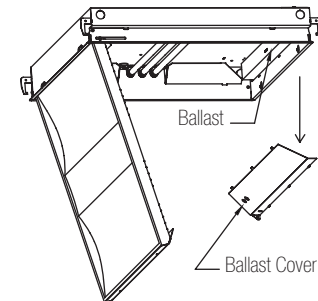
1. Open door frame (as instructed above).
2. Door frame remains captive to fixture during maintenance/cleaning.
3. Wipe top and bottom of lenses with Isopropyl alcohol and a clean rag. (DO NOT USE AMMONIA)
4. Close door frame.

Step 2: Accessing Ballast

1. Remove #8-32 screw (one side only) that holds ballast cover.
2. Insert flat screw driver into slot and pull out ballast cover.
3. If other side needs to be removed slide door frame over and repeat steps 1 & 2.
4. Reverse steps prior to closing.



Pull ballast cover out by inserting a flat screw driver through the slot.



1. This product must be installed in accordance with applicable installation and electrical codes by a professional familiar with the construction and operation of the product.
2. Minimum 90°C supply conductors
3. All electrical connections must be performed by a certified electrician to applicable local and national electrical codes.
4. Contact Pinnacle prior to making any fixture alterations.
5. Contact Pinnacle with any installation questions or field issues.