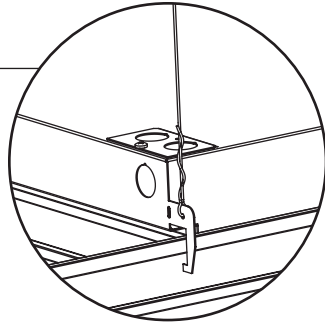
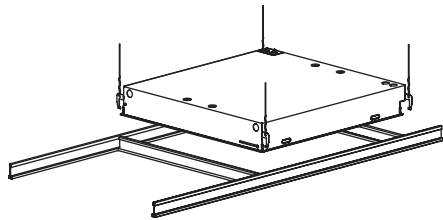


# CONVERJ T5/T5HO & T8 Grid Ceiling Installation

For Lamp/Ballast Maintenance See Separate Maintenance Sheet

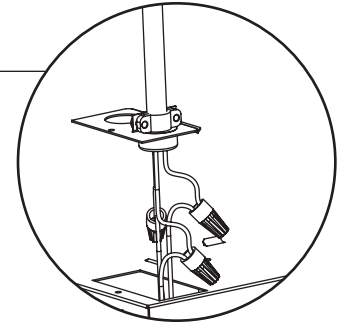
## Step 1: T-Grid Installation

1. Position fixture up through grid opening.
2. Lower fixture so fixture flanges rest on T-Grid.
3. Tie off fixture to structure with retention wires (by others).



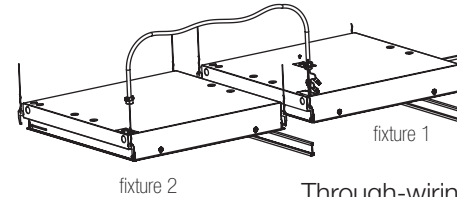
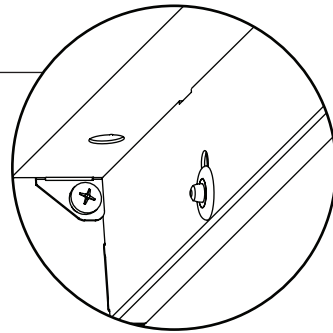
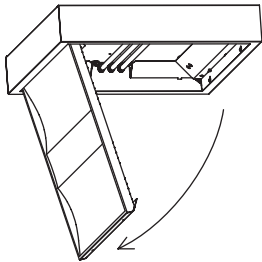
## Step 2: Making the Connections

1. Remove electrical cover, remove knockout, attach building supplied conduit.
2. Make electrical connections, recess wires into fixture cavity and attach cover.



## Step 3: Installing Lamps

1. Gently push lens up to locate plunger heads (located on one side only), depress both plunger heads with fingers and simultaneously pull door frame down.
2. One-piece door frame swings open allowing access to lamps.



### Through-wiring Option \*shown with optional flex whip.

1. Fixtures are shipped with knock out removed and wires for joining fixtures extended from housing.
2. Pull wiring from fixture 1 into fixture 2 make wiring connections in fixture 2.

1. This product must be installed in accordance with applicable installation and electrical codes by a professional familiar with the construction and operation of the product.
2. Minimum 90°C supply conductors
3. All electrical connections must be performed by a certified electrician to applicable local and national electrical codes.
4. Contact Pinnacle prior to making any fixture alterations.
5. Contact Pinnacle with any installation questions or field issues.

