

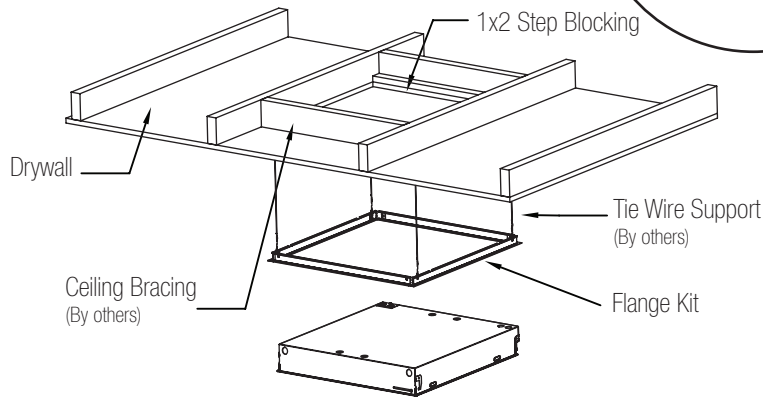
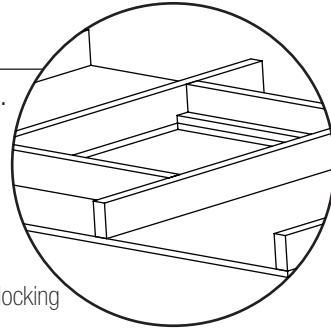
CONVERJ T5/ T5HO & T8 Inaccessible Installation

For Lamp/Ballast Maintenance See Separate Maintenance Sheet

Step 1:

Rough in

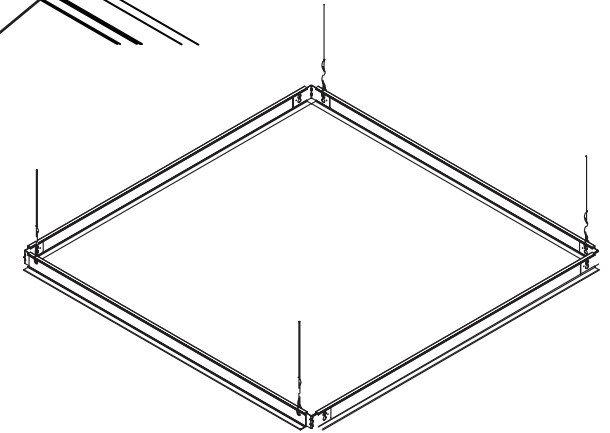
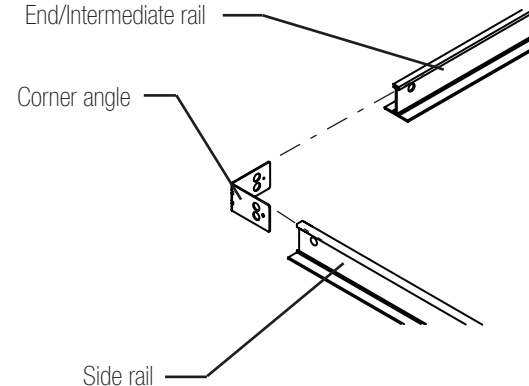
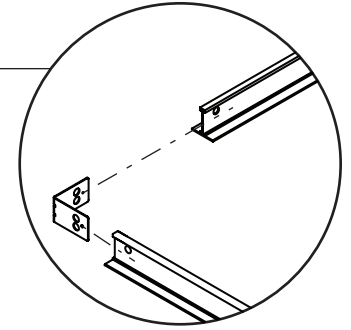
1. Build ceiling framing using Dim "A" and Dim "B".
2. Make appropriate cut out in drywall usings Dim "A" and DIM "C". (See Dimension chart below)
3. Install flange kit.



Step 2:

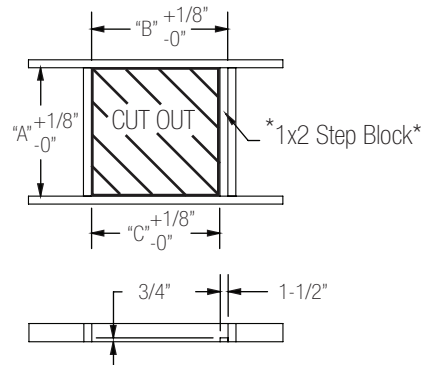
Setting up the Flange Kit

1. Slide (snap-lock) corner angles into the inboard side of the side and end/intermediate rails as shown.
2. Place assembled flange into ceiling opening and tie off to structure using tie wires (by others) on all four corners.



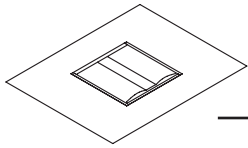
Dimension Chart

Fixture Size	Dim "A"	Dim "B"	Dim "C"
1x2	12-1/4"	25-3/4"	24-1/4"
1x4	12-1/4"	49-3/4"	48-1/4"
2x2	24-1/4"	25-3/4"	24-1/4"
2x4	24-1/4"	49-3/4"	48-1/4"



1. This product must be installed in accordance with applicable installation and electrical codes by a professional familiar with the construction and operation of the product.
2. Minimum 90°C supply conductors
3. All electrical connections must be performed by a certified electrician to applicable local and national electrical codes.
4. Contact Pinnacle prior to making any fixture alterations.
5. Contact Pinnacle with any installation questions or field issues.



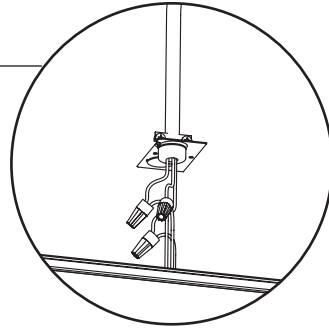
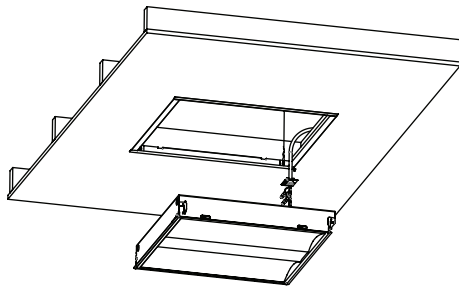


CONVERJ T5/ T5HO & T8 Inaccessible Installation

For Lamp/Ballast Maintenance See Separate Maintenance Sheet

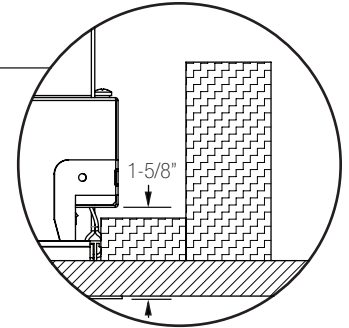
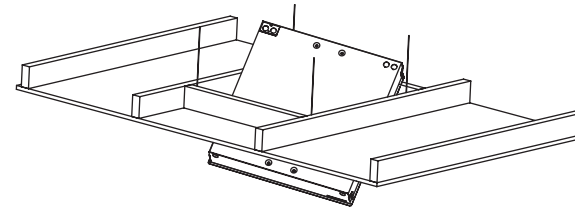
Step 3: Making the Connections

1. Remove electrical cover, remove knockout, attach building supplied conduit.
2. Make electrical connections, recess wires into fixture cavity and attach cover.



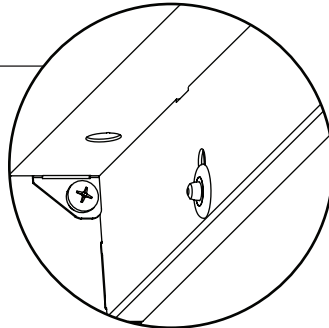
Step 4: Install Fixture into Ceiling

1. After wiring the fixture and checking all connections, carefully install fixture by angling it up through drywall frame kit and rest the housing on it.



Step 5: Installing Lamps

1. Gently push lens up to locate plunger heads (located on one side only), depress both plunger heads with fingers and simultaneously pull door frame down.
2. One-piece door frame swings open allowing access to lamps.



1. This product must be installed in accordance with applicable installation and electrical codes by a professional familiar with the construction and operation of the product.
2. Minimum 90°C supply conductors
3. All electrical connections must be performed by a certified electrician to applicable local and national electrical codes.
4. Contact Pinnacle prior to making any fixture alterations.
5. Contact Pinnacle with any installation questions or field issues.

