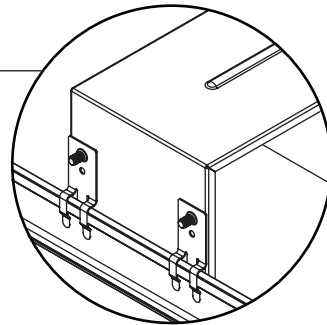


# CONVERJ 1x1 Grid Ceiling Installation

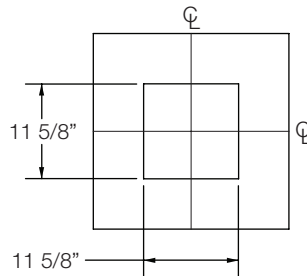
For Lamp/Ballast Maintenance See Separate Maintenance Sheet

## Step 1: Preparing the Tile

1. Install IDS clips on T-grid 9-3/8" from inner side of grid and 3" apart.
2. Cut out center of ceiling tile as shown.
3. Install mounting angle with (4) 1/4-20x1/2 bolts through IDS clips.

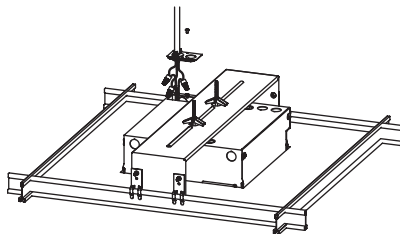
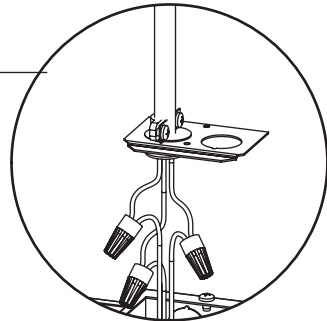


2x2 Tile Cut-out dimensions



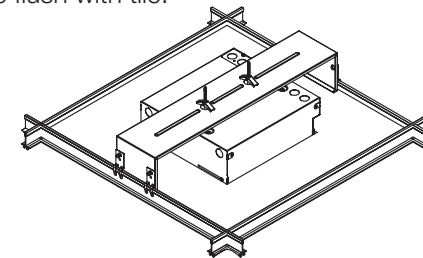
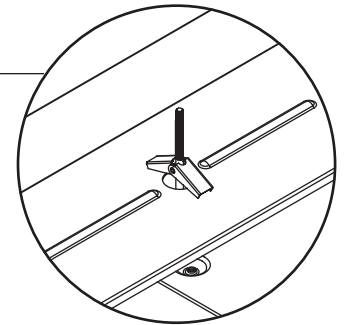
## Step 3: Making the Connections

1. Remove electrical cover, remove knockout, attach building supplied conduit.
2. Make electrical connections, recess wires into fixture cavity and attach cover.



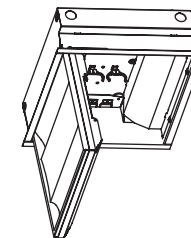
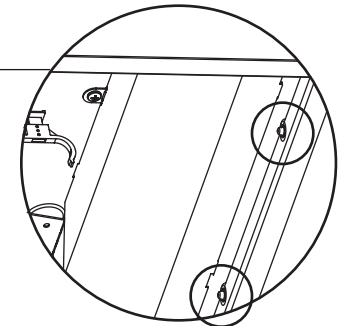
## Step 2: Mounting Fixture

1. Lift and shift fixture through opening in tile and secure by pushing toggle bolt through mounting angle holes until the toggle snaps open.
2. Pull back on screw to keep the wings from spinning while you tighten the screw. Tighten until flanges are flush with tile.



## Step 4: Installing Lamps

1. Gently push lens up to locate plunger heads (located on one side only), depress both plunger heads with fingers and simultaneously pull door frame down.
2. One-piece door frame swings open allowing access to lamps.



1. This product must be installed in accordance with applicable installation and electrical codes by a professional familiar with the construction and operation of the product.
2. Minimum 90°C supply conductors
3. All electrical connections must be performed by a certified electrician to applicable local and national electrical codes.
4. Contact Pinnacle prior to making any fixture alterations.
5. Contact Pinnacle with any installation questions or field issues.