

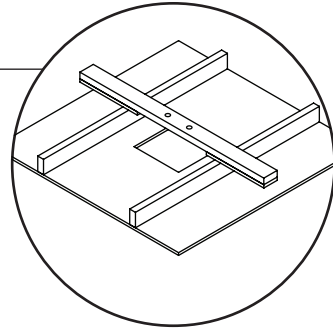
CONVERJ 1x1 Inaccessible Installation

For Lamp/Ballast Maintenance See Separate Maintenance Sheet

Step 1:

Prepare the Brace and the Opening

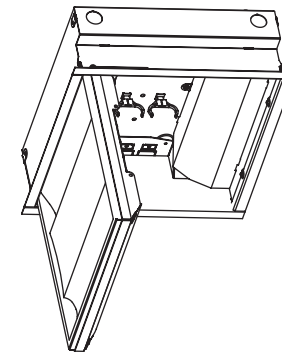
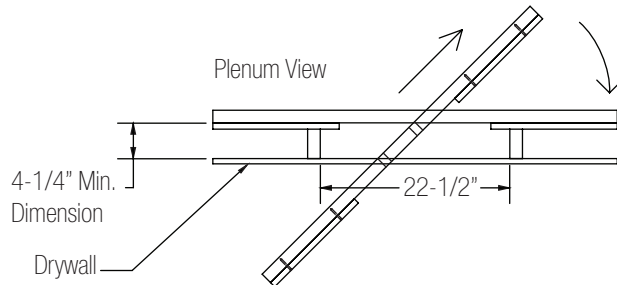
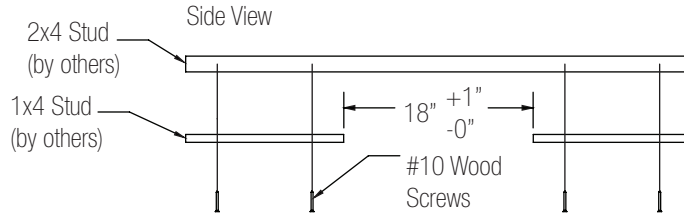
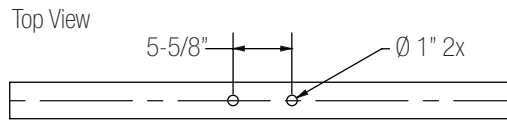
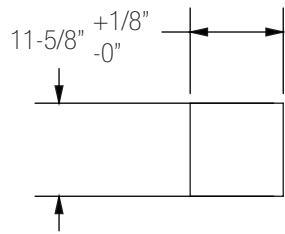
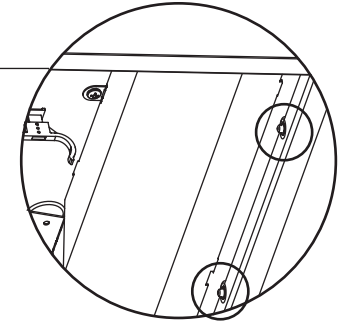
1. Cut an 11-5/8" square opening in the drywall.
2. Drill 2x 1" diameter holes on 2x4 stud.
3. Cut 2 pieces of 1x4 stud attach them to the 2x4 stud already drilled using #10 wood screws.
4. Insert pre-drilled stud through drywall opening and let rest on ceiling bracing.



Step 2:

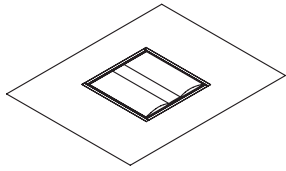
Opening Lens

1. Gently push lens up to locate plunger heads (located on one side only), depress both plunger heads with fingers and simultaneously pull door frame down.
2. One-piece door frame swings open allowing access to lamps.



1. This product must be installed in accordance with applicable installation and electrical codes by a professional familiar with the construction and operation of the product.
2. Minimum 90°C supply conductors
3. All electrical connections must be performed by a certified electrician to applicable local and national electrical codes.
4. Contact Pinnacle prior to making any fixture alterations.
5. Contact Pinnacle with any installation questions or field issues.



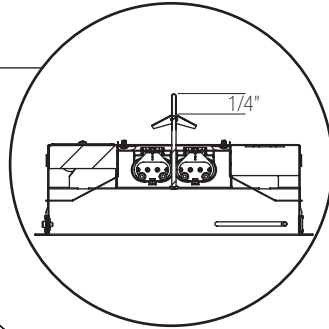
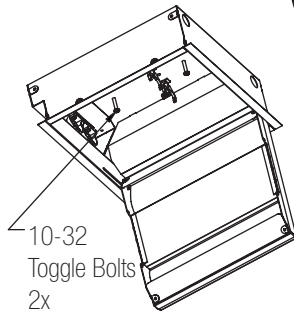


CONVERJ 1x1 Inaccessible Installation

For Lamp/Ballast Maintenance See Separate Maintenance Sheet

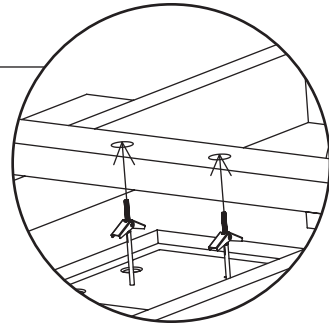
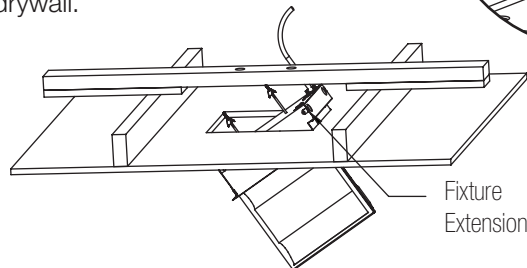
Step 3: Installing Toggle Bolts

1. After opening the fixture install bolts through the fixture.
2. Thread the toggle 1/4" max. allowing the threads of the bolt to keep the toggle from turning sideways.



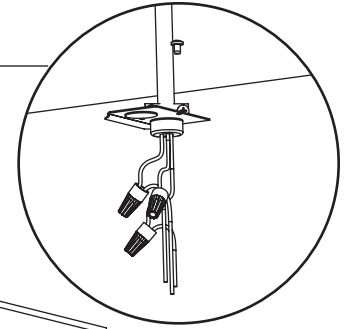
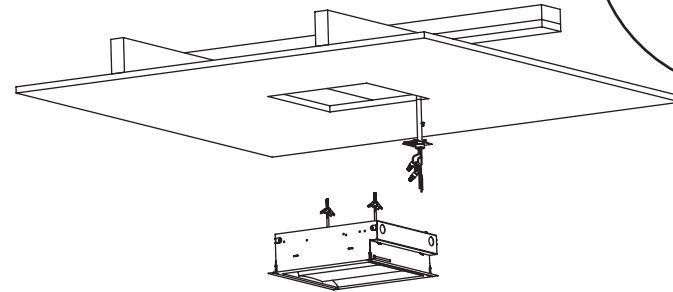
Step 5: Installing into Ceiling

1. Install fixture by angling it up through drywall opening.
2. Secure by pushing toggle bolt through pre-drilled wood until you hear or feel the toggle snap open.
3. Tighten the screw until the housing flanges are flat with the drywall.



Step 4: Making the Connections

1. Remove electrical cover, remove knockout, attach building supplied conduit.
2. Make electrical connections, recess wires into fixture cavity and attach cover.



1. This product must be installed in accordance with applicable installation and electrical codes by a professional familiar with the construction and operation of the product.
2. Minimum 90°C supply conductors
3. All electrical connections must be performed by a certified electrician to applicable local and national electrical codes.
4. Contact Pinnacle prior to making any fixture alterations.
5. Contact Pinnacle with any installation questions or field issues.