

CONSTRUCTION Formed 20 gauge cold rolled steel housing. Highly reflective die-formed white painted reflector. Wiring access available on both side and top of housing.

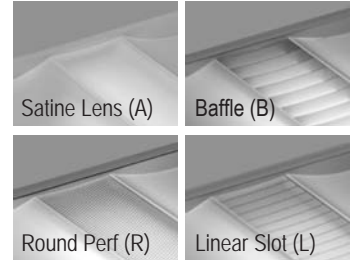
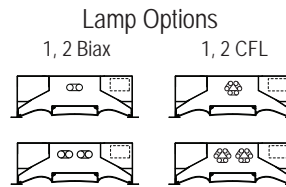
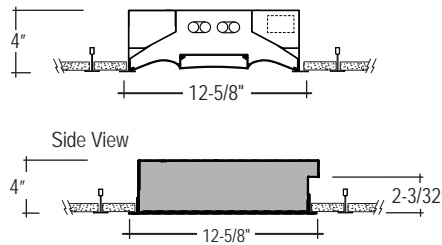
OPTICS Unique twin-arched wings and articulated center spine utilize a proprietary layered lens creating a fully luminous housing with optimal glare control. High reflective white reflectors maintain uniform lens brightness.

ELECTRICAL Instant Start (available only with 18W Biax): 120-277 integral electronic ballast with less than 20% THD. Program Rapid Start: 120-277 volt integral electronic ballast with less than 10% THD. Standard single circuit. Each ballast provided with disconnects to meet luminaire disconnect code requirement.

MOUNTING Converj 1x1 is designed to install into acoustical grid and inaccessible ceilings. Consult factory for detailed installation instructions.

FINISH Powder-coat white painted finish on exposed trim.

LABELS UL and cUL Listed, approved for dry/damp location unless otherwise noted.



LUMINAIRE SPECIFICATION

Sample Catalog #: CJ11A-1BX18-G1-120-1C-W

HOUSING	LAMPS	MOUNTING	VOLTAGE	CIRCUIT/WIRING ³	FINISH	OPTIONS
CJ11A- Converj 1X1 Recessed with Satine Lens	Program Rapid Start Ballast 1BX18RS- (1) 18W Biax 2BX18RS- (2) 18W Biax	Acoustical Grid Ceiling G1- Grid Ceiling (Hanger bracket available in 2' width. Grid mounting in the middle of tile only)	120- 120V 277- 277V 347- 347V ¹ UNV- UNV (120/277)	1C- Single Circuit, Normal 2C- Dual Circuit, Normal ³ 1D- Single Circuit with Dimming Ballast (CFL only) ³ 2D- Dual Circuit with Dimming Ballast (CFL only) ³	W- White	TW- Through-Wired ² DSM- Remote Daylight Sensor Master - Sensor Included (CFL) ⁴ DSS- Remote Daylight Sensor Satellite - Sensor Not Included (CFL) ⁴ GLR- Internal Fast-Blow Fuse CP- Chicago Plenum FW6- 6', 18-gauge, Flex Whip FW12-12', 18-gauge, Flex Whip AM- Antimicrobial Paint
CJ11R- Converj 1X1 Recessed with Round Perf	1CF26RS- (1) 26W CFL 2CF26RS- (2) 26W CFL	Inaccessible Ceiling		1B- Single Circuit with Remote Battery Pack (CFL only) ³		
CJ11L- Converj 1X1 Recessed with Linear Slot	1CF32RS- (1) 32W CFL 1CF42RS- (1) 42W CFL	FL- Standard Flange				
CJ11B- Converj 1X1 Recessed with Baffle	Instant Start Ballast 1BX18IS- (1) 18W Biax 2BX18IS- (2) 18W Biax					

¹Consult factory for 347 volt ballast.

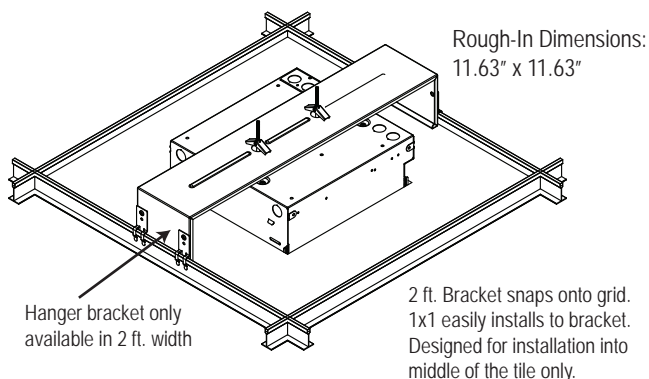
²Individual fixtures are through-wired for continuous pattern. Fixtures cannot be joined.

³Some Converj configurations will not accommodate all options. Consult factory.

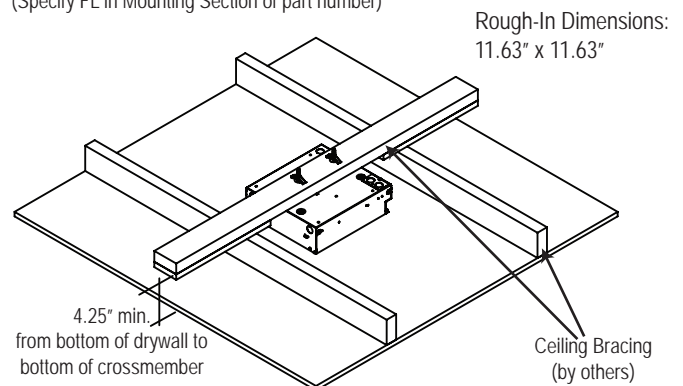
⁴DSM includes fixture with remote sensor and dimming ballast. Controls DSS units (up to 19 dimming ballasts). Specify 1D or 2D (0-10v) in Circuiting section of part number. DSS includes fixture with a sensor compatible dimming ballast only. Must be used in conjunction with a DSM unit. Specify 1D or 2D (0-10v) in Circuiting section of part number.

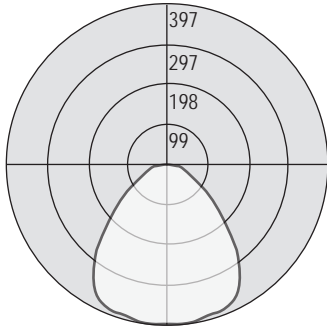
MOUNTING DETAIL

Plenum View of Acoustical Grid Ceiling Installation
(Specify G1 in Mounting Section of part number)

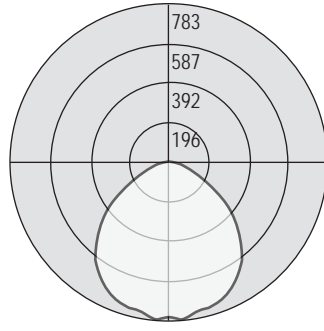


Plenum View of Inaccessible Ceiling Installation
(Specify FL in Mounting Section of part number)

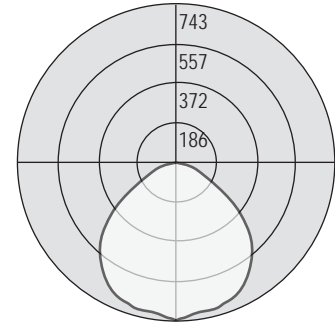




Test # 203274
Lamp: (1) 18W Biax
Total Luminaire Efficiency: 75.1%



Test # 203275
Lamp: (2) 18W Biax
Total Luminaire Efficiency: 70.7%



Test # 203273
Lamp: (1) 32W CFL
Total Luminaire Efficiency: 73.7%

FEATURES AND OPTIONS

• REMOTE DAYLIGHT SENSOR

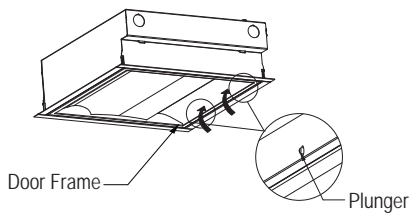


APPLICATION: Daylight sensor is a turn key solution for lighting control. Remote sensor is easily wired to the 0-10 volt dimming ballast installed in the fixture.

DAYLIGHT SENSOR: Daylight sensor dims lights based on electric light and presence of daylight. Sensor can control up to 20 dimming ballasts. Sensor is factory calibrated to 45 footcandles (fc), adjustable by 1/3 to 3 times the default setting by rotating the aperture. Daylight kit includes sensor and cover plate.

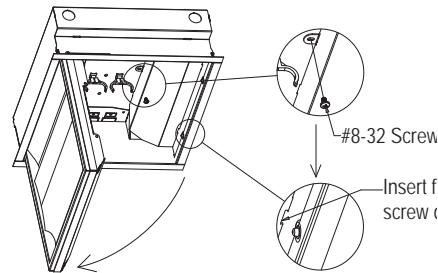
ORDERING INFORMATION: Specify "DSM" or "DSS" in the Options section of the part number when ordering Remote Daylight Sensor. Remote Daylight Sensor Master (DSM) includes the fixture with remote sensor and dimming ballast. Controls DSS units. Remote Daylight Sensor Satellite (DSS) includes the fixture with a sensor compatible dimming ballast only. Must be used in conjunction with a DSM unit. 1D or 2D (0-10v) dimming must also be specified. (Sample Catalog #: CJ11A-CF26-G1-120-1D-W-DSM)

• LAMP MAINTENANCE

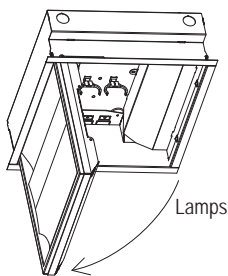


OPENING THE LENS: Push lens up to locate plungers. Plungers are above the lens on the inside of the fixture. Depress both plunger heads with fingers and simultaneously pull door frame down.

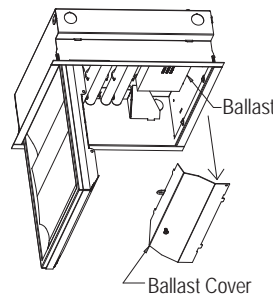
• BALLAST MAINTENANCE



REMOVING BALLAST SCREWS: Remove screw holding the ballast cover to fixture. Remove cover by inserting a flat screw driver through the slot.



ACCESSING THE LAMPS: Lamps are accessible once lens is open. Door frame remains captive to fixture housing during lamp maintenance.



REMOVING BALLAST TRAY: Ballast cover easily comes off. Ballast is now accessible from room side of fixture.