

Adeo T5/T8 Maintenance Sheet

Figure 1

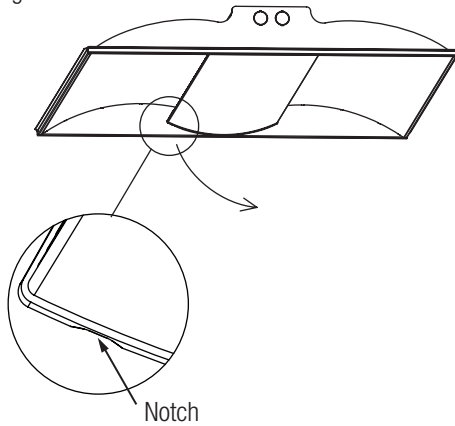
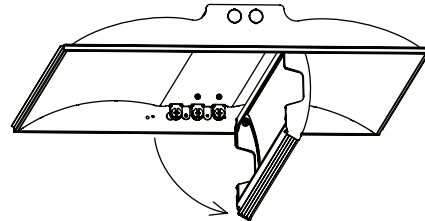


Figure 2



Access to lamps

1. Disconnect power.
2. Locate lens notch (located on one side only) and pull lens down from that side (Fig 1).
3. Lens swings open allowing access to lamps (Fig 2).
4. Lens remains captive to fixture during lamps/ballast maintenance (Fig 2).

Lens Cleaning

1. Open lens (as instructed)
2. Lens remains captive to fixture during maintenance/cleaning.
3. Wipe top and bottom of lenses with Isopropyl alcohol and a clean rag (DO NOT USE AMMONIA).
4. Close by rotating and pushing lens up until it snaps in place.

Figure 1

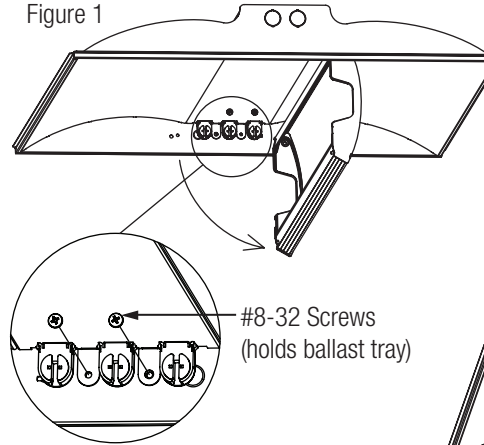
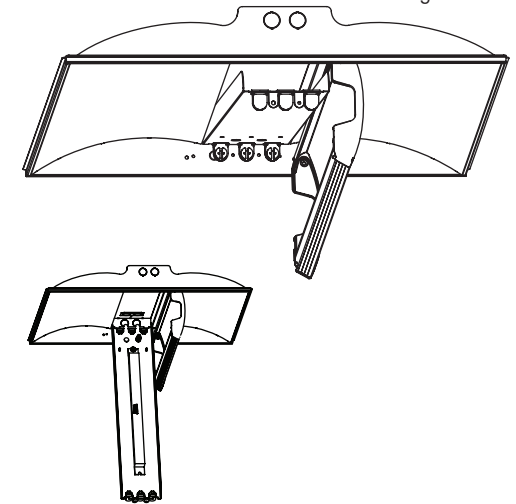


Figure 2



Access to ballast

1. Disconnect power.
2. To access the ballast, remove #8-32 screws (fig. 1).
3. Pull ballast tray off as shown (fig. 2) and ballast will be fully accessible.
4. Reverse step 2 prior to closing lens.
5. Close by rotating and pushing lens up until it snaps in place.

1. This product must be installed in accordance with applicable installation and electrical codes by a professional familiar with the construction and operation of the product.
2. Minimum 90°C supply conductors.
3. All electrical connections must be performed by a certified electrician to applicable local and national electrical codes.
4. Contact Pinnacle prior to making any fixtures alterations.
5. Contact Pinnacle with any installation questions or field issues.

