

Adeo
shallow

2x2 and 2x4 T5 Maintenance Sheet

Figure 1

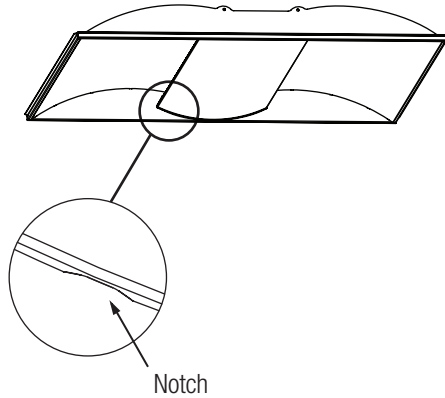
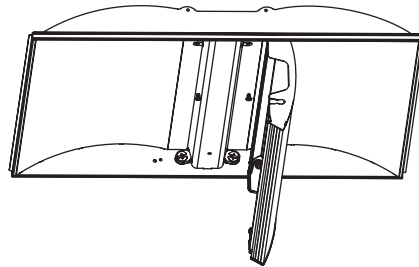


Figure 2



Access to lamps

1. Disconnect power.
2. Locate lens notch (located on one side only) and pull lens down from that side (Fig 1).
3. Lens swings open allowing access to lamps (Fig 2).
4. Lens remains captive to fixture during lamps/ballast maintenance (Fig 2).

Lens Cleaning

1. Open lens (as instructed)
2. Lens remains captive to fixture during maintenance/cleaning.
3. Wipe top and bottom of lenses with Isopropyl alcohol and a clean rag (DO NOT USE AMMONIA).
4. Close lens by rotating and pushing lens up until it snaps in place.

Figure 1

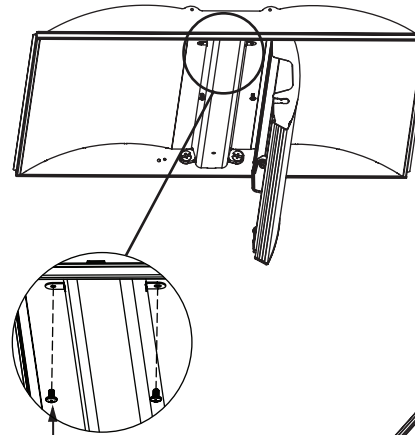
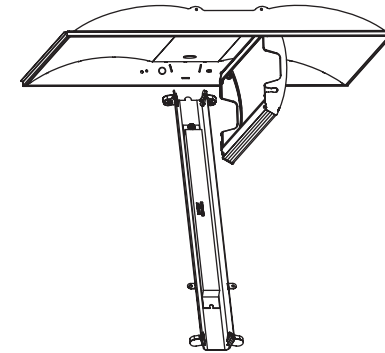
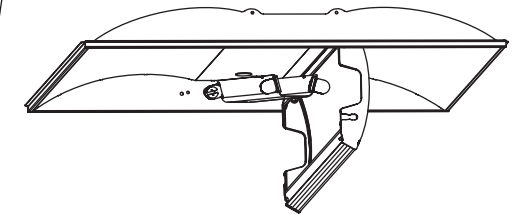


Figure 2



#8-32 Screws
(holds ballast tray)

Access to ballast

1. Disconnect power.
2. To access the ballast, remove #8-32 screws (fig. 1).
3. Pull ballast tray off as shown (fig. 2) and ballast will be fully accessible.
4. Reverse step 2 prior to closing lens.
5. Close by rotating and pushing lens up until it snaps in place.

