

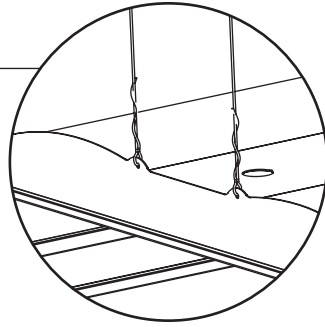
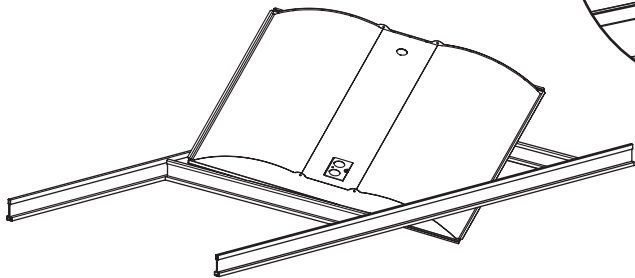
Adeo
shallow

T5/T5HO Grid Ceiling Installation

For Lamp/Ballast Maintenance See Separate Maintenance Sheet

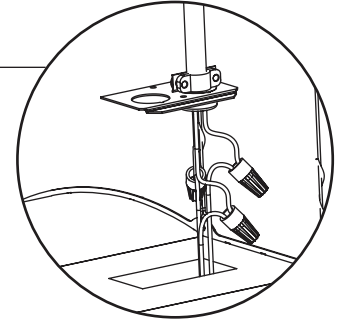
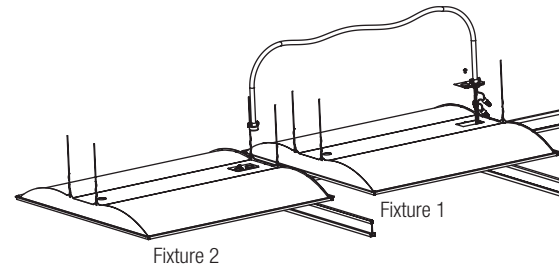
Step 1: T-Grid Installation

1. Position fixture up through grid opening.
2. Lower fixture so fixture flanges rest on T-Grid.
3. Tie off fixture to structure with retention wires (by others).



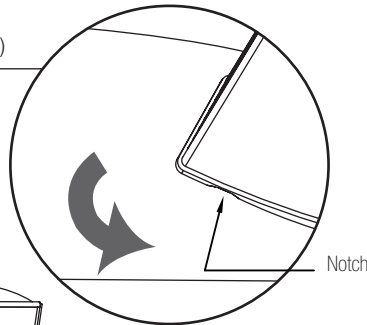
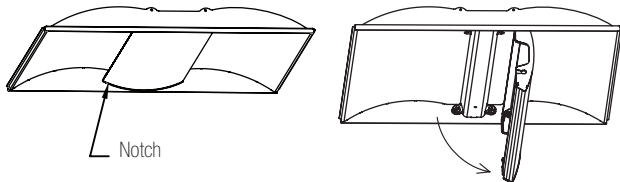
Step 2: Making the Connections

1. Remove electrical cover, remove knockout, attach building supplied conduit.
2. Make electrical connections, recess wires into fixture cavity and attach cover.



Step 3: Installing Lamps (for AS14 see separate maintenance sheet)

1. Locate notch on lens endcap, pull down from notched side of lens to open.
2. Lens remains captive to fixture for lamp installation and maintenance.



Through-wiring Option *shown with optional flex whip.

1. Pull wiring from fixture 1 into fixture 2 using whip assembly with snap in connectors.
2. Make wiring connections in fixture 2.

