

# Adeo T8 Inaccessible Installation

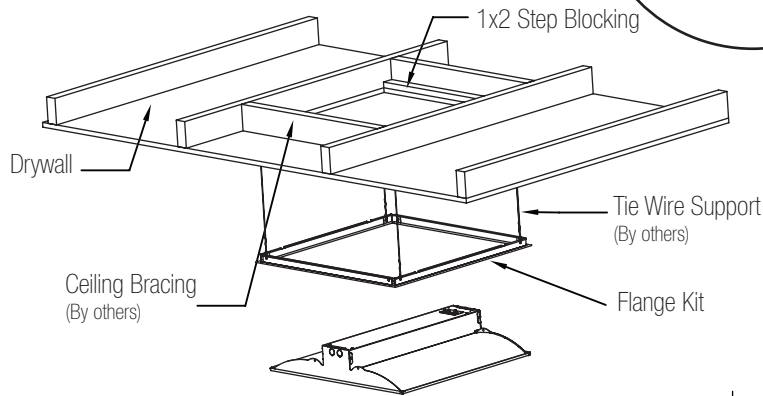
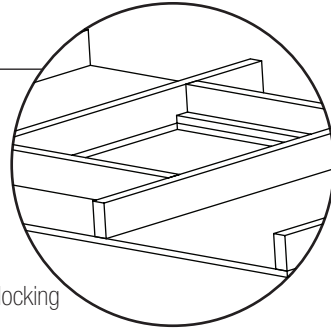
For Lamp/Ballast Maintenance See Separate Maintenance Sheet

\* T8 Fixture has housing extension. Read instructions to accommodate for extension.

## Step 1:

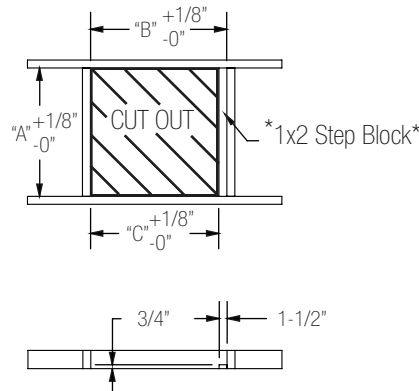
### Rough in

1. Build ceiling framing using Dim "A" and "B"
2. Make appropriate cut out in drywall using Dim "A" and "C" (see dimension chart below).
3. Install flange kit.



Dimension Chart

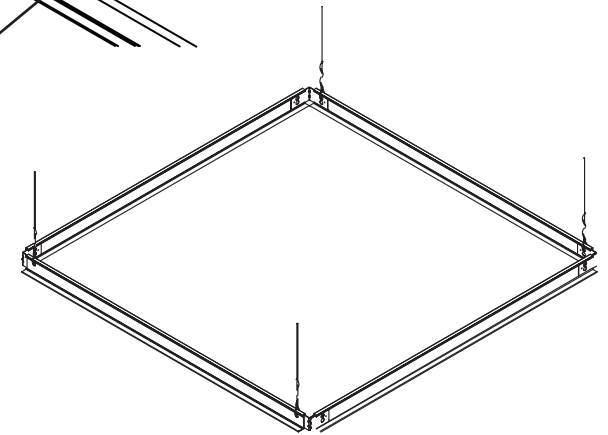
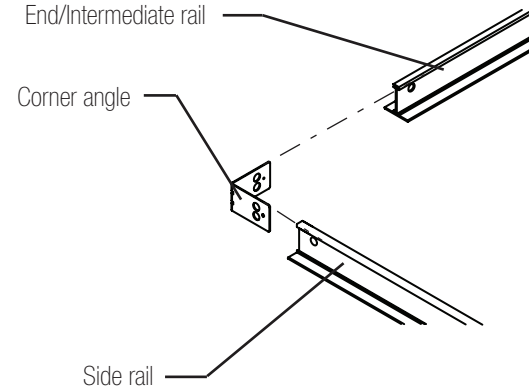
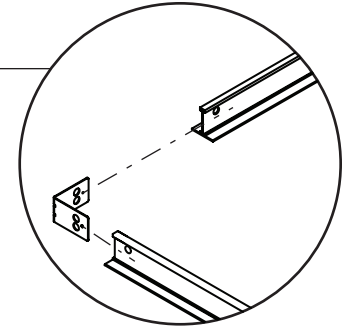
Fixture Size	Dim "A"	Dim "B"	Dim "C"
1x4	12-1/4"	49-3/4"	48-1/4"
2x2	24-1/4"	25-3/4"	24-1/4"
2x4	24-1/4"	49-3/4"	48-1/4"



## Step 2:

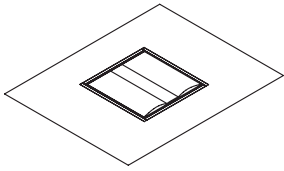
### Setting up the Flange Kit

1. Slide (snap-lock) corner angles into the inboard side of the side rail and end/intermediate rail as shown.
2. Place assembled flange into ceiling opening and tie off to structure using tie wires (by others) on all four corners.



1. This product must be installed in accordance with applicable installation and electrical codes by a professional familiar with the construction and operation of the product.
2. Minimum 90°C supply conductors.
3. All electrical connections must be performed by a certified electrician to applicable local and national electrical codes.
4. Contact Pinnacle prior to making any fixtures alterations.
5. Contact Pinnacle with any installation questions or field issues.





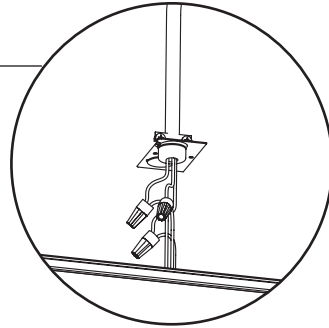
# Adeo T8 Inaccessible Installation

For Lamp/Ballast Maintenance See Separate Maintenance Sheet

\* T8 Fixture has housing extension. Read instructions to accommodate for extension.

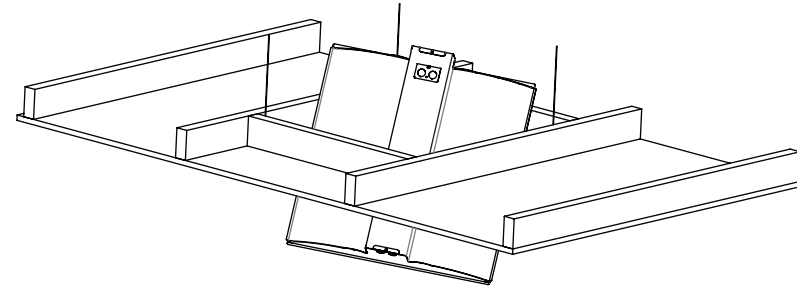
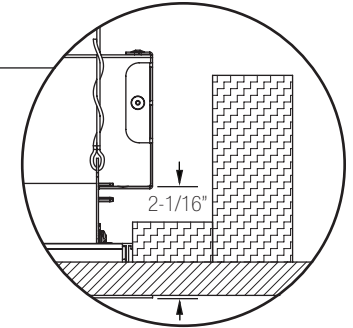
### Step 3: Making the Connections

1. Remove electrical cover, remove knockout, attach building supplied conduit.
2. Make electrical connections, recess wires into fixture cavity and attach cover.



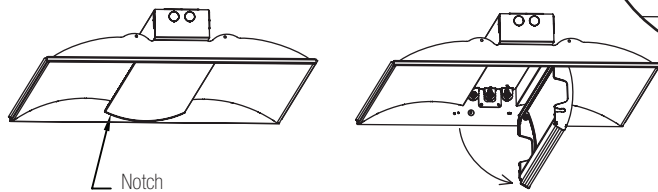
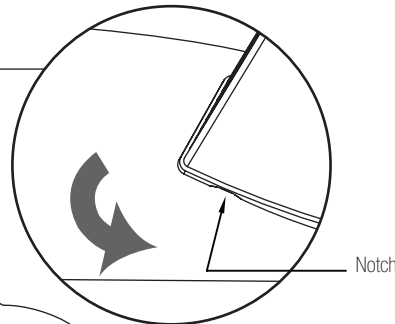
### Step 4: Install Fixture into Ceiling

1. After wiring the fixture and checking all connections, carefully install fixture by angling it up through drywall frame kit and rest the housing on the frame.



### Step 5: Installing Lamps

1. Locate notch on lens endcap, pull down from notched side of lens to open.
2. Lens remains captive to fixture for lamp installation and maintenance.



1. This product must be installed in accordance with applicable installation and electrical codes by a professional familiar with the construction and operation of the product.
2. Minimum 90°C supply conductors.
3. All electrical connections must be performed by a certified electrician to applicable local and national electrical codes.
4. Contact Pinnacle prior to making any fixtures alterations.
5. Contact Pinnacle with any installation questions or field issues.

