

Figure 1

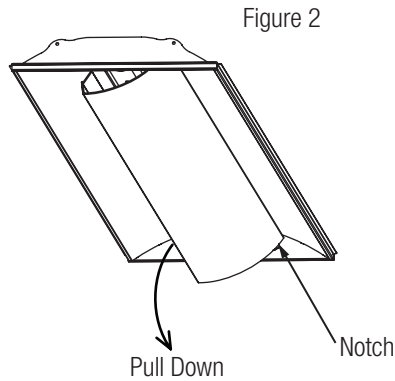


Figure 2

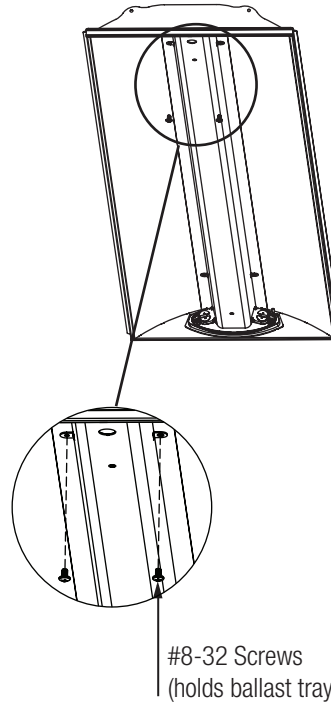
Access to lamps

1. Disconnect power.
2. Locate lens notch (located on one side only) and pull lens down from opposite side of notch (Fig 1).
3. Pull down inside of lens to release and lens will slide off of end cap. Once lens is fully removed, lamps are accessible.

Lens Cleaning

1. Remove lens (as instructed)
2. Wipe top and bottom of lenses with Isopropyl alcohol and a clean rag (DO NOT USE AMMONIA).
3. Re-install by lens slide one end over endcap and gently pull other side over other end of endcap.

Figure 1



#8-32 Screws
(holds ballast tray)

Access to ballast

1. Disconnect power.
2. To access the ballast, remove #8-32 screws (fig. 1).
3. Pull ballast tray off as shown (fig. 2) and ballast will be fully accessible.
4. Reverse step 2 prior to re-installing lens.
5. To re-install lens slide one end over endcap and gently pull other side over other end of endcap.

Figure 2

