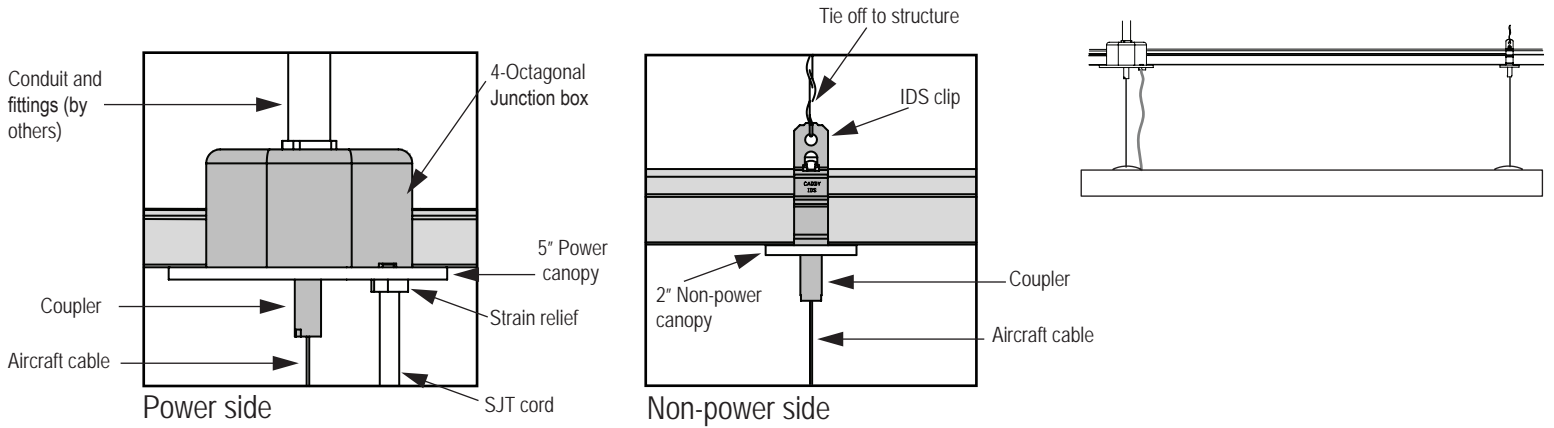


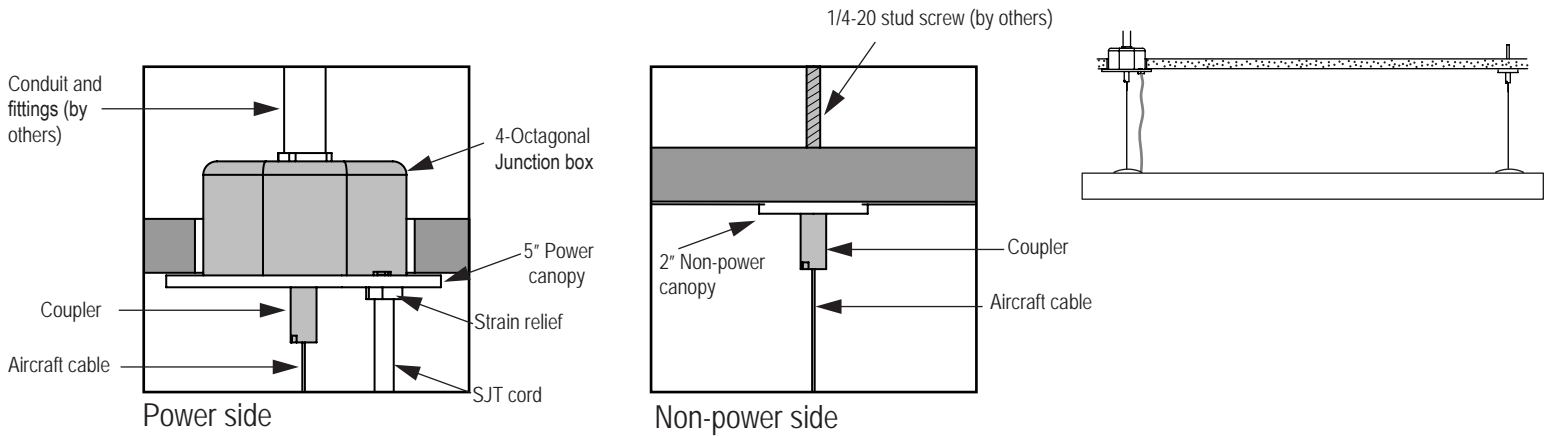
### Aircraft Cable to Grid Ceiling (AC\_G\_)

Utilize with on-grid mounting with acoustical grid ceiling



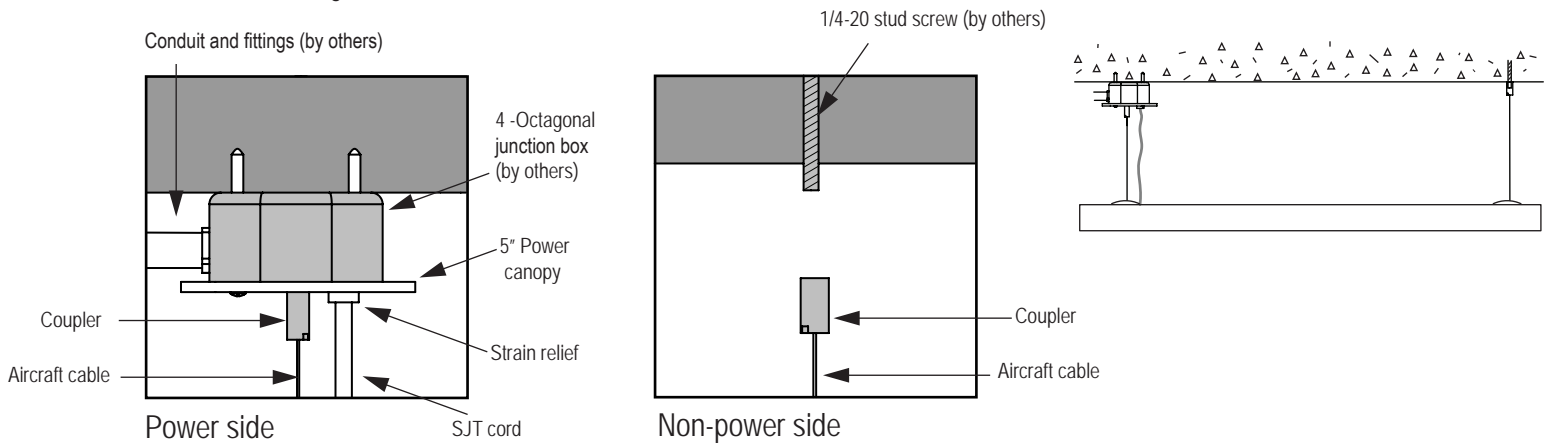
### Aircraft Cable to Junction Box (AC\_JB)

Utilize with sheet rock and off grid acoustical grid ceiling



### Aircraft Cable to Structure (AC\_ST)

Utilize for inaccessible hard ceiling

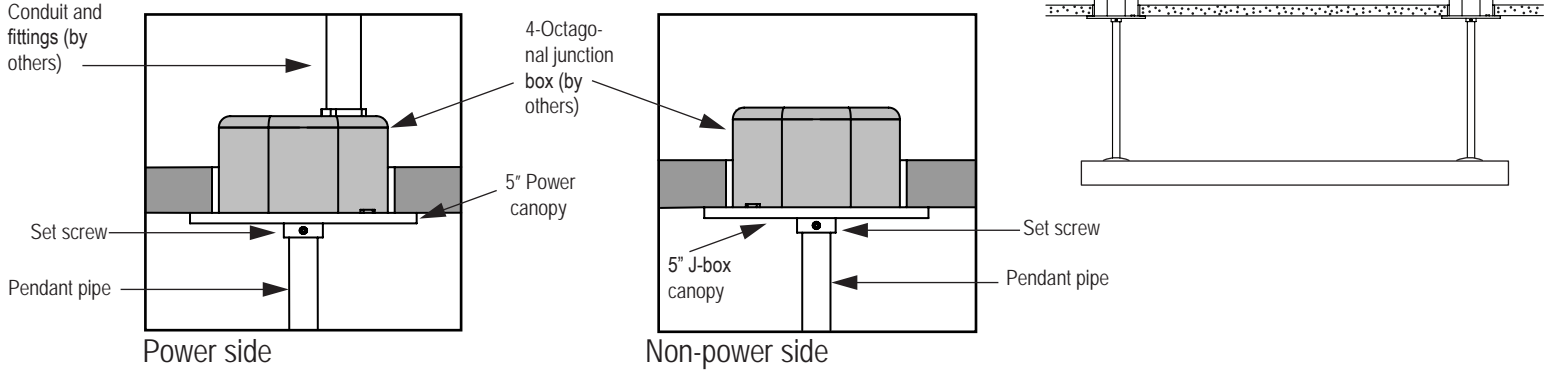


#### Warnings:

1. This product must be installed in accordance with applicable installation and electrical codes by a professional familiar with the construction and operation of the product and the hazards involved.
2. Minimum 90°C supply conductors.
3. All electrical connections must be performed by a certified electrician to applicable local and national electrical codes.
4. Contact Pinnacle prior to making any fixture alterations.
6. Contact Pinnacle with any installation questions or field issues.

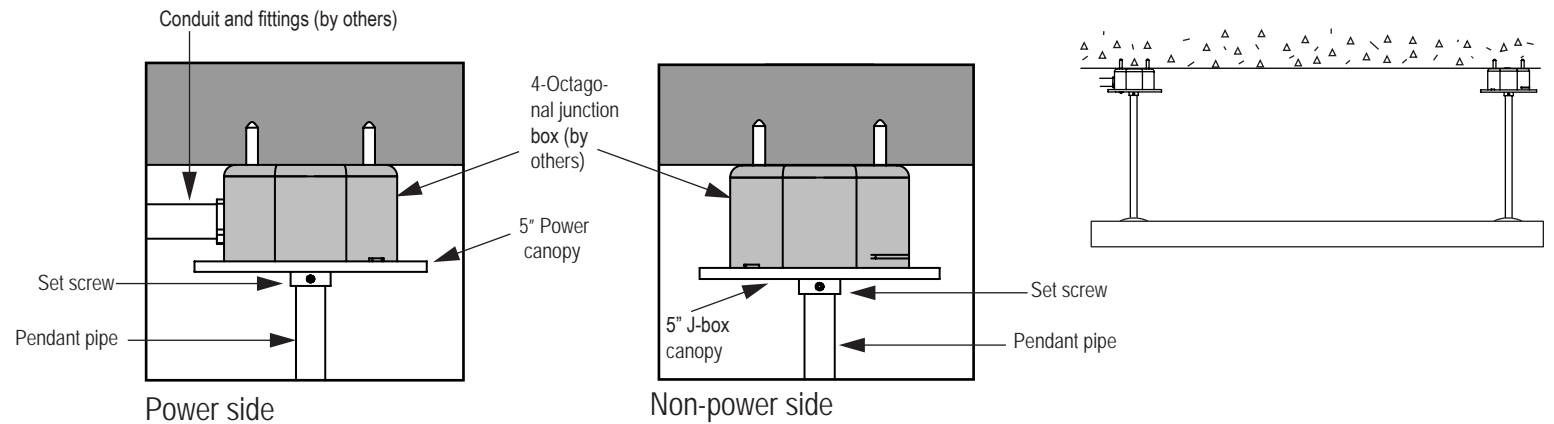
### Pendant Pipe to Junction Box (PP\_JB)

Utilize with sheet rock and off grid acoustical grid ceiling



### Pendant Pipe to Structure (PP\_ST)

Utilize for inaccessible hard ceiling



#### Warnings:

1. This product must be installed in accordance with applicable installation and electrical codes by a professional familiar with the construction and operation of the product and the hazards involved.
2. Minimum 90°C supply conductors.
3. All electrical connections must be performed by a certified electrician to applicable local and national electrical codes.
4. Contact Pinnacle prior to making any fixture alterations.
6. Contact Pinnacle with any installation questions or field issues.